



Lon: -117°15'41.13"W

Lat: 32°59'36.25N

SIGN PACKAGE - MARYSVILLE



RIDEOUT REGIONAL MEDICAL CENTER

**Rideout Regional Medical Center
726 4th Street
Marysville, CA 95901**

January 30, 2013 Revised: December 30, 2013

ENGINEERING NEEDED FOR SIGN TYPES:

- (9) G.1 - G.3 - PARKING SIGNS
- (26) G.5 - STOP SIGN
- (30) G.6 - TOW AWAY

QUANTITY & LOCATION TBD FOR SIGN TYPES:

- (10) G.2 - PARKING SIGN
- (12) H.1 - STAFF PARKING
- (27) H.5 - MAX IDLE
- (28) H.6 - FACILITIES
- (29) H.7 - AUXILIARY
- (30) G.6 - TOW AWAY

WALL & ELEVATION DETAILS REQUIRED FOR SIGN TYPES:

- (21.1) K - RIDEOUT CABINET
- (21.2) K - AMBULANCE ENTRANCE
- (24.1) N - EMERGENCY CHANNEL LETTERS

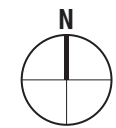
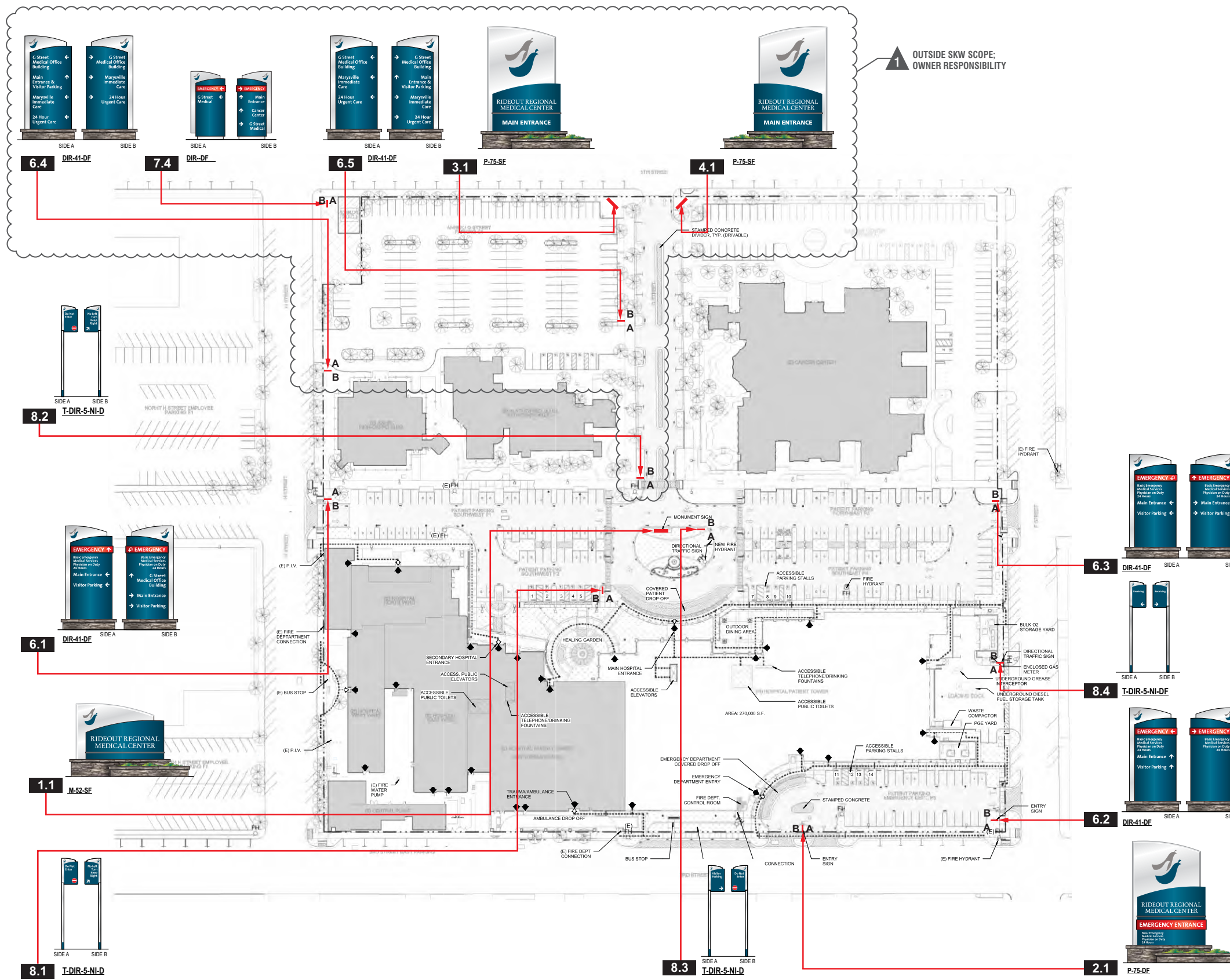
MISC:

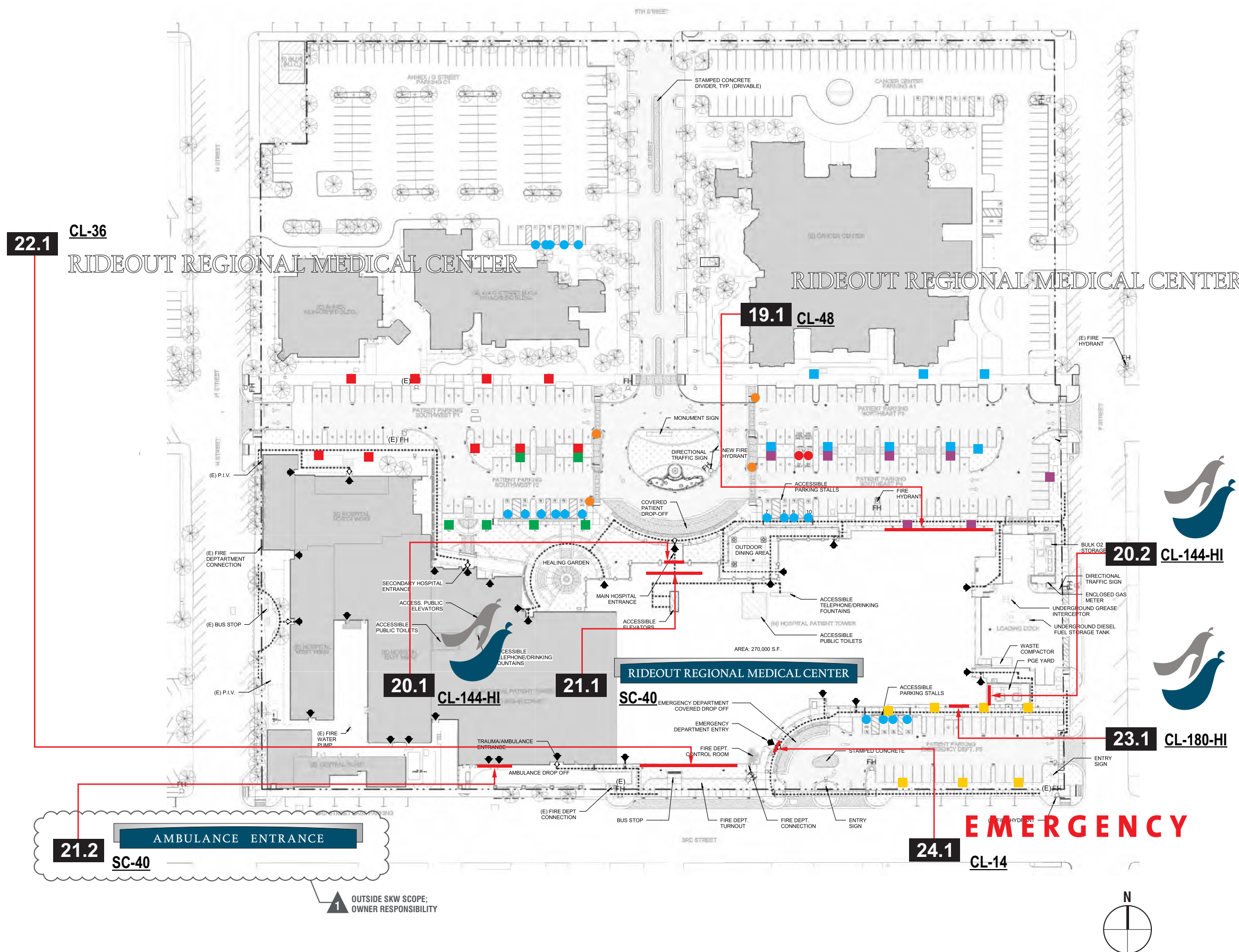
- EXISTING LIGHT POLES FOR SIGN TYPE H TO BE SURVEYED
- NEED ADDRESS & PHONE # FOR SIGN TYPE G.6 (30) - TOW AWAY



SIGN SCHEDULE				
Proposed Sign Inventory				
Site #	#	Sign Code	Description	Qty
RRMC	1.1	M-52-SF	Monument Sign - Sign Type A	1
RRMC	2.1	P-75-DF	Pylon Sign - Sign Type B.1	1
RRMC	3.1	P-75-SF	Pylon Sign - Sign Type B.2.1	1
RRMC	4.1	P-75-SF	Pylon Sign - Sign Type B.2.2	1
RRMC	6.1 - 6.5	DIR-41-DF	Directional Sign - Sign Type D	5
RRMC	7.4	DIR-23-DF	Directional Sign - Sign Type E	1
RRMC	8.1 - 8.4	DIR-23-DF	Tertiary Directional Sign - Sign Type F	4
RRMC	9.1	INFO-VP-1.5-NI-SF	Parking/Info Sign - Sign Type G.1	1
RRMC	9.2	INFO-VP-1.5-NI-SF	Parking/Info Sign - Sign Type G.1	1
RRMC	10	INFO-EL-1.5-NI-SF	Parking/Info Sign - Sign Type G.2	TBD
RRMC	11.1 - 11.19	INFO-HC-1.5-NI-SF	Parking/Info Sign - Sign Type G.3	19
RRMC	12	PARKID-EMPL-5-NI-SF	Parking ID Sign - Sign Type H.1	TBD
RRMC	13.1 - 13.9	PARKID-P1-5-NI-SF	Parking ID Sign - Sign Type H.2	9
RRMC	14.1 - 14.6	PARKID-P2-5-NI-SF	Parking ID Sign - Sign Type H.2	6
RRMC	15.1 - 15.8	PARKID-P3-5-NI-SF	Parking ID Sign - Sign Type H.2	8
RRMC	16.1 - 16.7	PARKID-P4-5-NI-SF	Parking ID Sign - Sign Type H.2	7
RRMC	18.1 - 18.7	PARKID-ED-5-NI-SF	Parking ID Sign - Sign Type H.4	7
RRMC	19.1	CL-48	Channel Letters - Sign Type I	1
RRMC	20.1	CL-144-HI	Channel Logo - Sign Type J	1
RRMC	20.2	CL-144-HI	Channel Logo - Sign Type J	1
RRMC	21.1	SC-40-SF	Sign Cabinet - Sign Type K	1
RRMC	21.2	SC-40-SF	Sign Cabinet - Sign Type K	1
RRMC	22.1	CL-36	Channel Letters - Sign Type L	1
RRMC	23.1	CL-180-HI	Channel Letters - Sign Type M	1
RRMC	24.1	CL-14	Channel Letters - Sign Type N	1
RRMC	26.1 - 26.4	INFO-STOP-2.0-NI-SF	Parking/Info Sign - Sign Type G.5	4
RRMC	27	MAX IDLE-NI-SF	Parking ID Sign - Sign Type H.5	TBD
RRMC	28	FACILITIES-NI-SF	Parking ID Sign - Sign Type H.6	TBD
RRMC	29	AUXILIARY-NI-SF	Parking ID Sign - Sign Type H.7	TBD
RRMC	30	TOW AWAY-NI-SF	Parking/Info Sign - Sign Type G.6	TBD

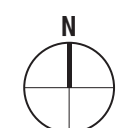
REVISION NOTES		
1. updated to new font choice for all main ID signs.		07/08/11 CH
2. revised various sign for copy changes.		07/11/11 CH
3. changed to signs 5.1, 7.1-7.3, 7.6, 8.1-8.3, & add 8.5.		03/05/12 CH
4. added new logo and finishes to ALL signs.		07/17/12 CH
5. revised various sign for copy changes & size changes.		09/14/12 CH
6. added evening view of South Building Elevation.		09/20/12 CH
7. revised sign design & changed logo color		01/30/13 RLG
8. Omitted Existing Signage & added Quantity List		02/12/13 RLG
9. Added additional details for exterior building signage		02/28/13 RLG
10. Updated mounting details for exterior building signage		07/08/13 RLG
10. Updated Sign Type G		07/18/13 RLG
10. Added Sign Types		12/02/13 RLG





- **9.1 9.2**
INFO-VP-1.5-NI-SF
- **11.1 - 11.19**
INFO-HC-1.5-NI-SF
- **26.1 - 26.4**
INFO-STOP-2.0-NI-SF
- **13.1 - 13.9**
PARKID-P1-5-NI-SF
- **14.1 - 14.6**
PARKID-P2-5-NI-SF
- **15.1 - 15.8**
PARKID-P3-5-NI-SF
- **16.1 - 16.7**
PARKID-P4-5-NI-SF
- **18.1 - 18.7**
PARKID-ED-5-NI-SF
- 10 **INFO-EL-1.5-NI-SF**
QTY. & LOCATIONS TBD
- 12 **PARKID-EMPL-5-NI-SF**
QTY. & LOCATIONS TBD
- 27 **MAX IDLE-NI-SF**
QTY. & LOCATIONS TBD
- 28 **FACILITIES-NI-SF**
QTY. & LOCATIONS TBD
- 29 **AUXILIARY-NI-SF**
QTY. & LOCATIONS TBD
- 30 **TOW AWAY-NI-SF**
QTY. & LOCATIONS TBD

EMERGENCY



1 OUTSIDE SKW SCOPE;
OWNER RESPONSIBILITY

FONTS

Foundry Old Style Medium

ABCDEFGHIJKLMNOPQRSTUVWXYZ
abcdefghijklmnopqrstuvwxyz

Foundry Old Style Book

ABCDEFGHIJKLMNOPQRSTUVWXYZ
abcdefghijklmnopqrstuvwxyz

Foundry Old Style Bold

ABCDEFGHIJKLMNOPQRSTUVWXYZ
abcdefghijklmnopqrstuvwxyz

Frutiger Regular

ABCDEFGHIJKLMNOPQRSTUVWXYZ
abcdefghijklmnopqrstuvwxyz

Frutiger Bold

ABCDEFGHIJKLMNOPQRSTUVWXYZ
abcdefghijklmnopqrstuvwxyz

THE SANS BOLD

ABCDEFGHIJKLMNOPQRSTUVWXYZ
abcdefghijklmnopqrstuvwxyz
1234567890

THE SANS ITALIC

ABCDEFGHIJKLMNOPQRSTUVWXYZ
abcdefghijklmnopqrstuvwxyz
1234567890

VENEERS



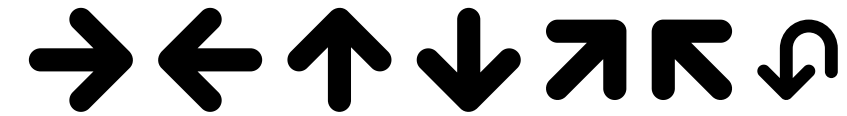
ELDORADO STONE®
BLUFFSTONE MINERET®



TOP CAP
MT. MARRIAH
[A & A Stepping Stone Manufacturing, Inc.
10291 Ophir Road, Newcastle, CA 95901
(530) 885-7481]

MORTAR
BASALITE TYPE S 225 (GRAY)

SYMBOLS



FINISHES & VINYL



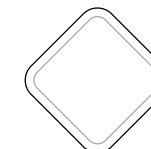
PAINTED TO MATCH PMS 3025C BLUE/GREEN (SATIN)



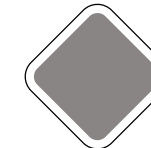
PAINTED TO MATCH PMS 186C RED (SATIN)
(3M 3630-53 CARDINAL RED - TRANSLUCENT)
(3M 3650-53 CARDINAL RED - OPAQUE)



PAINTED MATTHEWS BRUSHED ALUMINUM (SATIN)



PAINTED SATIN WHITE
(3M 3630-20 WHITE - TRANSLUCENT)
(3M 7725-10 WHITE - OPAQUE)
(3M 680-10 WHITE - REFLECTIVE)



MATTHEWS PAINT MP 28448
UMBRA GREY METALLIC LRV 31.5 (SATIN)



PAINTED TO MATCH PMS 7462C BLUE (SATIN)



3m 7725-47 INTENSE BLUE

SIGN SPECIFICATIONS

A BACK CABINET

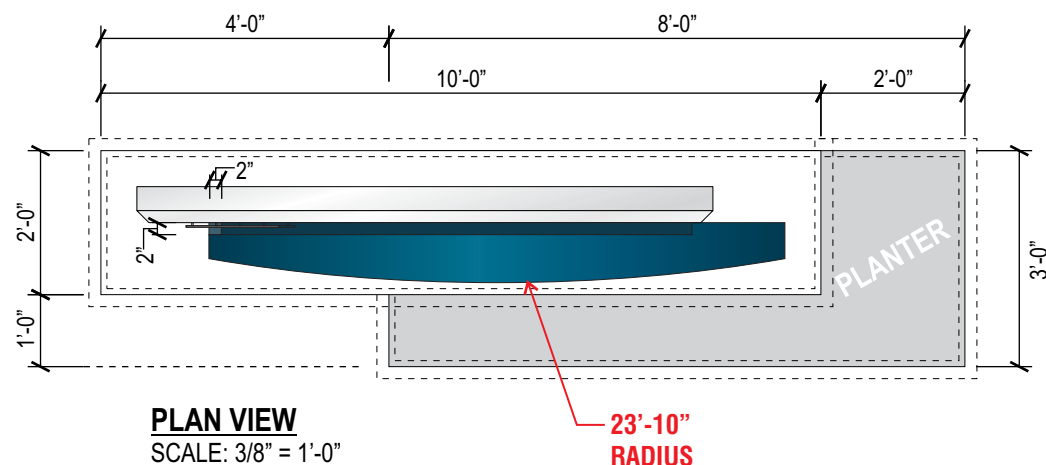
CABINET MATERIAL: .125" THICK ALUMINUM OVER 1 1/2" X 1 1/2" ALUMINUM ANGLE FRAME. FACE RETURNS OF CABINET TO BE BEVELED.
CABINET FINISH: PAINTED MATTHEWS BRUSHED ALUMINUM (SATIN)
CABINET DEPTH: 6"
FACE MATERIAL: .125" THICK ALUMINUM
FACE FINISH: PAINTED MATTHEWS BRUSHED ALUMINUM (SATIN)
GRAPHIC SPECS: ROUTED 1/4" THICK ALUMINUM PLATE LOGO SPACED OFF 1/2" FROM CABINET FACE - AREA BEHIND LOGO TO BE BACKED WITH 3/16" THICK #7328 WHITE ACRYLIC (WILL HAVE A HALO ILLUMINATION AT NIGHT).
GRAPHIC FINISH: FACES & EDGES PAINTED TO MATCH PMS 3025C BLUE/GREEN (SATIN) & MATTHEWS PAINT MP 28448 UMBRA GREY METALLIC LRV 31.5 (SATIN)
ILLUMINATION: WHITE LED'S
INSTALL METHOD: CABINET TO HAVE INTERNAL FABRICATED SADDLE TO ACCEPT STEEL TUBE SUPPORTS. CABINET TO BE THRU-BOLTED THRU SADDLE INTO STEEL TUBE SUPPORT. ALSO BOLTED TO STEEL FRAME OF BASE.

B FRONT CABINET

CABINET MATERIAL: .125" THICK ALUMINUM OVER 1 1/2" X 1 1/2" ALUMINUM ANGLE FRAME. TO HAVE A 2" REVEAL WHERE FRONT AND BACK CABINETS MEET. REVEAL TO HOUSE WHITE LED'S. ILLUMINATION TO WASH THE BACK CABINET FACE.
CABINET FINISH: PAINTED TO MATCH PMS 3025C BLUE/GREEN (SATIN)
CABINET DEPTH: 6" @ THINNEST - 10" @ DEEPEST
FACE MATERIAL: ROLLED .125" THICK ALUMINUM
FACE FINISH: PAINTED TO MATCH PMS 3025C BLUE/GREEN (SATIN)
GRAPHIC SPECS: ROUTED OUT OF FACE AND BACKED W/ 3/16" THICK WHITE #7328 ACRYLIC
ACCENT LINE MATERIAL: 1/2" THICK X 1" WIDE ALUMINUM PLATE - ROLLED TO MATCH RADIUS OF FACE & TO WRAP RETURNS OF CABINET.
ACCENT FINISH: PAINTED MATTHEWS BRUSHED ALUMINUM (SATIN)
INTERNAL ILLUMINATION: WHITE LED'S
INTERNAL SUPPORT MATERIAL: PER ENGINEERING
INSTALL METHOD: CABINET TO BE BOLTED TO FACE OF BACK CABINET.

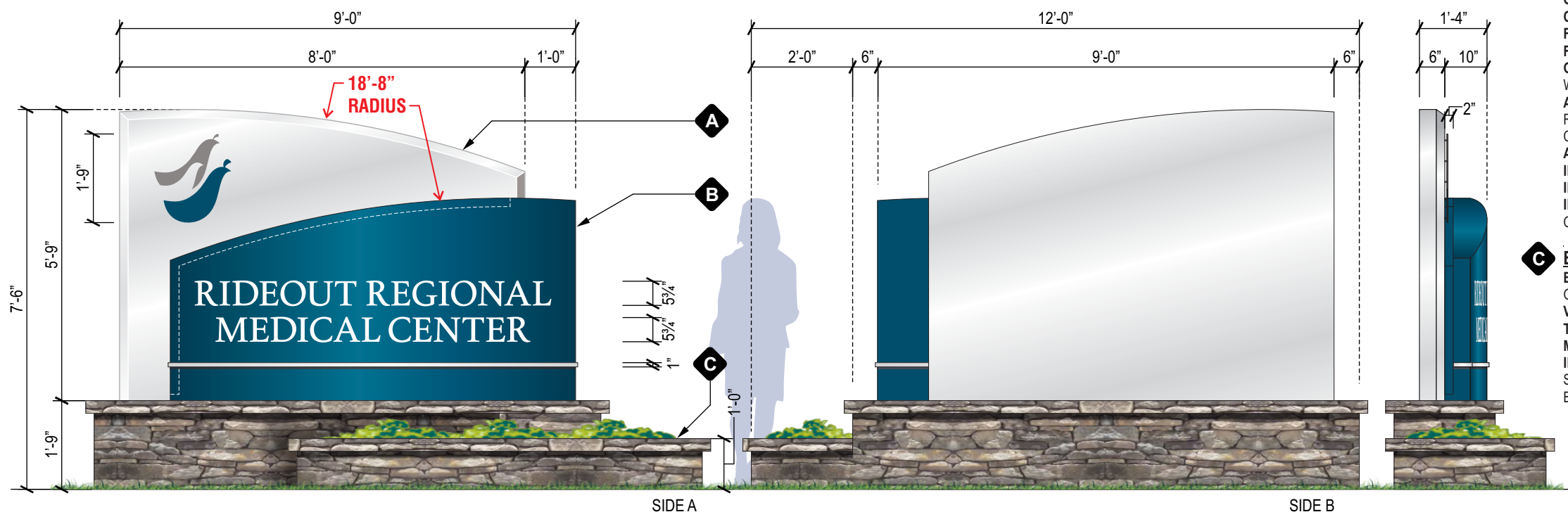
C BASE/PLANTER

BASE & PLANTER MATERIAL: STONE VENEER & DUROCK CLADDING OVER 1 1/2" X 1 1/2" STEEL ANGLE FRAME
VENEER SPECS: EL DORADO STONE - BLUFFSTONE MINERET
TOP CAP: MT. MARRIAH
MORTAR: BASALITE TYPE S 225 (GRAY)
INSTALL METHOD: MECHANICALLY FASTEN TO VERTICAL SUPPORT STRUCTURE WITH 2" X 2" X 1/8" ANGLES & 3/8" DIAM X 1" SELF-TAPPING BOLTS (SEE FRAMING DETAILS).



PLAN VIEW
SCALE: 3/8" = 1'-0"

23'-10" RADIUS

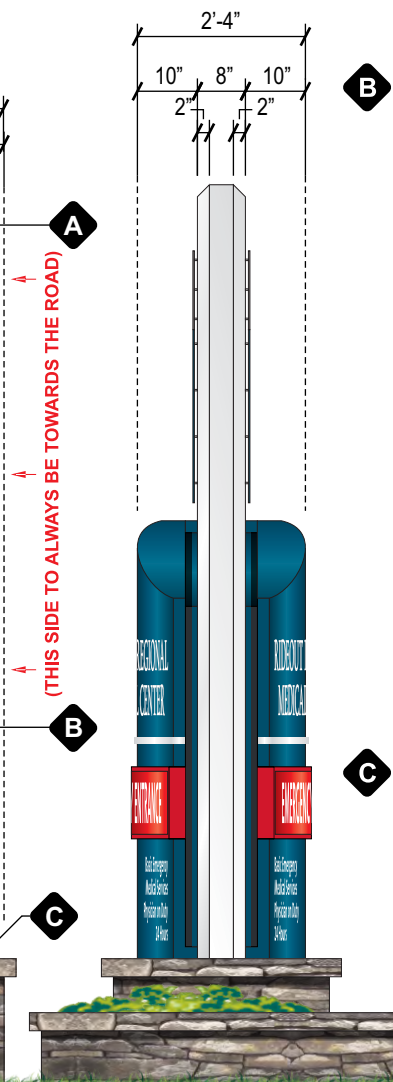
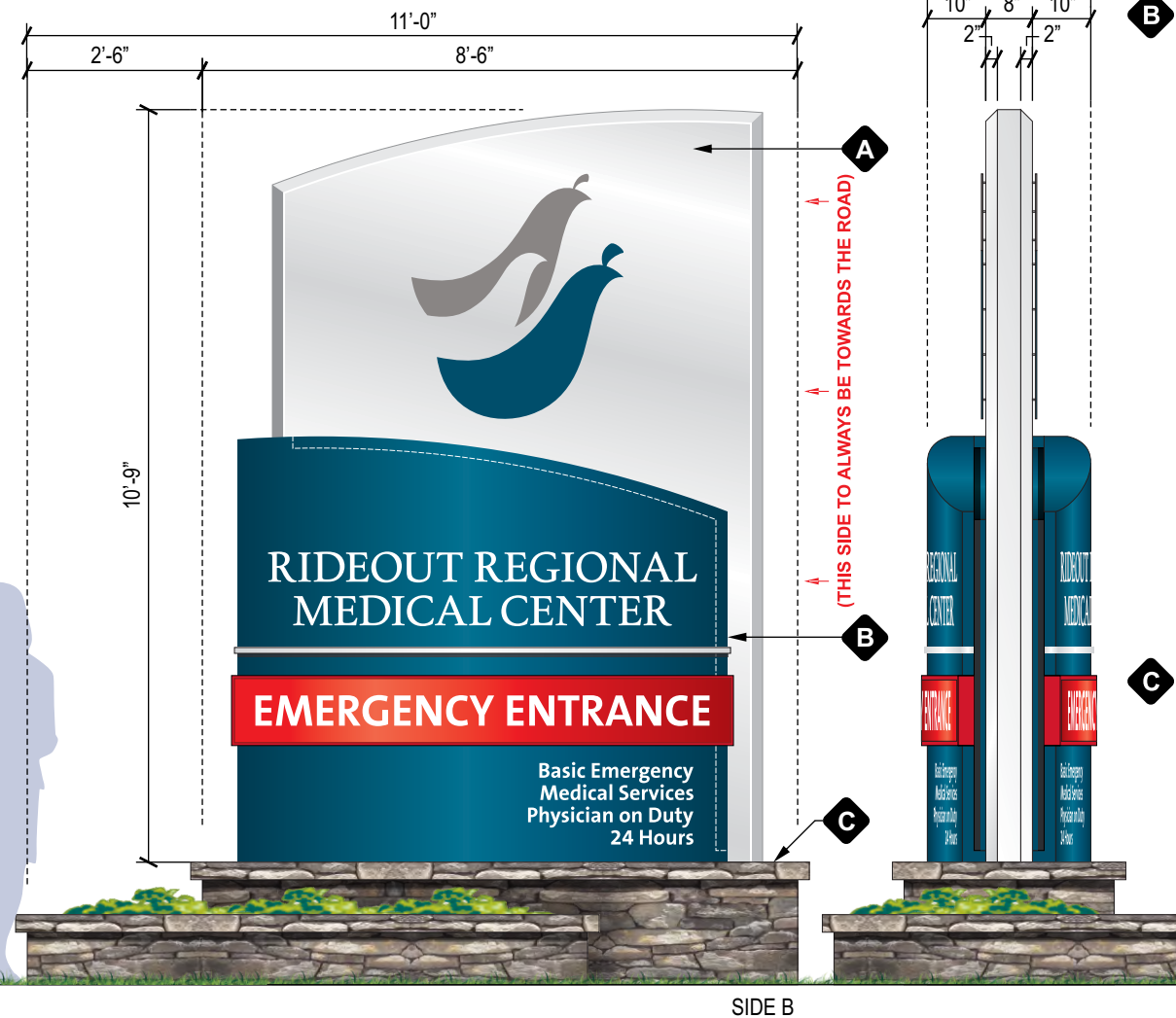
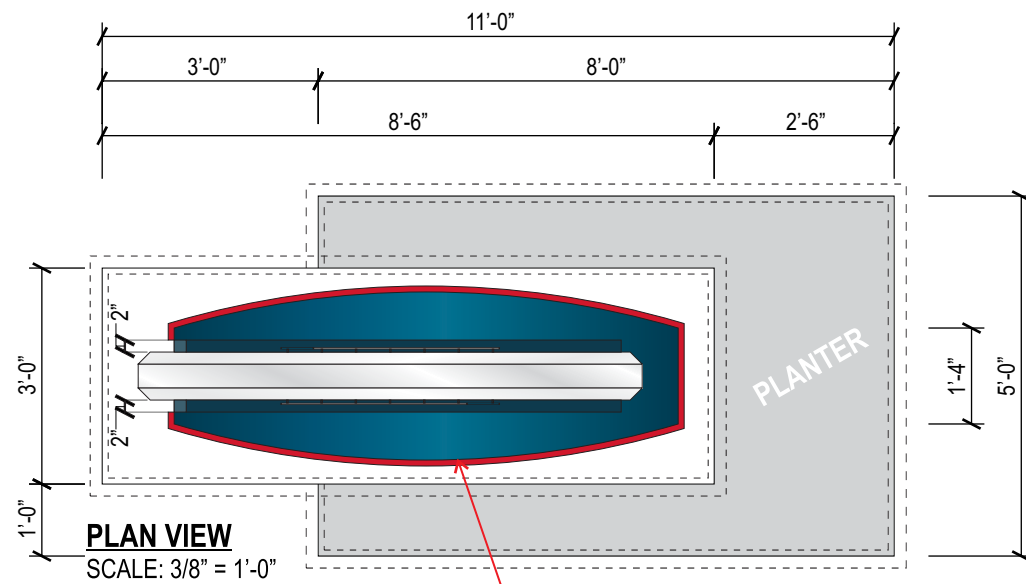


SIDE A

SIDE B

SIDE VIEW
SCALE: 3/8" = 1'-0"

1.1 (A) S/F INTERNALLY ILLUMINATED MONUMENT SIGN - M-52-SF
SCALE: 3/8" = 1'-0"
SQ. FT. = 51.75 QTY: 1



SIGN SPECIFICATIONS

A UPPER CABINET
CABINET MATERIAL: .125" THICK ALUMINUM OVER 1 1/2" X 1 1/2" ALUMINUM ANGLE FRAME. FACE RETURNS OF CABINET TO BE BEVELED.
CABINET FINISH: PAINTED MATTHEWS BRUSHED ALUMINUM (SATIN)
CABINET DEPTH: 8"
FACE MATERIAL: .125" THICK ALUMINUM
FACE FINISH: PAINTED MATTHEWS BRUSHED ALUMINUM (SATIN)
GRAPHIC SPECS: ROUTED 1/4" THICK ALUMINUM PLATE LOGO, SPACED OFF 1/2" FROM CABINET FACE - AREA BEHIND LOGO TO BE BACKED WITH 3/16" THICK #7328 WHITE ACRYLIC (WILL HAVE A HALO ILLUMINATION AT NIGHT).
GRAPHIC FINISH: FACES & EDGES PAINTED TO MATCH PMS 3025C BLUE/GREEN (SATIN) & MATTHEWS PAINT MP 28448 UMBRA GREY, METALLIC LRV 31.5 (SATIN)
ILLUMINATION: WHITE LED'S.
INTERNAL SUPPORT MATERIAL: PER ENGINEERING
INSTALL METHOD: CABINET TO HAVE INTERNAL FABRICATED SADDLE TO ACCEPT STEEL TUBE SUPPORT. CABINET TO BE THRU-BOLTED THRU SADDLE INTO STEEL TUBE SUPPORTS. ALSO BOLTED TO STEEL FRAME OF BASE.

B BOTTOM CABINET
CABINET MATERIAL: .125" THICK ALUMINUM OVER 1 1/2" X 1 1/2" ALUMINUM ANGLE FRAME. TO HAVE A 2" REVEAL WHERE FRONT AND BACK CABINETS MEET. REVEAL TO HOUSE WHITE LED'S, ILLUMINATION TO WASH THE BACK CABINET FACE.
CABINET FINISH: PAINTED TO MATCH PMS 3025C BLUE/GREEN (SATIN)
CABINET DEPTH: 1'-2" @ THINNEST - 2'-4" @ DEEPEST.
FACE MATERIAL: ROLLED .125" THICK ALUMINUM
FACE FINISH: PAINTED TO MATCH PMS 3025C BLUE/GREEN (SATIN)
GRAPHIC SPECS: ROUTED OUT OF FACE AND BACKED W/ 3/16" THICK WHITE #7328 ACRYLIC
ACCENT LINE MATERIAL: 1/2" THICK X 1" WIDE ALUMINUM PLATE - ROLLED TO MATCH RADIUS OF FACE & TO WRAP RETURNS OF CABINET.
ACCENT FINISH: PAINTED MATTHEWS BRUSHED ALUMINUM (SATIN)
EMERGENCY PANEL: AREA OF CABINET TO HAVE A WELDED 1" X .125" THICK ALUMINUM RETURN TO PROJECT THE FACE PANEL OFF THE CABINET SURFACE. FACE WILL BE 3/16" THICK WHITE LEXAN W/A 3M 3630-53 CARDINAL RED VINYL OVERLAY APPLIED TO THE FACE WITH EMERGENCY COPY & ARROW REVERSED OUT. PANEL TO WRAP CABINET BOTH SIDES AND THE ONE RETURN OF THE CABINET. FACE WILL BE SECURED TO WELDED 1" RETURN VIA A FABRICATED ALUMINUM "F" MOLDING FACE RETAINER.
"F" MOLDING SPECS: 1" X 1/2" - PAINTED TO MATCH PMS 186C RED (SATIN)
INTERNAL ILLUMINATION: WHITE LED'S
INTERNAL SUPPORT MATERIAL: PER ENGINEERING
INSTALL METHOD: CABINET TO BE BOLTED TO UPPER CABINET.

C BASE/PLANTER
BASE & PLANTER MATERIAL: STONE VENEER & DUROCK CLADDING OVER 1 1/2" X 1 1/2" STEEL ANGLE FRAME.
VENEER SPECS: EL DORADO STONE - BLUFFSTONE MINERET
TOP CAP: MT. MARRIAH
MORTAR: BASALITE TYPE S 225 (GRAY)
INSTALL METHOD: MECHANICALLY FASTEN TO VERTICAL SUPPORT STRUCTURE WITH 2" X 2" X 1/8" ANGLES & 3/8" DIAM X 1" SELF-TAPPING BOLTS (SEE FRAMING DETAILS).

2.1 (B.1) D/F INTERNALLY ILLUMINATED PYLON SIGN - P-75-DF
 SCALE: 3/8" = 1'-0"
 SQ. FT. = 75.25 QTY: 1

CLIENT INFORMATION:

**Rideout Regional
Medical Center**
726 4th Street
Marysville, CA 95901



APPROVALS:

IG ACCOUNT MANAGER _____

IG PRODUCTION MANAGER _____

CLIENT APPROVAL _____

SALES REP:

Rebecca Redmon

DESIGNER:

R.Germar

REVISION DATES:

12 10-07-2013 RLG

13 10-15-2013 RLG

14 12-03-2013 RLG

15 12-10-2013 RLG

16 12-30-2013 RLG

VOLTAGE: 120V
240V

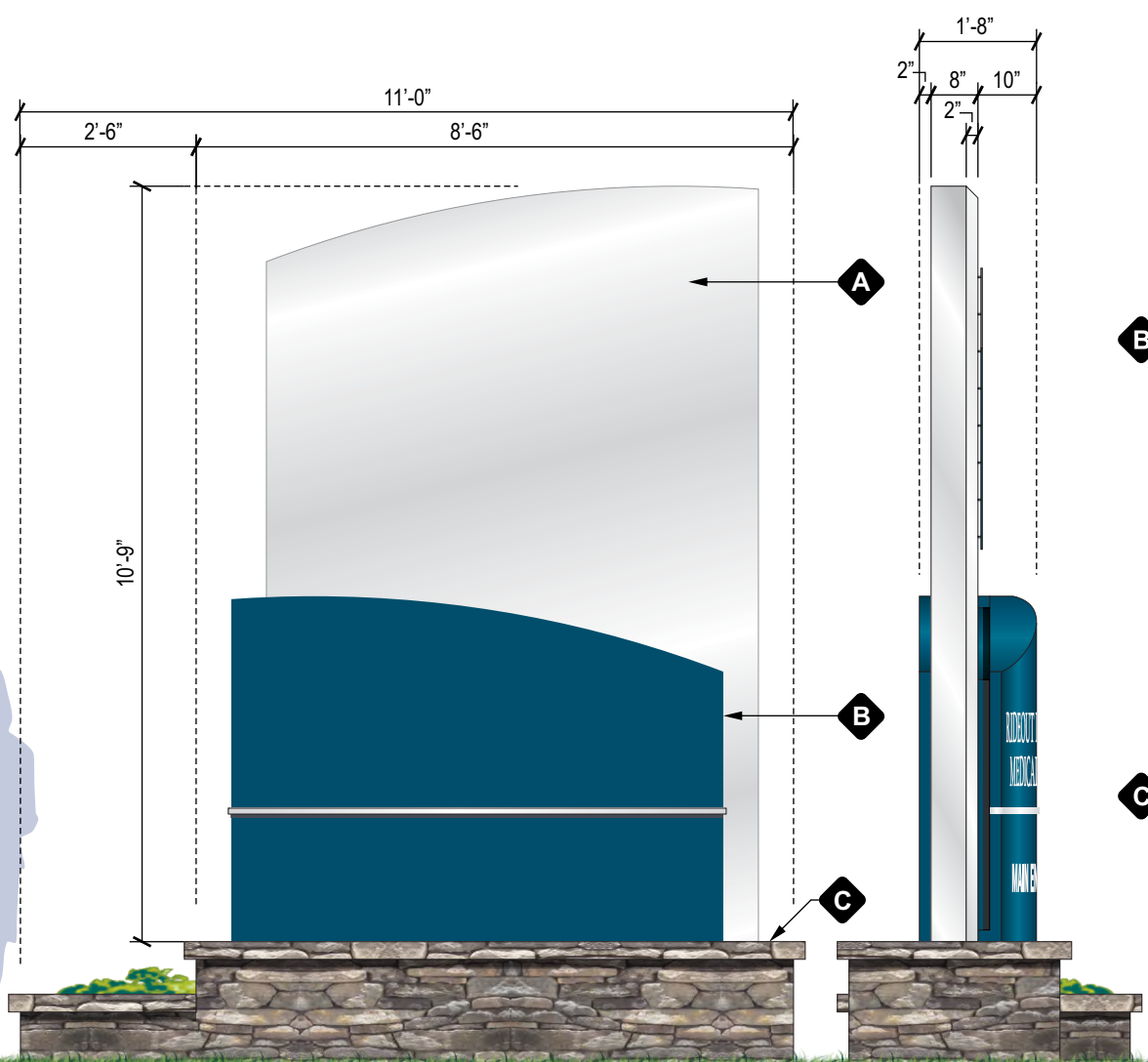
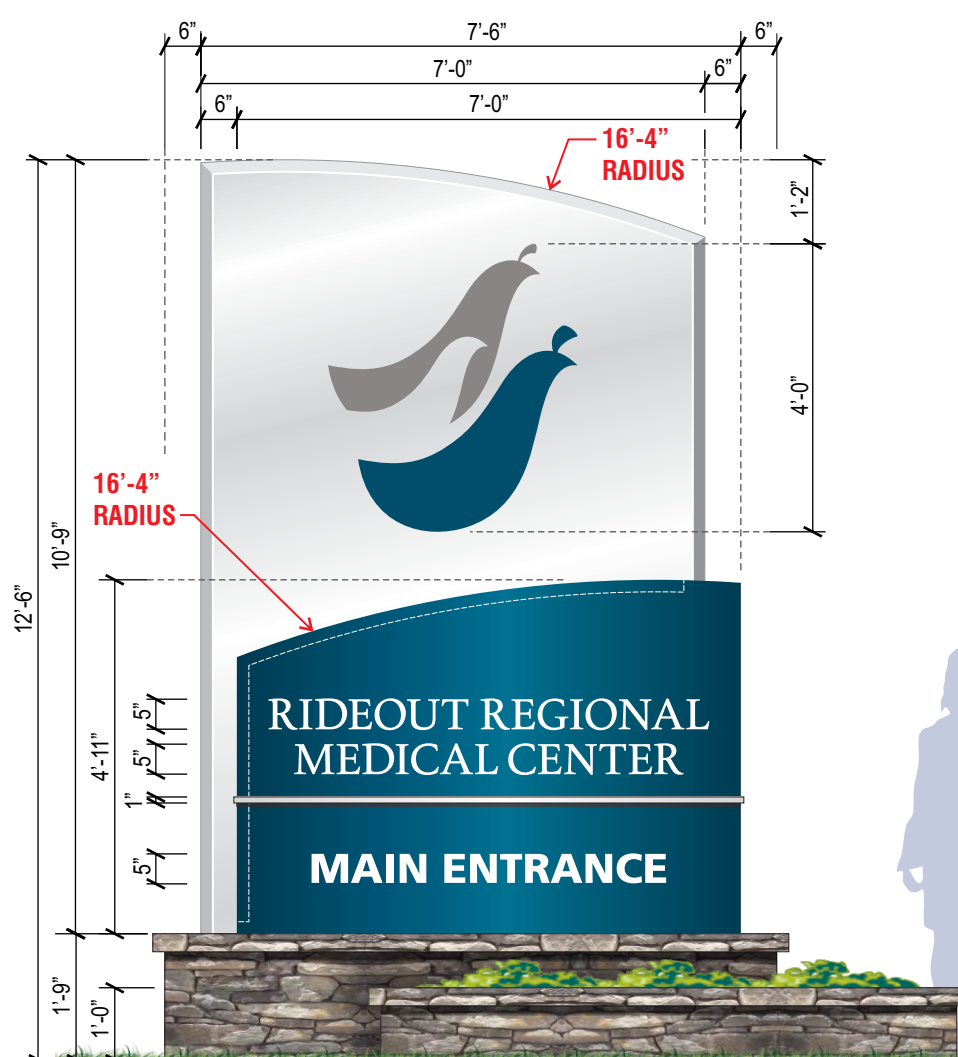
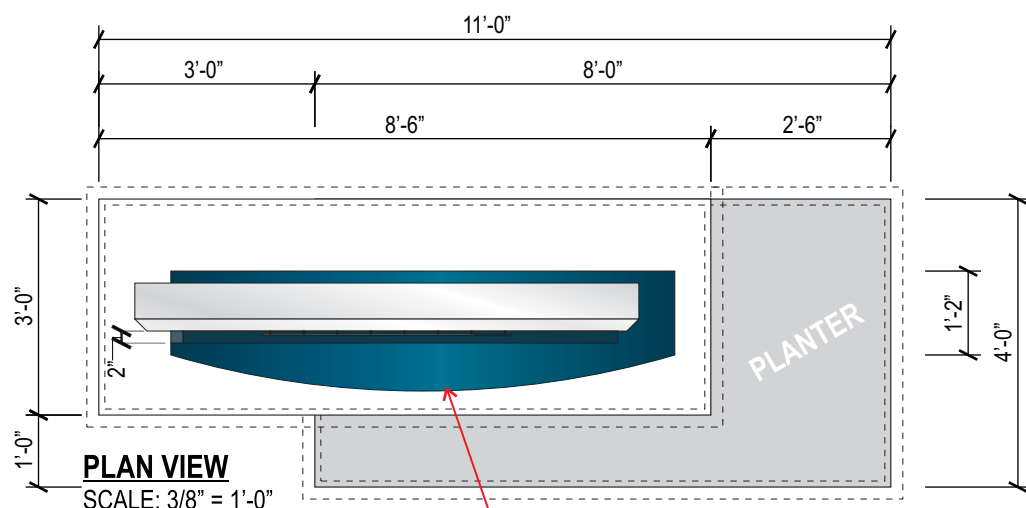
THIS ORIGINAL UNPUBLISHED DESIGN IS THE SOLE PROPERTY OF IMAGE GROUP. IT CANNOT BE REPRODUCED, COPIED OR EXHIBITED IN WHOLE OR PART, WITHOUT FIRST OBTAINING WRITTEN CONSENT FROM IMAGE GROUP. COLORS REPRESENTED IN THIS DRAWING ARE FOR PRESENTATION PURPOSES ONLY. THEY MAY NOT MATCH YOUR FINISHED PRODUCT PERFECTLY. COLOR CALL-OUTS ARE FOR REFERENCE PURPOSES ONLY.

PRIMARY ELECTRICAL TO SIGN LOCATIONS IS TO BE PROVIDED BY OTHERS. 20 AMP DEDICATED CIRCUIT(S) WITH NO SHARED NEUTRALS AND A GROUND RETURNING TO THE PANEL IS REQUIRED FOR ALL INSTALLATIONS. THIS SIGN IS INTENDED TO BE INSTALLED IN ACCORDANCE WITH THE REQUIREMENTS OF ARTICLE 600 OF THE NATIONAL ELECTRICAL CODE AND/OR OTHER APPLICABLE LOCAL CODES. THIS INCLUDES PROPER GROUNDING AND BONDING OF THE SIGN.

DATE
01-30-2013

DESIGN NO:
Rideout Master Sign Program
PROJECT LOCATION:
Marysville, CA

SIGN TYPE:
**Sign Type B.2.1
Pylon Sign
Details**



SIGN SPECIFICATIONS



BACK CABINET

CABINET MATERIAL: .125" THICK ALUMINUM OVER 1 1/2" X 1 1/2" ALUMINUM ANGLE FRAME. FACE RETURNS OF CABINET TO BE BEVELED.
CABINET FINISH: PAINTED MATTHEWS BRUSHED ALUMINUM (SATIN)
CABINET DEPTH: 8"
FACE MATERIAL: .125" THICK ALUMINUM
FACE FINISH: PAINTED MATTHEWS BRUSHED ALUMINUM (SATIN)
GRAPHIC SPECS: ROUTED 1/4" THICK ALUMINUM PLATE LOGO SPACED OFF 1/2" FROM CABINET FACE - AREA BEHIND LOGO TO BE BACKED WITH 3/16" THICK #7328 WHITE ACRYLIC (WILL HAVE A HALO ILLUMINATION AT NIGHT).
GRAPHIC FINISH: FACES & EDGES PAINTED TO MATCH PMS 3025C BLUE/GREEN (SATIN) & MATTHEWS PAINT MP 28448 UMBRA GREY METALLIC LRV 31.5 (SATIN)
ILLUMINATION: WHITE LED'S.
INTERNAL SUPPORT MATERIAL: PER ENGINEERING
INSTALL METHOD: CABINET TO HAVE INTERNAL FABRICATED SADDLE TO ACCEPT STEEL TUBE SUPPORT. CABINET TO BE THRU-BOLTED THRU SADDLE INTO STEEL TUBE SUPPORTS. ALSO BOLTED TO STEEL FRAME OF BASE.



FRONT CABINET

CABINET MATERIAL: .125" THICK ALUMINUM OVER 1 1/2" X 1 1/2" ALUMINUM ANGLE FRAME. TO HAVE A 2" REVEAL WHERE FRONT AND BACK CABINETS MEET. REVEAL TO HOUSE WHITE LED'S.
CABINET FINISH: PAINTED TO MATCH PMS 3025C BLUE/GREEN (SATIN)
CABINET DEPTH: 1'-2" @ THINNEST - 1'-8" @ DEEPEST
FACE MATERIAL: ROLLED .125" THICK ALUMINUM
FACE FINISH: PAINTED TO MATCH PMS 3025C BLUE/GREEN (SATIN)
GRAPHIC SPECS: ROUTED OUT OF FACE AND BACKED W/ 3/16" THICK WHITE #7328 ACRYLIC.
ACCENT LINE MATERIAL: 1/2" THICK X 1" WIDE ALUMINUM PLATE - ROLLED TO MATCH RADIUS OF FACE & TO WRAP RETURNS OF CABINET.
ACCENT FINISH: PAINTED MATTHEWS BRUSHED ALUMINUM (SATIN)
INTERNAL ILLUMINATION: WHITE LED'S
INTERNAL SUPPORT MATERIAL: PER ENGINEERING
INSTALL METHOD: CABINET TO BE BOLTED TO BACK CABINET.



BASE/PLANTER

BASE & PLANTER MATERIAL: STONE VENEER & DUROCK CLADDING OVER 1 1/2" X 1 1/2" STEEL ANGLE FRAME
VENEER SPECS: EL DORADO STONE - BLUFFSTONE MINERET.
TOP CAP: MT. MARRIAH
MORTAR: BASALITE TYPE S 225 (GRAY)
INSTALL METHOD: MECHANICALLY FASTEN TO VERTICAL SUPPORT STRUCTURE WITH 2" X 2" X 1/8" ANGLES & 3/8" DIAM X 1" SELF-TAPPING BOLTS (SEE FRAMING DETAILS).

3.1 (B.2.1) S/F INTERNALLY ILLUMINATED PYLON SIGN - P-75-SF
SCALE: 3/8" = 1'-0"
SQ. FT. = 75.25 QTY: 1

SIDE VIEW
SCALE: 3/8" = 1'-0"

CLIENT INFORMATION:

**Rideout Regional
Medical Center**
726 4th Street
Marysville, CA 95901



APPROVALS:

IG ACCOUNT MANAGER _____

IG PRODUCTION MANAGER _____

CLIENT APPROVAL _____

SALES REP:

Rebecca Redmon

DESIGNER:

R.Germar

REVISION DATES:

12 10-07-2013 RLG

13 10-15-2013 RLG

14 12-03-2013 RLG

15 12-10-2013 RLG

16 12-30-2013 RLG

VOLTAGE: 120V
240V

THIS ORIGINAL UNPUBLISHED DESIGN IS THE SOLE PROPERTY OF IMAGE GROUP. IT CANNOT BE REPRODUCED, COPIED OR EXHIBITED IN WHOLE OR PART, WITHOUT FIRST OBTAINING WRITTEN CONSENT FROM IMAGE GROUP. COLORS REPRESENTED IN THIS DRAWING ARE FOR PRESENTATION PURPOSES ONLY. THEY MAY NOT MATCH YOUR FINISHED PRODUCT PERFECTLY. COLOR CALL-OUTS ARE FOR REFERENCE PURPOSES ONLY.

PRIMARY ELECTRICAL TO SIGN LOCATIONS IS TO BE PROVIDED BY OTHERS. 20 AMP DEDICATED CIRCUIT(S) WITH NO SHARED NEUTRALS AND A GROUND RETURNING TO THE PANEL IS REQUIRED FOR ALL INSTALLATIONS. THIS SIGN IS INTENDED TO BE INSTALLED IN ACCORDANCE WITH THE REQUIREMENTS OF ARTICLE 600 OF THE NATIONAL ELECTRICAL CODE AND/OR OTHER APPLICABLE LOCAL CODES. THIS INCLUDES PROPER GROUNDING AND BONDING OF THE SIGN.

DATE

01-30-2013

DESIGN NO:

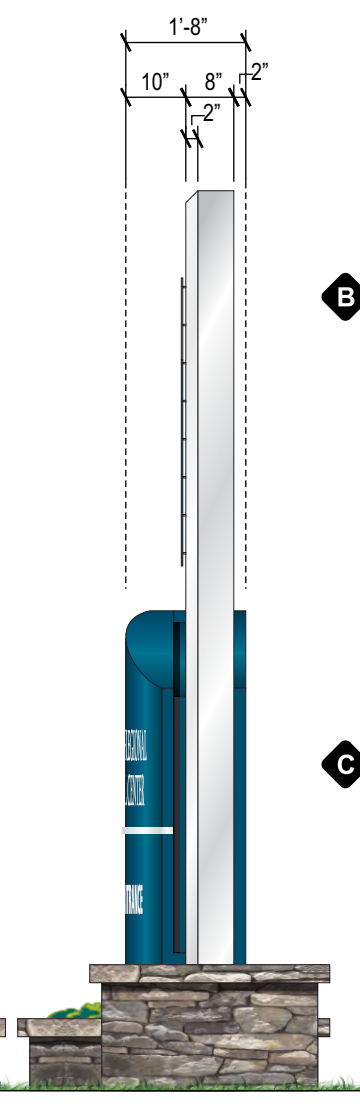
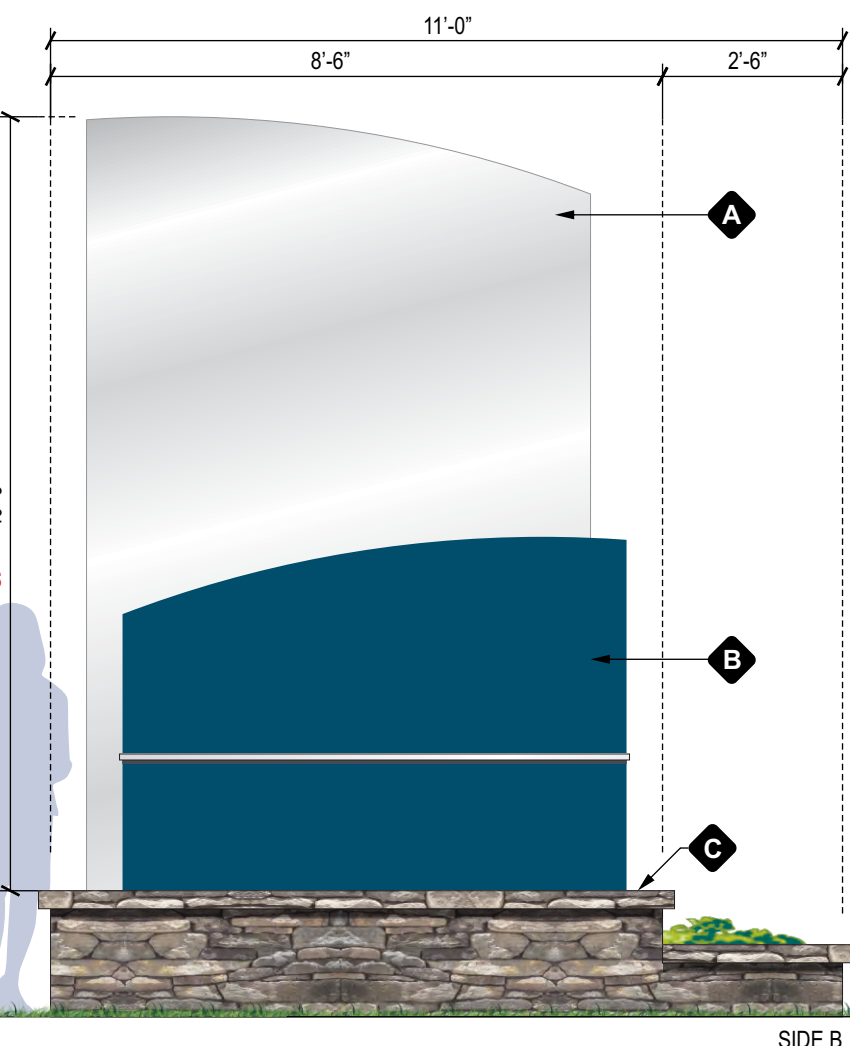
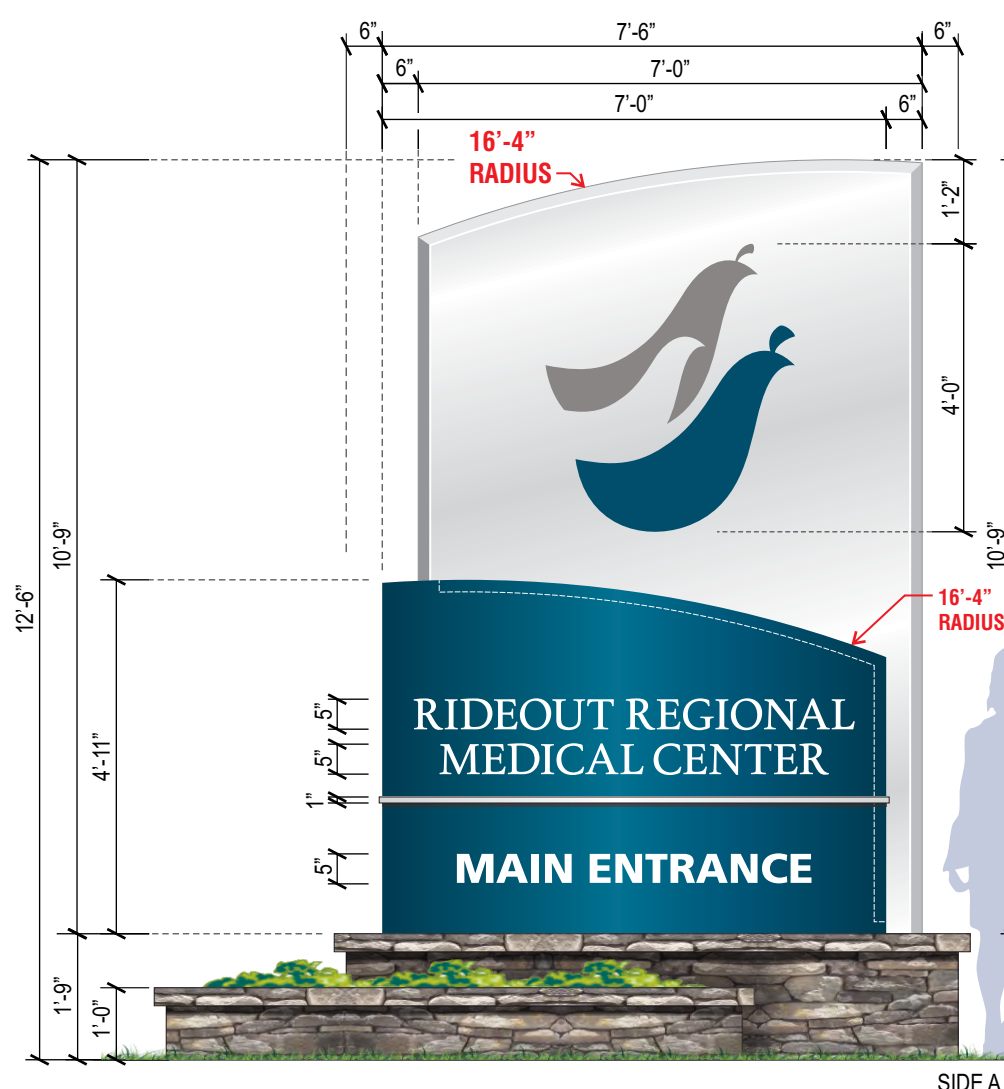
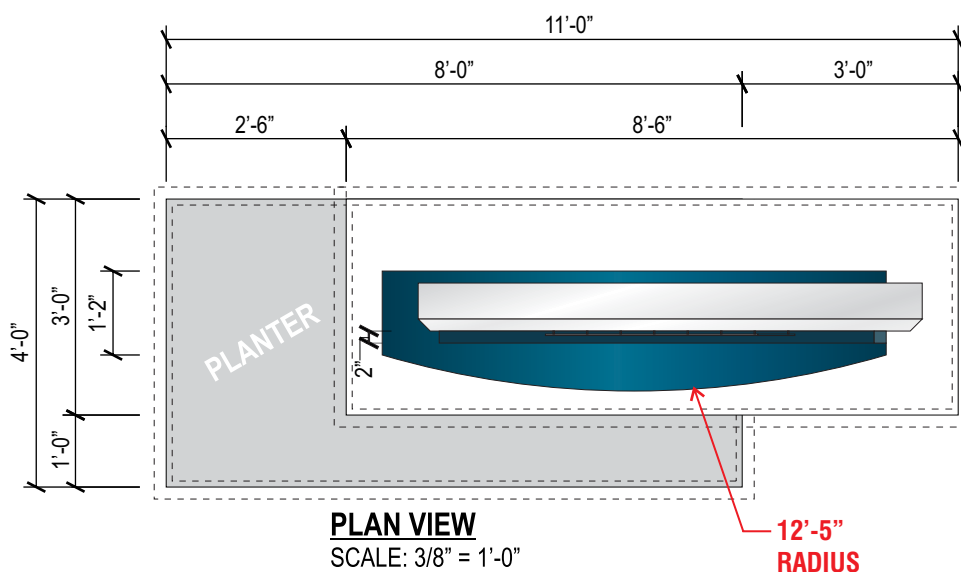
Rideout Master Sign Program

PROJECT LOCATION:

Marysville, CA

SIGN TYPE:

**Sign Type B.2.2
Pylon Sign
Details**



SIGN SPECIFICATIONS

A BACK CABINET
CABINET MATERIAL: .125" THICK ALUMINUM OVER 1 1/2" X 1 1/2" ALUMINUM ANGLE FRAME. FACE RETURNS OF CABINET TO BE BEVELED.
CABINET FINISH: PAINTED MATTHEWS BRUSHED ALUMINUM (SATIN)
CABINET DEPTH: 8"
FACE MATERIAL: .125" THICK ALUMINUM
FACE FINISH: PAINTED MATTHEWS BRUSHED ALUMINUM (SATIN)
GRAPHIC SPECS: ROUTED 1/4" THICK ALUMINUM PLATE LOGO SPACED OFF 1/2" FROM CABINET FACE - AREA BEHIND LOGO TO BE BACKED WITH 3/16" THICK #7328 WHITE ACRYLIC (WILL HAVE A HALO ILLUMINATION AT NIGHT).
GRAPHIC FINISH: FACES & EDGES PAINTED TO MATCH PMS 3025C BLUE/GREEN (SATIN) & MATTHEWS PAINT MP 28448 UMBRA GREY METALLIC LRV 31.5 (SATIN)
ILLUMINATION: WHITE LED'S.
INTERNAL SUPPORT MATERIAL: PER ENGINEERING
INSTALL METHOD: CABINET TO HAVE INTERNAL FABRICATED SADDLE TO ACCEPT STEEL TUBE SUPPORT. CABINET TO BE THRU-BOLTED THRU SADDLE INTO STEEL TUBE SUPPORTS. ALSO BOLTED TO STEEL FRAME OF BASE.

B FRONT CABINET
CABINET MATERIAL: .125" THICK ALUMINUM OVER 1 1/2" X 1 1/2" ALUMINUM ANGLE FRAME. TO HAVE A 2" REVEAL WHERE FRONT AND BACK CABINETS MEET. REVEAL TO HOUSE WHITE LED'S.
CABINET FINISH: PAINTED TO MATCH PMS 3025C BLUE/GREEN (SATIN)
CABINET DEPTH: 1'-2" @ THINNEST - 1'-8" @ DEEPEST
FACE MATERIAL: ROLLED .125" THICK ALUMINUM
FACE FINISH: PAINTED TO MATCH PMS 3025C BLUE/GREEN (SATIN)
GRAPHIC SPECS: ROUTED OUT OF FACE AND BACKED W/ 3/16" THICK WHITE #7328 ACRYLIC.
ACCENT LINE MATERIAL: 1/2" THICK X 1" WIDE ALUMINUM PLATE - ROLLED TO MATCH RADIUS OF FACE & TO WRAP RETURNS OF CABINET.
ACCENT FINISH: PAINTED MATTHEWS BRUSHED ALUMINUM (SATIN)
INTERNAL ILLUMINATION: WHITE LED'S
INTERNAL SUPPORT MATERIAL: PER ENGINEERING
INSTALL METHOD: CABINET TO BE BOLTED TO BACK CABINET.

C BASE/PLANTER
BASE & PLANTER MATERIAL: STONE VENEER & DUROCK CLADDING OVER 1 1/2" X 1 1/2" STEEL ANGLE FRAME
VENEER SPECS: EL DORADO STONE - BLUFFSTONE MINERET
TOP CAP: MT. MARRIAH
MORTAR: BASALITE TYPE S 225 (GRAY)
INSTALL METHOD: MECHANICALLY FASTEN TO VERTICAL SUPPORT STRUCTURE WITH 2" X 2" X 1/8" ANGLES & 3/8" DIAM X 1" SELF-TAPPING BOLTS (SEE FRAMING DETAILS).

4.1 (B.2.2) S/F INTERNALLY ILLUMINATED PYLON SIGN - P-75-SF
SCALE: 3/8" = 1'-0"
SQ. FT. = 75.25 QTY: 1

SIDE VIEW
SCALE: 3/8" = 1'-0"

CLIENT INFORMATION:

**Rideout Regional
Medical Center**
726 4th Street
Marysville, CA 95901



APPROVALS:

IG ACCOUNT MANAGER _____

IG PRODUCTION MANAGER _____

CLIENT APPROVAL _____

SALES REP:

Rebecca Redmon

DESIGNER:

R.Germar

REVISION DATES:

12 10-07-2013 RLG

13 10-15-2013 RLG

14 12-03-2013 RLG

15 12-10-2013 RLG

16 12-30-2013 RLG

VOLTAGE: 120V
240V

THIS ORIGINAL UNPUBLISHED DESIGN IS THE SOLE PROPERTY OF IMAGE GROUP. IT CANNOT BE REPRODUCED, COPIED OR EXHIBITED IN WHOLE OR PART, WITHOUT FIRST OBTAINING WRITTEN CONSENT FROM IMAGE GROUP. COLORS REPRESENTED IN THIS DRAWING ARE FOR PRESENTATION PURPOSES ONLY. THEY MAY NOT MATCH YOUR FINISHED PRODUCT PERFECTLY. COLOR CALL-OUTS ARE FOR REFERENCE PURPOSES ONLY.

PRIMARY ELECTRICAL TO SIGN LOCATIONS IS TO BE PROVIDED BY OTHERS. 20 AMP DEDICATED CIRCUIT(S) WITH NO SHARED NEUTRALS AND A GROUND RETURNING TO THE PANEL IS REQUIRED FOR ALL INSTALLATIONS. THIS SIGN IS INTENDED TO BE INSTALLED IN ACCORDANCE WITH THE REQUIREMENTS OF ARTICLE 600 OF THE NATIONAL ELECTRICAL CODE AND/OR OTHER APPLICABLE LOCAL CODES. THIS INCLUDES PROPER GROUNDING AND BONDING OF THE SIGN.

DATE

01-30-2013

DESIGN NO:

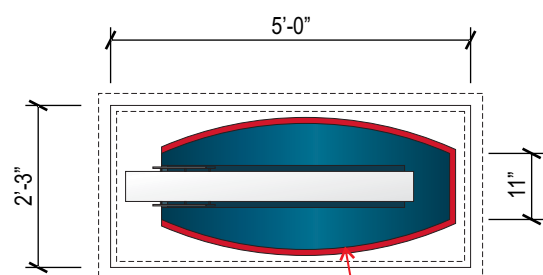
Rideout Master Sign Program

PROJECT LOCATION:

Marysville, CA

SIGN TYPE:

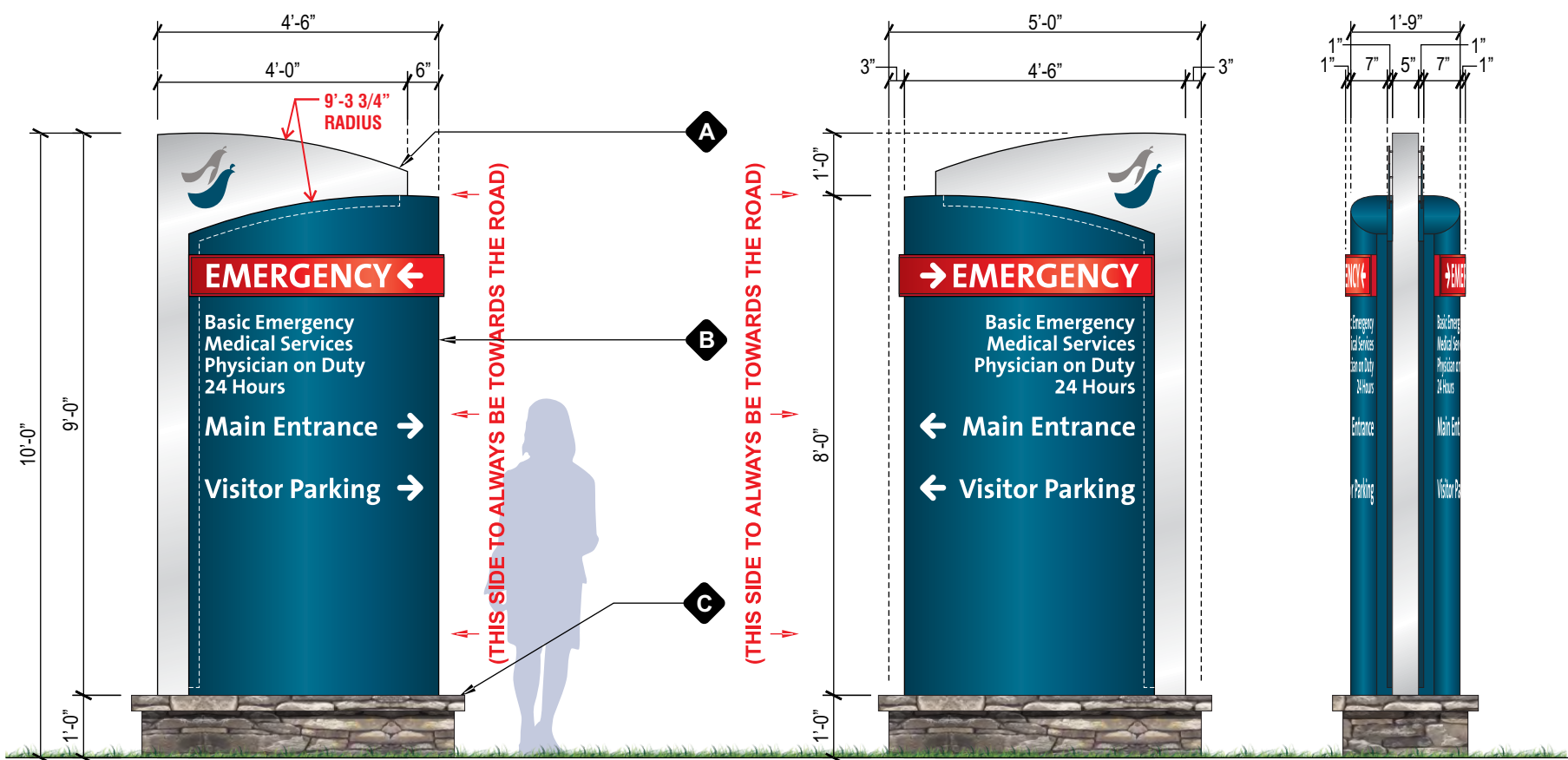
**Sign Type D
Directional Sign
Details**



PLAN VIEW

SCALE: 3/8" = 1'-0"

NOTE: SEE NEXT PAGE FOR MESSAGE LAYOUTS OF THIS SIGN TYPE



6 (D) D/F INTERNALLY ILLUMINATED DIRECTIONAL SIGN - DIR-41-DF

SCALE: 3/8" = 1'-0"

SQ. FT. = 40.5

SIGN SPECIFICATIONS



ACCENT FIN

MATERIAL: .125" THICK ALUMINUM OVER 1 1/2" X 1 1/2" ALUMINUM ANGLE FRAME.

FINISH: PAINTED MATTHEWS BRUSHED ALUMINUM (SATIN)

FINISH DEPTH: 5"

FACE MATERIAL: .125" THICK ALUMINUM

FACE FINISH: PAINTED MATTHEWS BRUSHED ALUMINUM (SATIN)

GRAPHIC SPECS: ROUTED 1/4" THICK ALUMINUM PLATE LOGO SPACED OFF 1/2" FROM CABINET FACE - AREA BEHIND LOGO TO BE BACKED WITH 3/16" THICK #7328 WHITE ACRYLIC (WILL HAVE A HALO ILLUMINATION AT NIGHT).

GRAPHIC FINISH: FACES & EDGES PAINTED TO MATCH PMS 3025C BLUE/GREEN (SATIN) & MATTHEWS PAINT MP 28448 UMBRA GREY METALLIC LRV 31.5 (SATIN)

ILLUMINATION: WHITE LED'S.

INTERNAL SUPPORT MATERIAL: PER ENGINEERING

INSTALL METHOD: CABINET TO HAVE INTERNAL FABRICATED SADDLE TO ACCEPT STEEL TUBE SUPPORT. CABINET TO BE THRU-BOLTED THRU SADDLE INTO STEEL TUBE SUPPORTS. ALSO BOLTED TO STEEL FRAME OF BASE.



MAIN CABINET

CABINET MATERIAL: .125" THICK ALUMINUM OVER 1 1/2" X 1 1/2" ALUMINUM ANGLE FRAME. TO HAVE A 1" REVEAL WHERE FRONT AND BACK CABINETS MEET. REVEAL TO HOUSE WHITE LED'S. ILLUMINATION TO WASH ONTO ACCENT FIN.

CABINET FINISH: PAINTED TO MATCH PMS 3025C BLUE/GREEN (SATIN)

CABINET DEPTH: 11" @ THINNEST - 1'-9" @ DEEPEST

FACE MATERIAL: ROLLED .125" THICK ALUMINUM

FACE FINISH: PAINTED TO MATCH PMS 3025C BLUE/GREEN (SATIN)

GRAPHIC SPECS: ROUTED OUT OF FACE AND BACKED W/ 3/16" THICK WHITE #7328 ACRYLIC

EMERGENCY PANEL: AREA OF CABINET TO HAVE A WELDED 1" X .125" THICK ALUMINUM RETURN TO PROJECT THE FACE PANEL OFF THE CABINET SURFACE. FACE WILL BE 3/16" THICK WHITE LEXAN W/A 3M 3630-53 CARDINAL RED VINYL OVERLAY APPLIED TO THE FACE WITH EMERGENCY COPY & ARROW REVERSED OUT. PANEL TO WRAP CABINET BOTH SIDES AND THE ONE RETURN OF THE CABINET. FACE WILL BE SECURED TO WELDED 1" RETURN VIA A FABRICATED ALUMINUM "F" MOLDING FACE RETAINER.

"F" MOLDING SPECS: 1" X 1/2" - PAINTED TO MATCH PMS 186C RED (SATIN)

INTERNAL ILLUMINATION: WHITE LED'S

INTERNAL SUPPORT MATERIAL: PER ENGINEERING

INSTALL METHOD: CABINET TO BE BOLTED TO ACCENT FIN



BASE

BASE: STONE VENEER & DUROCK CLADDING OVER 1 1/2" X 1 1/2" STEEL ANGLE FRAME

VENEER SPECS: EL DORADO STONE - BLUFFSTONE MINERET

TOP CAP: MT. MARRIAH

MORTAR: BASALITE TYPE S 225 (GRAY)



SIDE A SIDE B

6.1 DIR-41-DF
SCALE: 3/8" = 1'-0"
QTY: 1



SIDE A SIDE B

6.2 DIR-41-DF
SCALE: 3/8" = 1'-0"
QTY: 1



SIDE A SIDE B

6.3 DIR-41-DF
SCALE: 3/8" = 1'-0"
QTY: 1



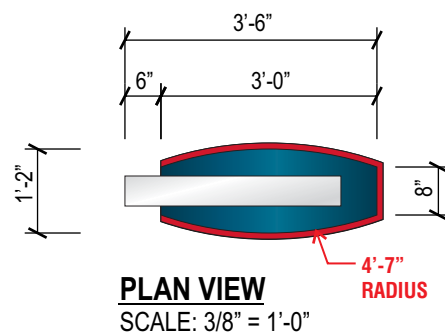
SIDE A SIDE B

6.4 DIR-41-DF
SCALE: 3/8" = 1'-0"
QTY: 1

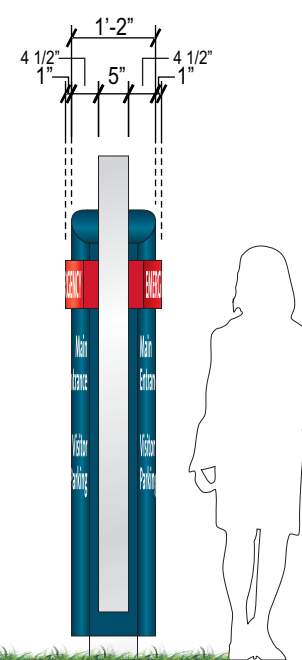
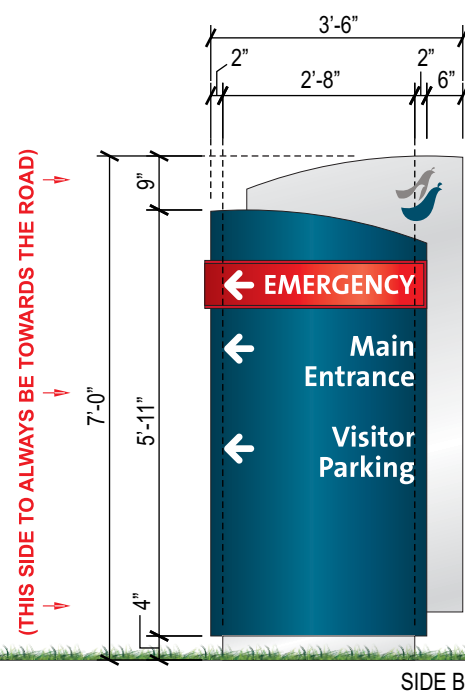
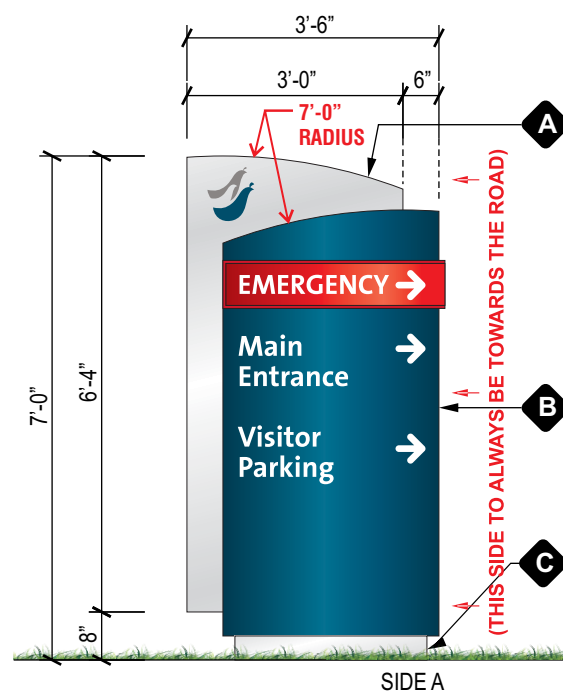


SIDE A SIDE B

6.5 DIR-41-DF
SCALE: 3/8" = 1'-0"
QTY: 1



NOTE: SEE NEXT PAGE FOR MESSAGE LAYOUTS OF THIS SIGN TYPE



7 (E) D/F INTERNALLY ILLUMINATED DIRECTIONAL SIGN - DIR-23-DF
SCALE: 3/8" = 1'-0"
SQ. FT. = 23.33

SIGN SPECIFICATIONS

A ACCENT FIN
MATERIAL: .125" THICK ALUMINUM OVER 1 1/2" X 1 1/2" ALUMINUM ANGLE FRAME.
FINISH: PAINTED MATTHEWS BRUSHED ALUMINUM (SATIN)
FINISH DEPTH: 5"
FACE MATERIAL: .125" THICK ALUMINUM
FACE FINISH: PAINTED MATTHEWS BRUSHED ALUMINUM (SATIN)
GRAPHIC SPECS: MASKED & PAINTED GRAPHICS
GRAPHIC FINISH: PAINTED TO MATCH PMS 3025C BLUE/GREEN (SATIN) & MATTHEWS PAINT MP 28448 UMBRA GREY METALLIC LRV 31.5 (SATIN)
INSTALL METHOD: CABINET TO HAVE INTERNAL FABRICATED SADDLE TO ACCEPT STEEL TUBE SUPPORT. CABINET TO BE THRU-BOLTED THRU SADDLE INTO STEEL TUBE SUPPORTS.

B MAIN CABINET
CABINET MATERIAL: .125" THICK ALUMINUM OVER 1 1/2" X 1 1/2" ALUMINUM ANGLE FRAME.
CABINET FINISH: PAINTED TO MATCH PMS 3025C BLUE/GREEN (SATIN)
CABINET DEPTH: 8" @ THINNEST - 1'-2" @ DEEPEST
FACE MATERIAL: ROLLED .125" THICK ALUMINUM
FACE FINISH: PAINTED TO MATCH PMS 3025C BLUE/GREEN (SATIN)
GRAPHIC SPECS: ROUTED OUT OF FACE AND BACKED W/ 3/16" THICK WHITE #7328 ACRYLIC
EMERGENCY PANEL: AREA OF CABINET TO HAVE A WELDED 1" X .125" THICK ALUMINUM RETURN TO PROJECT THE FACE PANEL OFF THE CABINET SURFACE. FACE WILL BE 3/16" THICK WHITE LEXAN W/A 3M 3630-53 CARDINAL RED VINYL OVERLAY APPLIED TO THE FACE WITH EMERGENCY COPY & ARROW REVERSED OUT. PANEL TO WRAP CABINET BOTH SIDES AND THE ONE RETURN OF THE CABINET. FACE WILL BE SECURED TO WELDED 1" RETURN VIA A FABRICATED ALUMINUM "F" MOLDING FACE RETAINER.
"F" MOLDING SPECS: 1" X 1/2" - PAINTED TO MATCH PMS 186C RED (SATIN)
INTERNAL ILLUMINATION: WHITE LED'S
INTERNAL SUPPORT MATERIAL: 3" X 3" STL TUBE (X1) - TO PROJECT BELOW SIGN TO MATCH REQ. FOOTING DEPTH
INSTALL METHOD: CABINET TO BE BOLTED TO ACCENT FIN.

C BASE
BASE: 4" X 2" ALUMINUM CHANNEL
BASE FINISH: PAINTED MATTHEWS BRUSHED ALUMINUM (SATIN)
INSTALL METHOD: THRU-BOLTED THRU BOTTOM OF MAIN CABINET FRAME. ENTIRE SIGN IS INSTALLED INTO A POUDED CONCRETE FOOTER. MAIN SUPPORT IS DIRECTLY BURIED INTO AUGURED HOLE FILLED W/ CONCRETE.

CLIENT INFORMATION:

**Rideout Regional
 Medical Center**
 726 4th Street
 Marysville, CA 95901



APPROVALS:

IG ACCOUNT MANAGER _____

IG PRODUCTION MANAGER _____

CLIENT APPROVAL _____

SALES REP:

Rebecca Redmon

DESIGNER:

R.Germar

REVISION DATES:

12 10-07-2013 RLG

13 10-15-2013 RLG

14 12-03-2013 RLG

15 12-10-2013 RLG

16 12-30-2013 RLG

VOLTAGE: 120V
 240V

THIS ORIGINAL UNPUBLISHED DESIGN IS THE SOLE PROPERTY OF IMAGE GROUP. IT CANNOT BE REPRODUCED, COPIED OR EXHIBITED IN WHOLE OR PART, WITHOUT FIRST OBTAINING WRITTEN CONSENT FROM IMAGE GROUP. COLORS REPRESENTED IN THIS DRAWING ARE FOR PRESENTATION PURPOSES ONLY. THEY MAY NOT MATCH YOUR FINISHED PRODUCT PERFECTLY. COLOR CALL-OUTS ARE FOR REFERENCE PURPOSES ONLY.

PRIMARY ELECTRICAL TO SIGN LOCATIONS IS TO BE PROVIDED BY OTHERS. 20 AMP DEDICATED CIRCUIT(S) WITH NO SHARED NEUTRALS AND A GROUND RETURNING TO THE PANEL IS REQUIRED FOR ALL INSTALLATIONS. THIS SIGN IS INTENDED TO BE INSTALLED IN ACCORDANCE WITH THE REQUIREMENTS OF ARTICLE 600 OF THE NATIONAL ELECTRICAL CODE AND/OR OTHER APPLICABLE LOCAL CODES. THIS INCLUDES PROPER GROUNDING AND BONDING OF THE SIGN.

DATE

01-30-2013

DESIGN NO:

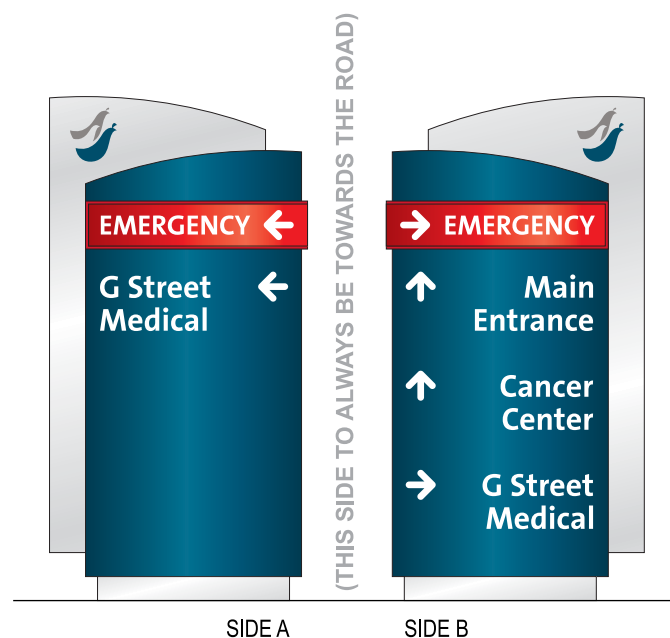
Rideout Master Sign Program

PROJECT LOCATION:

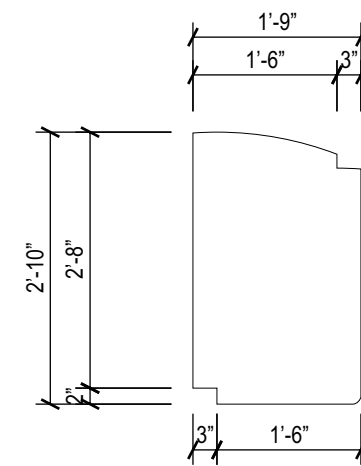
Marysville, CA

SIGN TYPE:

**Sign Type E
 Directional Sign
 Message Layouts**

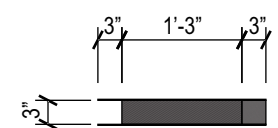


7.4 **DIR-23-DF**
 SCALE: 3/8" = 1'-0"
 QTY: 1



PANEL PATTERN (SIDE "A")
SCALE: 1/2" = 1'-0"

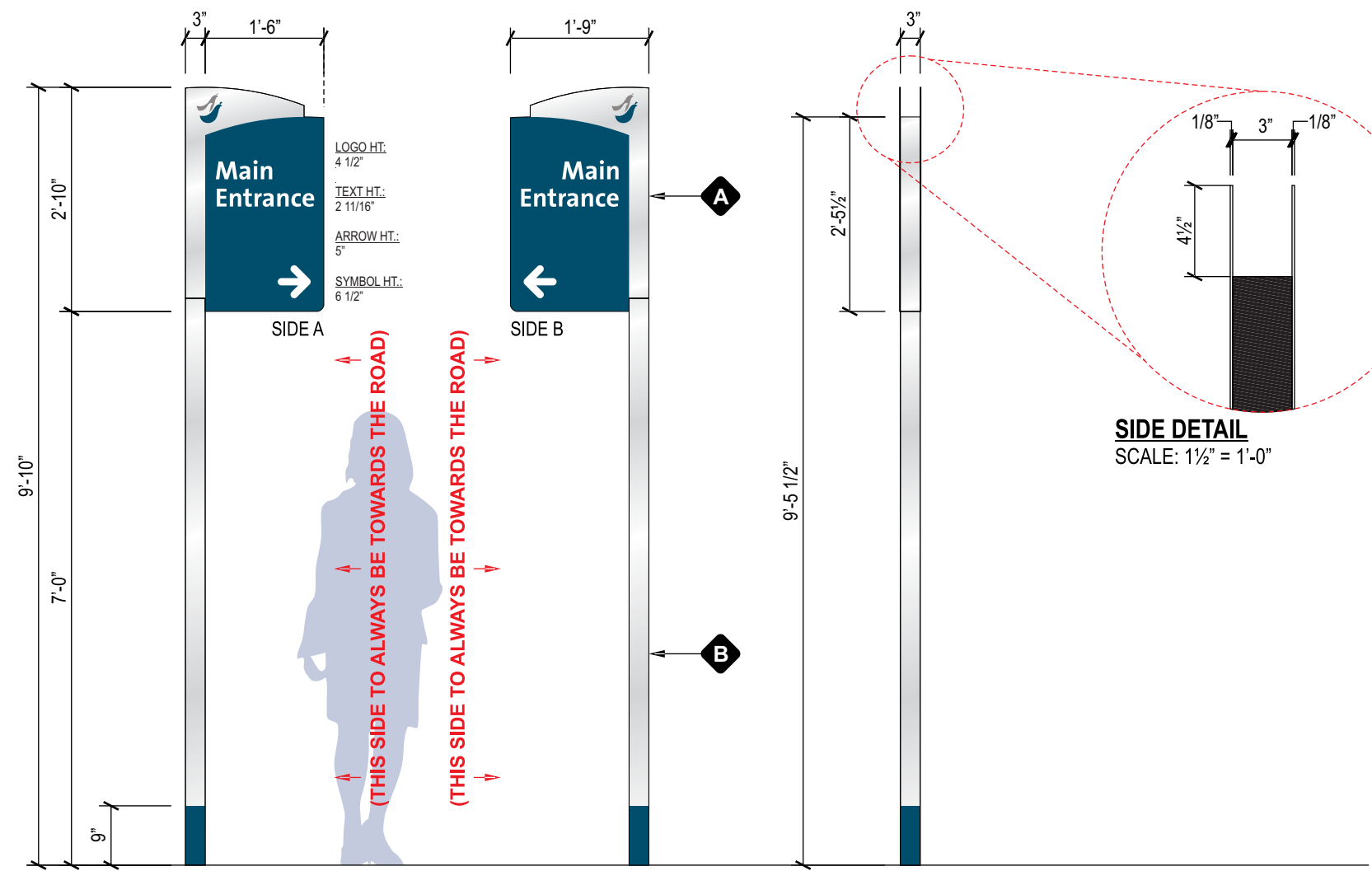
NOTE: SEE NEXT PAGE FOR MESSAGE LAYOUTS OF THIS SIGN TYPE



PLAN VIEW
SCALE: 3/8" = 1'-0"

SIGN SPECIFICATIONS

- A SIGN FACE**
FACE MATERIAL: .125" THICK ALUMINUM OVER 3" ALUMINUM TUBE FRAME
FINISH: PAINTED MATTHEWS BRUSHED ALUMINUM (SATIN) & TO MATCH PMS 3025C BLUE/GREEN (SATIN)
GRAPHIC SPECS: 3M 680-10 REFLECTIVE WHITE VINYL COPY
LOGO FINISH: PAINTED TO MATCH PMS 3025C BLUE/GREEN (SATIN) & MATTHEWS PAINT MP 28448 UMBRA GREY METALLIC LRV 31.5 (SATIN)
INSTALL METHOD: FACES ARE CHEMICALLY WELDED TO ALUMINUM TUBE FRAME & MAIN SUPPORT.
- B MAIN SUPPORTS**
MATERIAL: 3" X 3" ALUMINUM TUBE
FINISH: PAINTED MATTHEWS BRUSHED ALUMINUM (SATIN) & TO MATCH PMS 3025C BLUE/GREEN (SATIN)
INSTALL METHOD: DIRECT BURIAL INTO AN AUGURED HOLE FILLED WITH CONCRETE



8 (F) D/F NON-ILLUM TERTIARY DIRECTIONAL - T-DIR-5-NI-DF
SCALE: 1/2" = 1'-0"
SQ. FT. = 4.95

SIDE VIEW
SCALE: 1/2" = 1'-0"

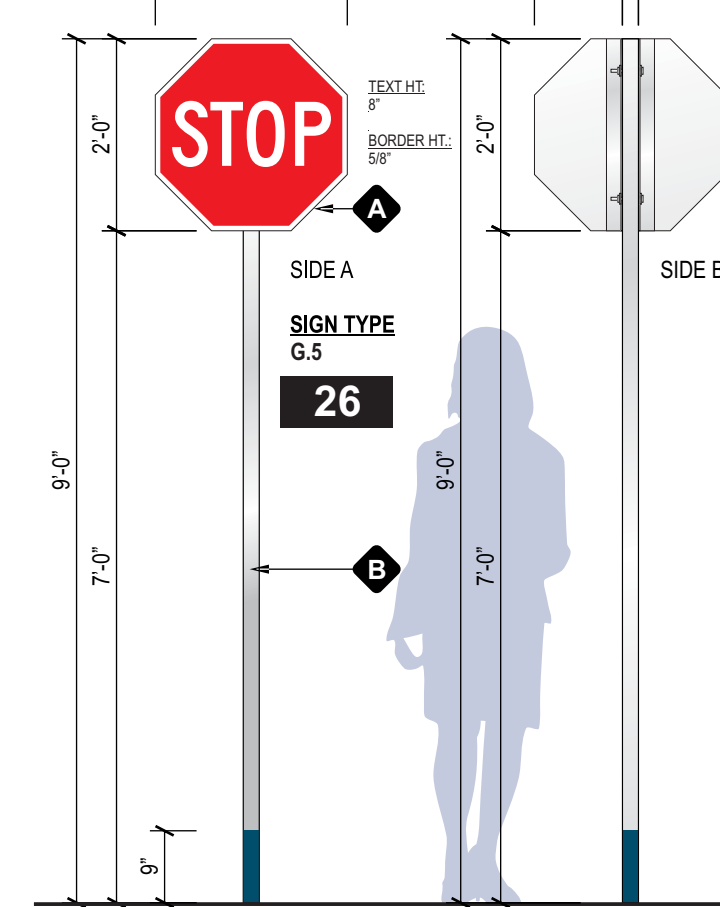
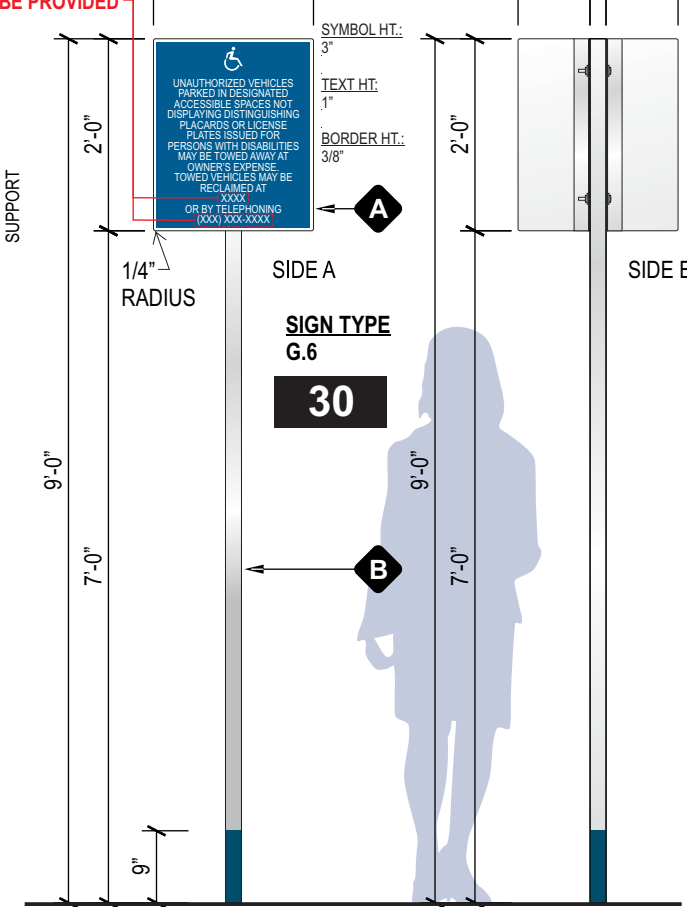
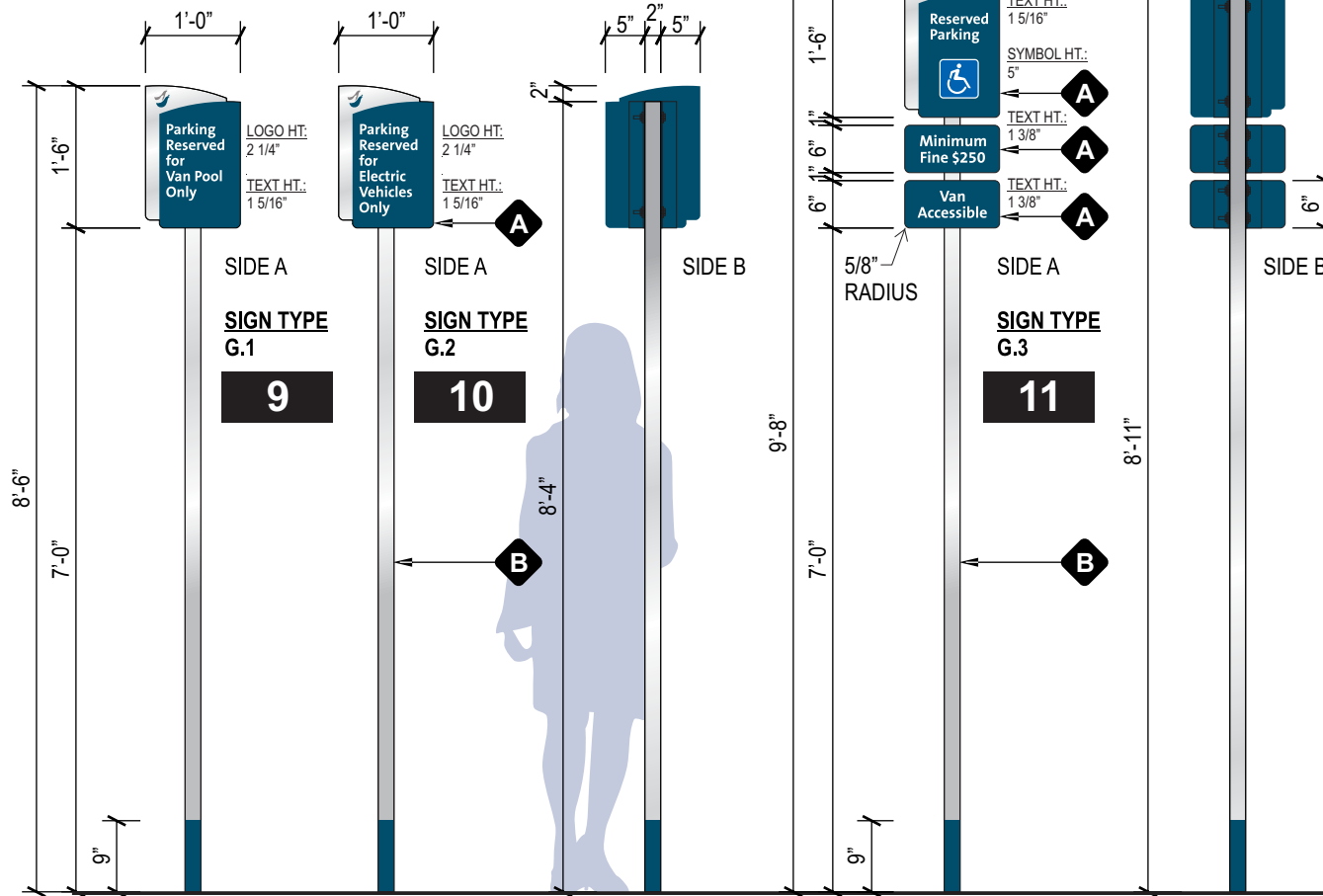
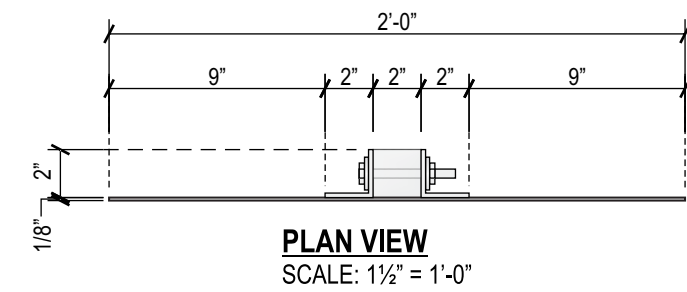
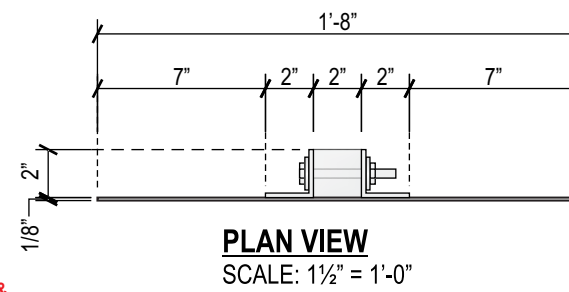
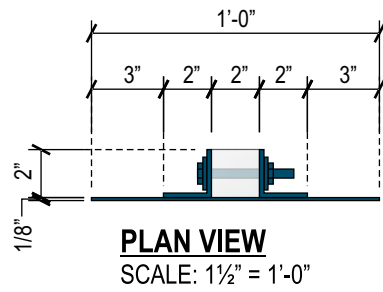
SIDE DETAIL
SCALE: 1 1/2" = 1'-0"



8.1 **8.2** **T-DIR-5-NI-DF**
SCALE: 1/2" = 1'-0"
QTY: 2

8.3 **T-DIR-5-NI-DF**
SCALE: 1/2" = 1'-0"
QTY: 1

8.4 **T-DIR-5-NI-DF**
SCALE: 1/2" = 1'-0"
QTY: 1



(G) S/F NON-ILLUM
PARKING/INFO SIGNS - INFO-XX-1.5-NI-SF
 SCALE: 1/2" = 1'-0"
 SQ. FT. = 1.5

NOTE: SEE NEXT PAGE FOR MESSAGE LAYOUTS OF THIS SIGN TYPE

SIGN SPECIFICATIONS

- A SIGN FACE**
 FACE MATERIAL: .125" THICK ALUMINUM
 FINISH: PAINTED MATTHEWS BRUSHED ALUMINUM (SATIN) & TO MATCH PMS 3025C BLUE/GREEN (SATIN).
 BACK FINISH: PAINTED TO MATCH PMS 3025C BLUE/GREEN
 GRAPHIC SPECS: 3M 680-10 REFLECTIVE WHITE VINYL COPY
 HANDICAP LOGO BACKGROUND TO BE 3M #7725-47 INTENSE BLUE
 LOGO FINISH: PAINTED TO MATCH PMS 3025C BLUE/GREEN (SATIN) & MATTHEWS PAINT MP 28448 UMBRA GREY METALLIC LRV 31.5 (SATIN)
 INSTALL METHOD: WELDED 2" X 2" X .188" ALUMINUM ANGLE BRACKETS TO SADDLE MAIN TUBE SUPPORT. THRU-BOLTED THRU MAIN SUPPORT & WELDED ANGLE BRACKETS. BRACKETS PAINTED TO MATCH PMS 3025C BLUE/GREEN
- B MAIN SUPPORTS**
 MATERIAL: 2" X 2" ALUMINUM TUBE
 FINISH: PAINTED MATTHEWS BRUSHED ALUMINUM (SATIN) & TO MATCH PMS 3025C BLUE/GREEN (SATIN)
 INSTALL METHOD: DIRECT BURIAL INTO AN AUGURED HOLE FILLED WITH CONCRETE

(G) S/F NON-ILLUM
PARKING/INFO SIGN - TOW AWAY-NI-SF
 SCALE: 1/2" = 1'-0"
 SQ. FT. = 3.3

NOTE: SEE NEXT PAGE FOR MESSAGE LAYOUTS OF THIS SIGN TYPE

SIGN SPECIFICATIONS

- A SIGN FACE**
 FACE MATERIAL: .125" THICK ALUMINUM
 FACE FINISH: PAINTED TO MATCH PMS 7462C BLUE
 BACK FINISH: PAINTED MATTHEWS BRUSHED ALUMINUM
 GRAPHIC SPECS: 3M 680-10 REFLECTIVE WHITE VINYL COPY & BORDER
 INSTALL METHOD: WELDED 2" X 2" X .188" ALUMINUM ANGLE BRACKETS TO SADDLE MAIN TUBE SUPPORT. THRU-BOLTED THRU MAIN SUPPORT & WELDED ANGLE BRACKETS. ANGLE BRACKETS PAINTED TO MATCH MATTHEWS BRUSHED ALUMINUM.
- B MAIN SUPPORTS**
 MATERIAL: 2" X 2" ALUMINUM TUBE
 FINISH: PAINTED MATTHEWS BRUSHED ALUMINUM (SATIN) & TO MATCH PMS 3025C BLUE/GREEN (SATIN)
 INSTALL METHOD: DIRECT BURIAL INTO AN AUGURED HOLE FILLED WITH CONCRETE

(G) S/F NON-ILLUM
PARKING/INFO SIGNS - INFO-STOP-2.0-NI-SF
 SCALE: 1/2" = 1'-0"
 SQ. FT. = 4.0

NOTE: SEE NEXT PAGE FOR MESSAGE LAYOUTS OF THIS SIGN TYPE

SIGN SPECIFICATIONS

- A SIGN FACE**
 FACE MATERIAL: .125" THICK ALUMINUM
 FACE FINISH: PAINTED TO MATCH PMS 186C RED
 BACK FINISH: PAINTED MATTHEWS BRUSHED ALUMINUM
 GRAPHIC SPECS: 3M 680-10 REFLECTIVE WHITE VINYL COPY & BORDER
 INSTALL METHOD: WELDED 2" X 2" X .188" ALUMINUM ANGLE BRACKETS TO SADDLE MAIN TUBE SUPPORT. THRU-BOLTED THRU MAIN SUPPORT & WELDED ANGLE BRACKETS. ANGLE BRACKETS PAINTED TO MATCH MATTHEWS BRUSHED ALUMINUM.
- B MAIN SUPPORTS**
 MATERIAL: 2" X 2" ALUMINUM TUBE
 FINISH: PAINTED MATTHEWS BRUSHED ALUMINUM (SATIN) & TO MATCH PMS 3025C BLUE/GREEN (SATIN)
 INSTALL METHOD: DIRECT BURIAL INTO AN AUGURED HOLE FILLED WITH CONCRETE

NOTE: ADDRESS & TELEPHONE # TO BE PROVIDED

CLIENT INFORMATION:
Rideout Regional Medical Center
 726 4th Street
 Marysville, CA 95901



APPROVALS:
 IG ACCOUNT MANAGER _____
 IG PRODUCTION MANAGER _____
 CLIENT APPROVAL _____

SALES REP:
Rebecca Redmon
DESIGNER:
R.Germar

REVISION DATES:
 12 10-07-2013 RLG
 13 10-15-2013 RLG
 14 12-03-2013 RLG
 15 12-10-2013 RLG
 16 12-30-2013 RLG

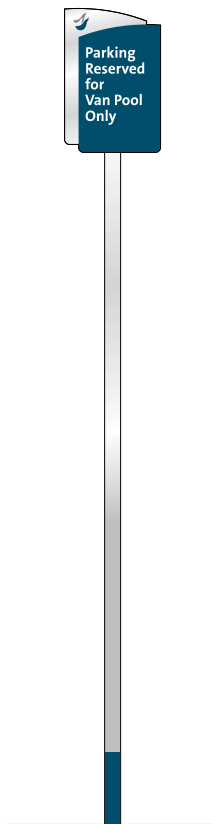
VOLTAGE: 120V
 240V

THIS ORIGINAL UNPUBLISHED DESIGN IS THE SOLE PROPERTY OF IMAGE GROUP. IT CANNOT BE REPRODUCED, COPIED OR EXHIBITED IN WHOLE OR PART, WITHOUT FIRST OBTAINING WRITTEN CONSENT FROM IMAGE GROUP. COLORS REPRESENTED IN THIS DRAWING ARE FOR PRESENTATION PURPOSES ONLY. THEY MAY NOT MATCH YOUR FINISHED PRODUCT PERFECTLY. COLOR CALL-OUTS ARE FOR REFERENCE PURPOSES ONLY.

PRIMARY ELECTRICAL TO SIGN LOCATIONS IS TO BE PROVIDED BY OTHERS. 20 AMP DEDICATED CIRCUIT(S) WITH NO SHARED NEUTRALS AND A GROUND RETURNING TO THE PANEL IS REQUIRED FOR ALL INSTALLATIONS. THIS SIGN IS INTENDED TO BE INSTALLED IN ACCORDANCE WITH THE REQUIREMENTS OF ARTICLE 600 OF THE NATIONAL ELECTRICAL CODE AND/OR OTHER APPLICABLE LOCAL CODES. THIS INCLUDES PROPER GROUNDING AND BONDING OF THE SIGN.

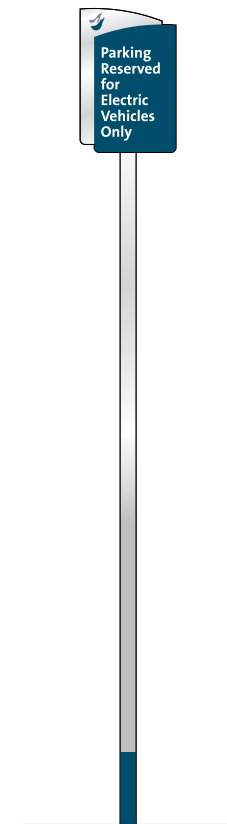
DATE
01-30-2013
DESIGN NO:
Rideout Master Sign Program
PROJECT LOCATION:
Marysville, CA

SIGN TYPE:
Sign Types G
Directional Sign
Details



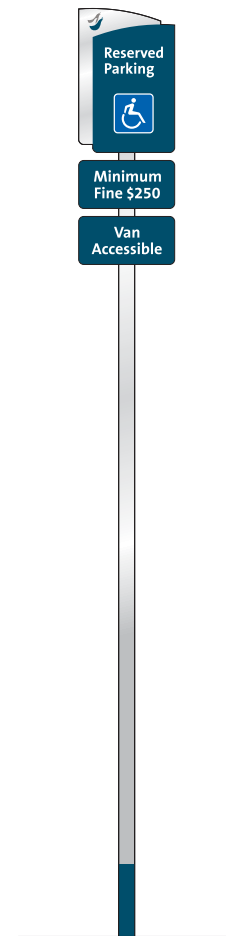
9.1 | 9.2

INFO-VP-1.5-NI-SF
SCALE: 1/2" = 1'-0"
QTY: 2



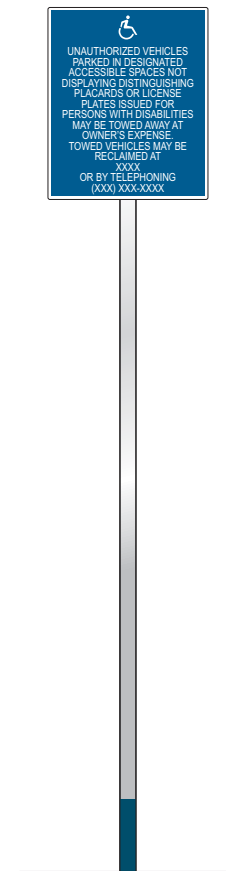
10

INFO-EL-1.5-NI-SF
SCALE: 1/2" = 1'-0"
QTY: TBD



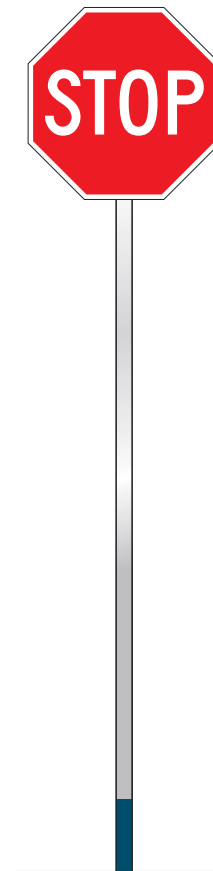
11.1 - 11.19

INFO-HC-1.5-NI-SF
SCALE: 1/2" = 1'-0"
QTY: 19



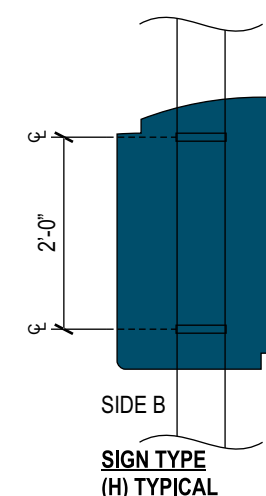
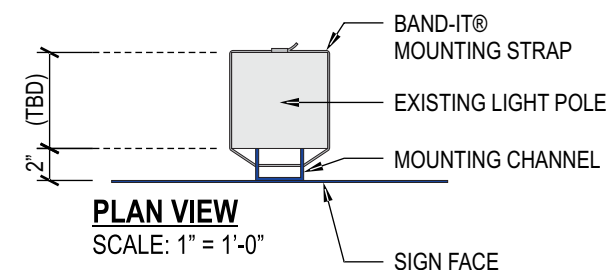
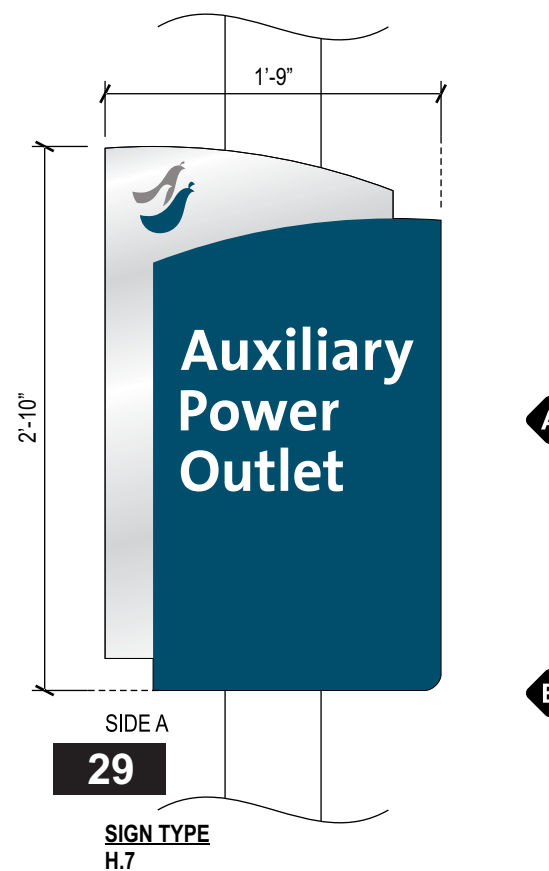
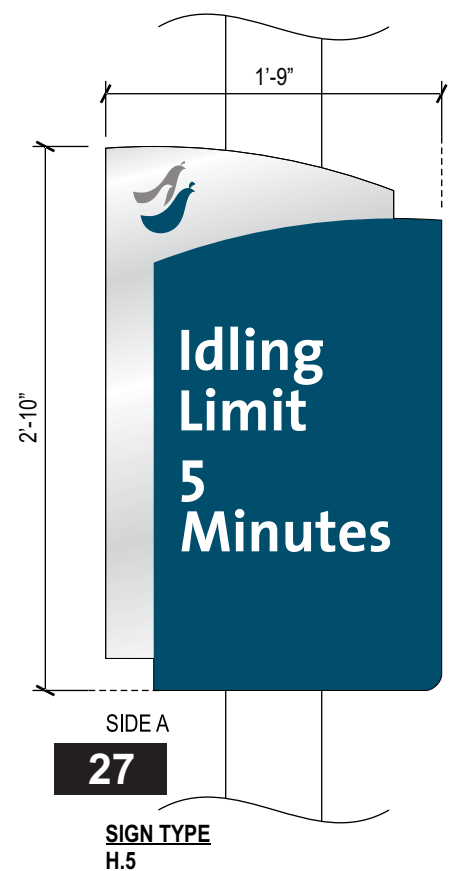
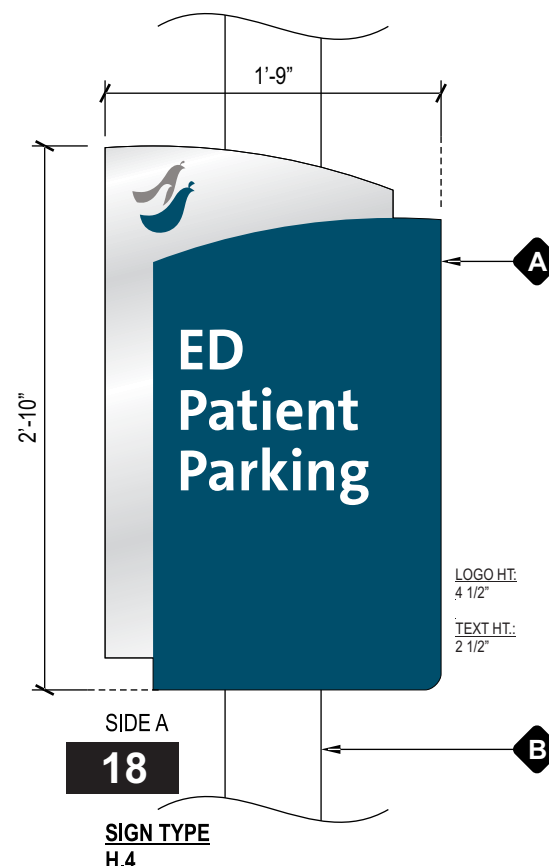
30

TOW AWAY-NI-SF
SCALE: 1/2" = 1'-0"
QTY. & LOCATIONS TBD



26.1 - 26.4

INFO-STOP-2.0-NI-SF
SCALE: 1/2" = 1'-0"
QTY: 4

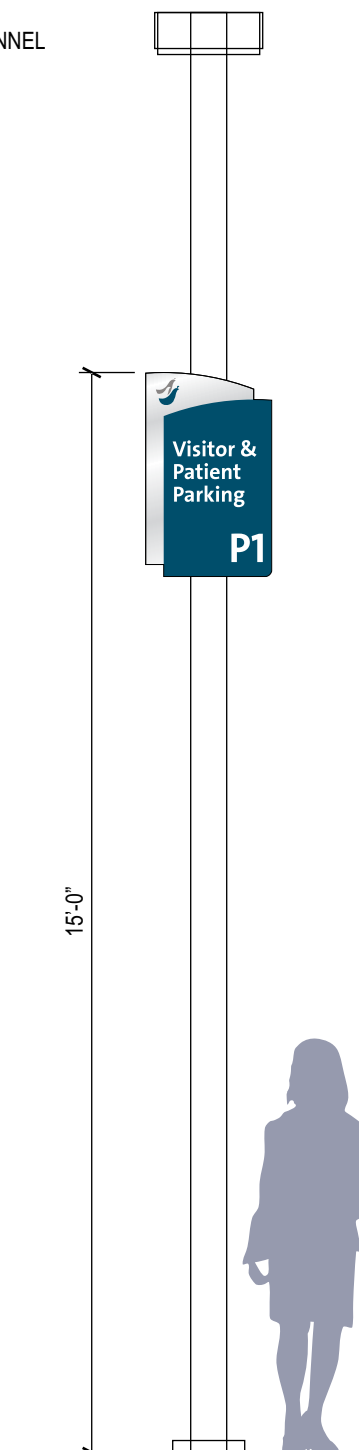


(H) S/F NON-ILLUM
PARKING ID SIGNS - PARKID-XX-5-NI-SF
SCALE: 1" = 1'-0"
SQ. FT. = 4.95

SIGN SPECIFICATIONS

A SIGN FACE
FACE MATERIAL: .125" THICK ALUMINUM
FINISH: PAINTED MATTHEWS BRUSHED ALUMINUM (SATIN) & TO MATCH PMS 3025C BLUE/GREEN (SATIN), PMS 3025C BLUE/GREEN (SATIN),
BACK FINISH: PAINTED TO MATCH PMS 3025C BLUE/GREEN (SATIN),
GRAPHIC SPECS: 3M 680-10 REFLECTIVE WHITE VINYL COPY,
LOGO FINISH: PAINTED TO MATCH PMS 3025C BLUE/GREEN (SATIN) & MATTHEWS PAINT MP 28448 UMBRA GREY METALLIC LRV 31.5 (SATIN),
INSTALL METHOD: WELDED 3" X 2" X .188" ALUMINUM CHANNEL BRACKET, W/ SLOTS (X2) TO ACCEPT BAND-IT TIE STRAPS (X2),

B MAIN SUPPORTS
MATERIAL: EXISTING LIGHT POLES - SURVEY TO DETERMINE SIZE.



TYPICAL ELEVATION VIEW
SCALE: 3/8" = 1'-0"



SIGN TYPE
H.1

12.1 - 12.8

PARKID-EMPL-5-NI-SF
SCALE: 1" = 1'-0"
QTY. & LOCATIONS TBD



SIGN TYPE
H.2

13.1 - 13.9

PARKID-P1-5-NI-SF
SCALE: 1" = 1'-0"
QTY: 9



SIGN TYPE
H.2

14.1 - 14.6

PARKID-P2-5-NI-SF
SCALE: 1" = 1'-0"
QTY: 6



SIGN TYPE
H.2

15.1 - 15.8

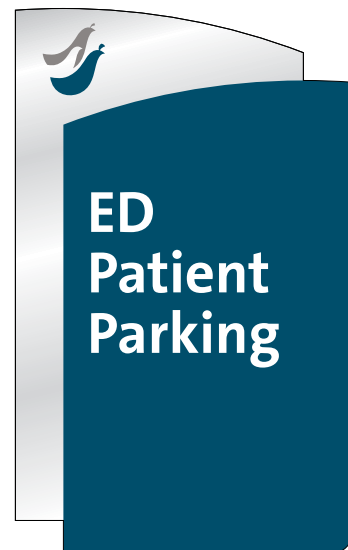
PARKID-P3-5-NI-SF
SCALE: 1" = 1'-0"
QTY: 8



SIGN TYPE
H.2

16.1 - 16.7

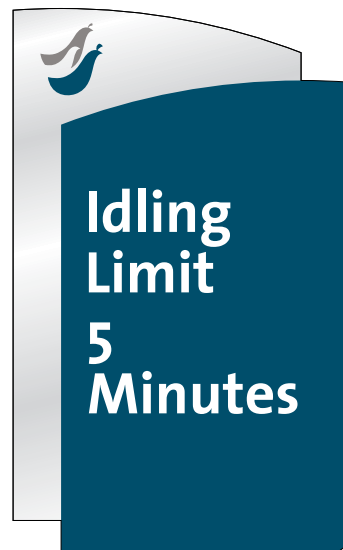
PARKID-P4-5-NI-SF
SCALE: 1" = 1'-0"
QTY: 7



SIGN TYPE
H.4

18.1 - 18.7

PARKID-ED-5-NI-SF
SCALE: 1" = 1'-0"
QTY: 7



SIGN TYPE
H.5

27

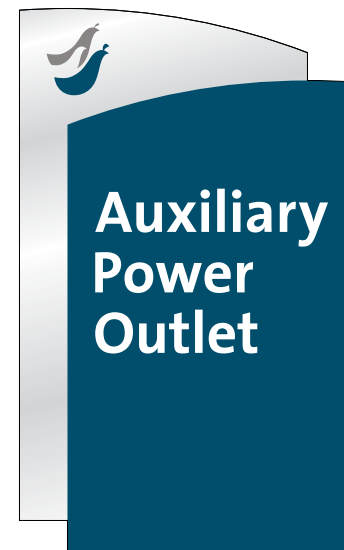
MAX IDLE-NI-SF
SCALE: 1" = 1'-0"
QTY. & LOCATIONS TBD



SIGN TYPE
H.6

28

FACILITIES-NI-SF
SCALE: 1" = 1'-0"
QTY. & LOCATIONS TBD



SIGN TYPE
H.7

29

AUXILIARY-NI-SF
SCALE: 1" = 1'-0"
QTY. & LOCATIONS TBD

SIGN SPECIFICATIONS

A CHANNEL LETTERS
RETURN MATERIAL: .040" THICK ALUMINUM
RETURN FINISH: WHITE (SATIN)
RETURN DEPTH: 5"
SPACED OFF WALL DEPTH: 2"
SPACER MATERIAL: 3/4" DIA. X 2" LONG ALUM. SLEEVE SPACER
SPACER FINISH: PAINTED SATIN WHITE
FACE MATERIAL: 3/16" THICK ACRYLIC
FACE FINISH: WHITE #7328
TRIM CAP MATERIAL: 1" TRIM CAP
TRIM CAP FINISH: WHITE
INTERNAL ILLUMINATION: WHITE LED'S
LETTER BACK MATERIAL: .063" THK. ALUMINUM
POWER SUPPLIES: 12V POWER SUPPLIES (SELF-CONTAINED)
INSTALL METHOD: MOUNTED TO EXTERIOR BUILDING WALL VIA 3/8" DIA. S/S THREADED STUDS (3/8" DIA. X 6")

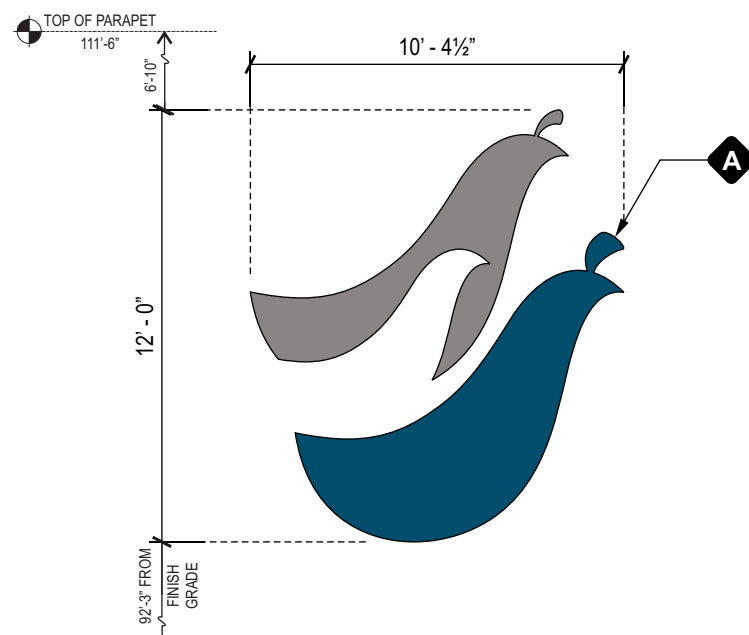
UPDATED 2013
REVISED TO
SELF-CONTAINED

UPDATED 2013
REVISED DIAM.

112' - 9 1/2"

RIDEOUT REGIONAL MEDICAL CENTER

19.1 (I) FACE ILLUMINATED CHANNEL LETTERS - CL-48
SCALE: 3/32" = 1'-0"
SQ. FT. = 451 QTY: 1



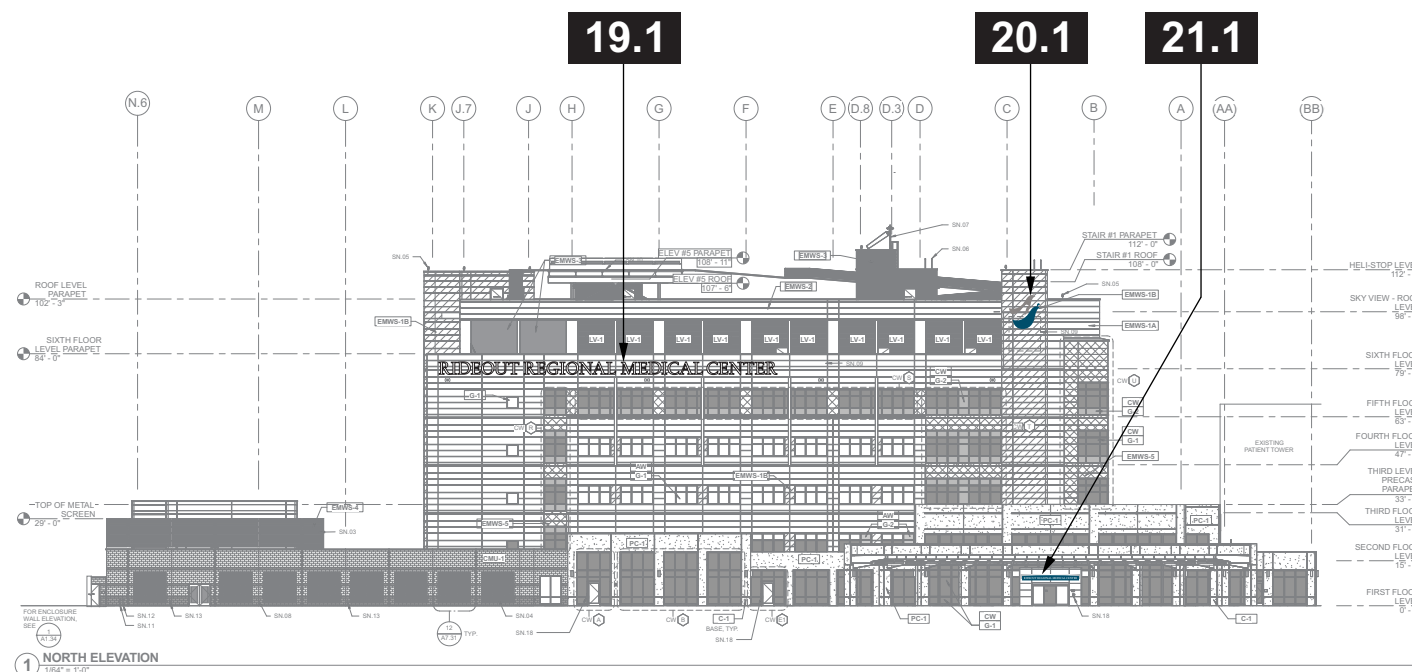
20.1 (J) HALO ILLUMINATED CHANNEL LOGO - CL-144-HI
SCALE: 3/16" = 1'-0"
SQ. FT. = 124.5 QTY: 1

SIGN SPECIFICATIONS

A CHANNEL LOGO
RETURN MATERIAL: .080" THICK ALUMINUM
RETURN FINISH: PAINTED TO MATCH PMS 3025C BLUE/GREEN (SATIN) & MATTHEWS PAINT MP 28448. UMBRA GREY METALLIC LRV 31.5 (SATIN)
RETURN DEPTH: 5"
FACE MATERIAL: .125" THICK ALUMINUM
FACE FINISH: PAINTED TO MATCH PMS 3025C BLUE/GREEN (SATIN) & MATTHEWS PAINT MP 28448. UMBRA GREY METALLIC LRV 31.5 (SATIN)
SPACED OFF DIMENSION: 2"
SPACER MATERIAL: 3/4" DIA. X 2" LONG ALUM. SLEEVE SPACER
SPACER FINISH: PAINTED SATIN WHITE
INTERNAL ILLUMINATION: WHITE LED'S
LETTER BACK MATERIAL: 3/16" THICK CLEAR LEXAN
POWER SUPPLIES: 12V POWER SUPPLIES (REMOTELY MOUNTED)
INSTALL METHOD: MOUNTED TO EXTERIOR BUILDING WALL VIA 3/8" DIA. S/S THREADED STUDS (3/8" DIA. X 7")

UPDATED 2013
REVISED DIAM.

UPDATED 2013
REVISED LENGTH

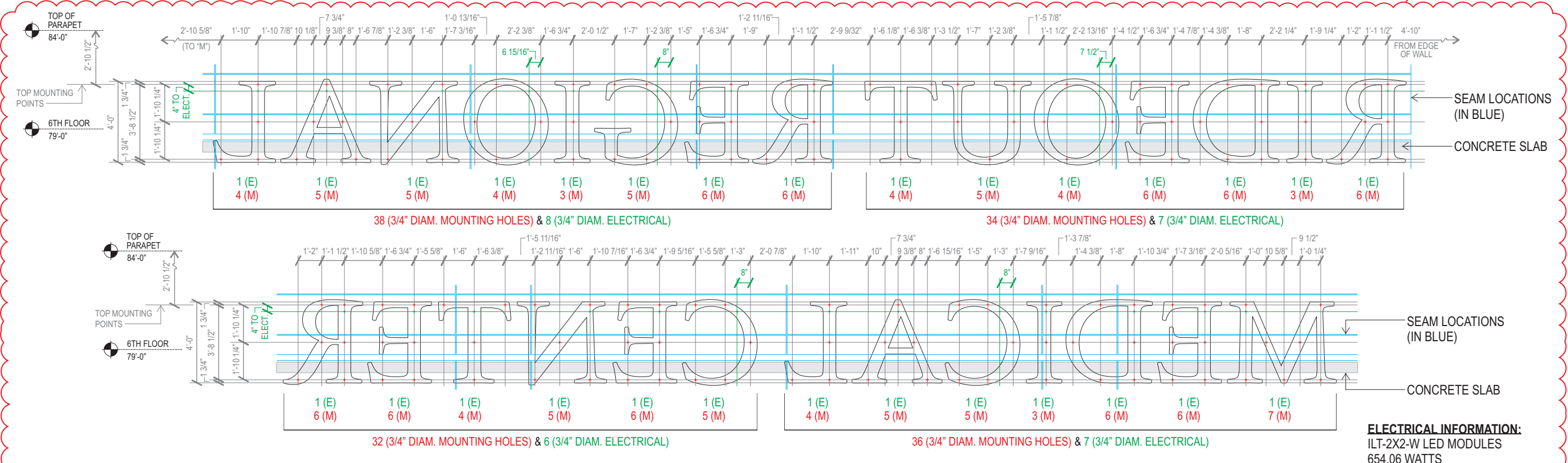


1 NORTH ELEVATION
1/8" = 1'-0"

112' - 9 1/2"

RIDEOUT REGIONAL MEDICAL CENTER

1 UPDATED 2013
REVISED CONNECTION POINTS
& ADDED ELECTRICAL INFORMATION



MOUNTING HOLES AND ELECTRICAL (TOP PENETRATIONS)

SCALE: 3/16" = 1'-0"

ELECTRICAL INFORMATION:
ILT-2X2-W LED MODULES
654.06 WATTS
11, ILT-CEN-60-12 POWER SUPPLY

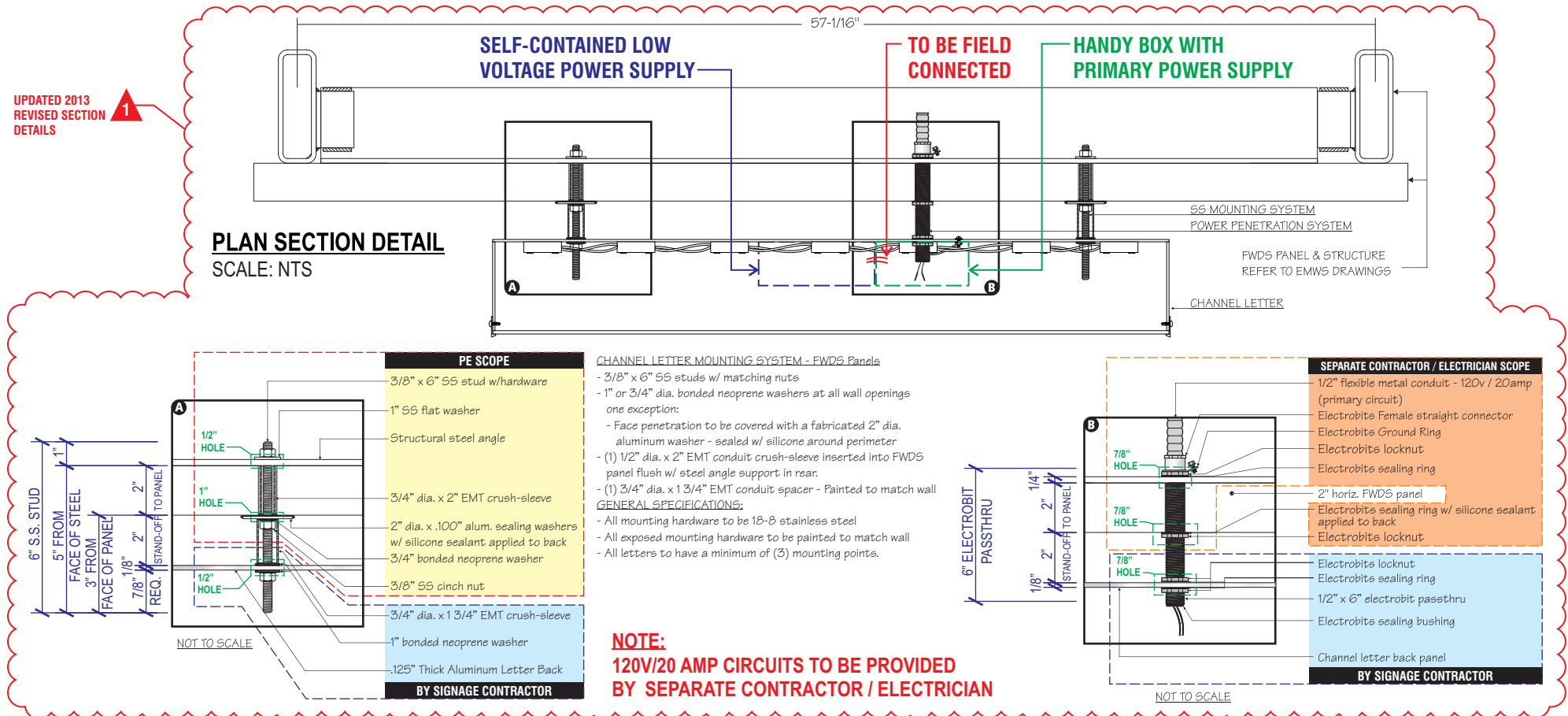
BASIC WIND SPEED 90 MPH
-3 SEC GUST WIND
IMPORTANCE FACTOR: 1.0
EXPOSURE B

ESTIMATED SIGN WEIGHT
4.5 lbs. PER LETTER

ESTIMATED ELECTRICAL LOAD
TBD @ 120VAC
ESTIMATED ELECTRICAL REQ.
(1)20A circuit @ 120VAC

GENERAL NOTES:

- U.L. LISTED - FILE NUMBER E162744
- ALL ELECTRICAL WORK SHALL BE PERFORMED IN ACCORDANCE WITH "NEC" REF. SECTION 600
- ALL ELECTRICAL SIGN SECTIONS TO HAVE U.L. LABEL IN ACCORDANCE WITH "NEC" 600.3 AND MANUFACTURERS LABEL LOCATED NEXT TO DISCONNECT SWITCH
- ALL NON-CURRENT CARRYING METAL PARTS OF SIGN SHALL BE GROUNDED & BONDED IN ACCORDANCE WITH "NEC" 250
- ALL WIRING CONTAINED IN ENCLOSED AREAS WITH LAMPS SHALL BE FIXTURE RATED
- SPlicing OF CONDUCTORS SHALL BE MADE IN JUNCTION BOXES OR SIMILAR METAL ENCLOSURES
- AT THE POINT THAT ELECTRICAL CABLE PASSES THRU THE SIGN BOX, IT SHALL PASS THRU A U.L. LISTED RUBBER GROMMET



NOTE:
120V/20 AMP CIRCUITS TO BE PROVIDED
BY SEPARATE CONTRACTOR / ELECTRICIAN

imageGROUP
ENVIRONMENTAL GRAPHICS • SIGNAGE • WAYFINDING • CORPORATE BRANDING

SEATTLE • SAN DIEGO

MAIN OFFICE
380 STEVENS AVENUE #307
SOLANA BEACH, CA 92075

PHONE: 858.345.1542
FAX: 858.408.3203

CLIENT INFORMATION:
Rideout Regional Medical Center
726 4th Street
Marysville, CA 95901

RIDEOUT REGIONAL MEDICAL CENTER

APPROVALS:
IG ACCOUNT MANAGER _____
IG PRODUCTION MANAGER _____
CLIENT APPROVAL _____

SALES REP:
Rebecca Redmon

DESIGNER:
R.Germar

REVISION DATES:

- 12 10-07-2013 RLG
- 13 10-15-2013 RLG
- 14 12-03-2013 RLG
- 15 12-10-2013 RLG
- 16 12-30-2013 RLG

VOLTAGE: 120V
240V

THIS ORIGINAL UNPUBLISHED DESIGN IS THE SOLE PROPERTY OF IMAGE GROUP. IT CANNOT BE REPRODUCED, COPIED OR EXHIBITED IN WHOLE OR PART, WITHOUT FIRST OBTAINING WRITTEN CONSENT FROM IMAGE GROUP. COLORS REPRESENTED IN THIS DRAWING ARE FOR PRESENTATION PURPOSES ONLY. THEY MAY NOT MATCH YOUR FINISHED PRODUCT PERFECTLY. COLOR CALL-OUTS ARE FOR REFERENCE PURPOSES ONLY.

PRIMARY ELECTRICAL TO SIGN LOCATIONS IS TO BE PROVIDED BY OTHERS. 20 AMP DEDICATED CIRCUIT(S) WITH NO SHARED NEUTRALS AND A GROUND RETURNING TO THE PANEL IS REQUIRED FOR ALL INSTALLATIONS. THIS SIGN IS INTENDED TO BE INSTALLED IN ACCORDANCE WITH THE REQUIREMENTS OF ARTICLE 600 OF THE NATIONAL ELECTRICAL CODE AND/OR OTHER APPLICABLE LOCAL CODES. THIS INCLUDES PROPER GROUNDING AND BONDING OF THE SIGN.

DATE
01-30-2013

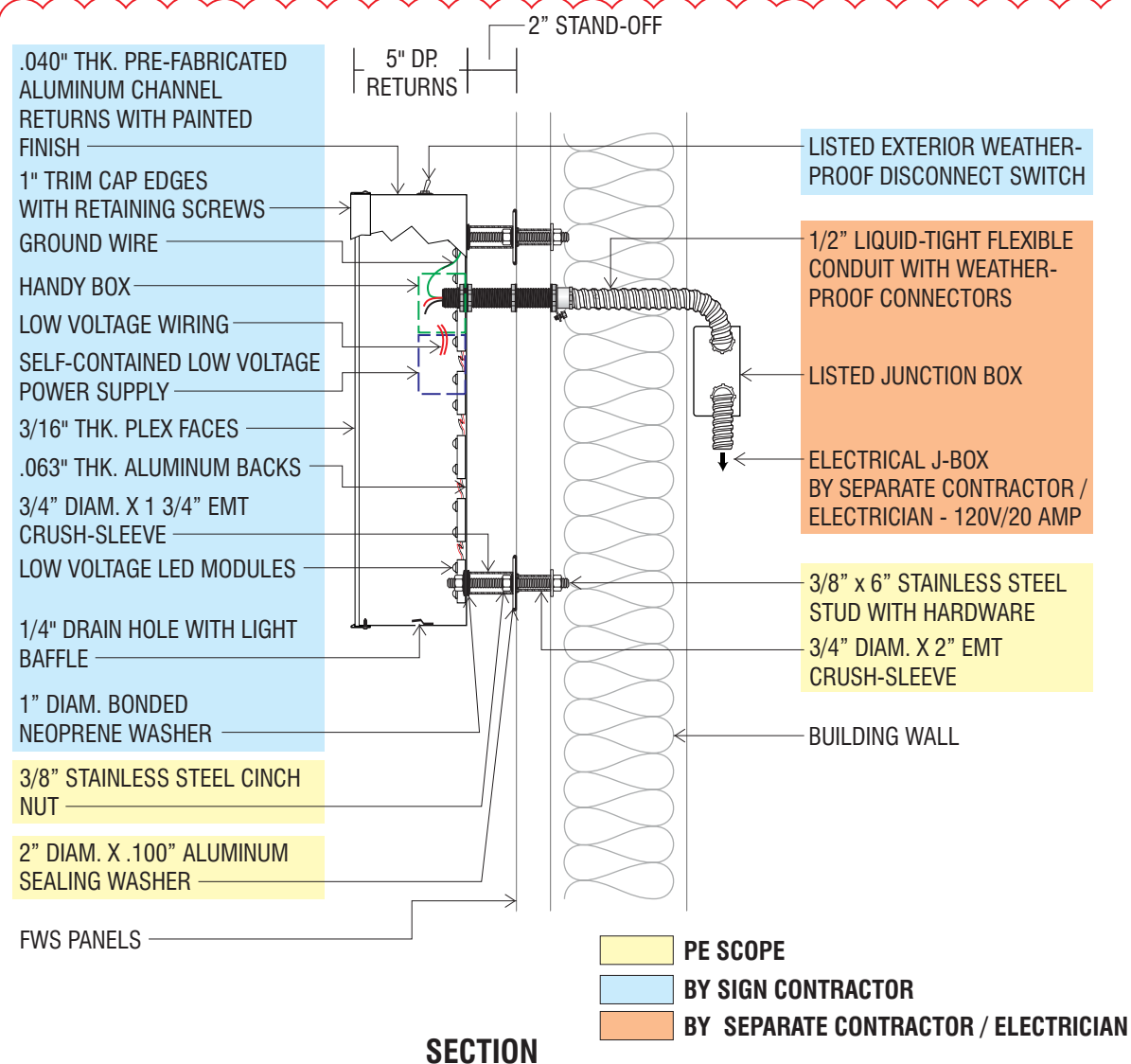
DESIGN NO:
Rideout Master Sign Program

PROJECT LOCATION:
Marysville, CA

SIGN TYPE:
Sign Type I Building Sign Construction Details

UPDATED 2013
ADDED CONSTRUCTION DETAILS

UPDATED 2013
ADDED CROSS SECTION



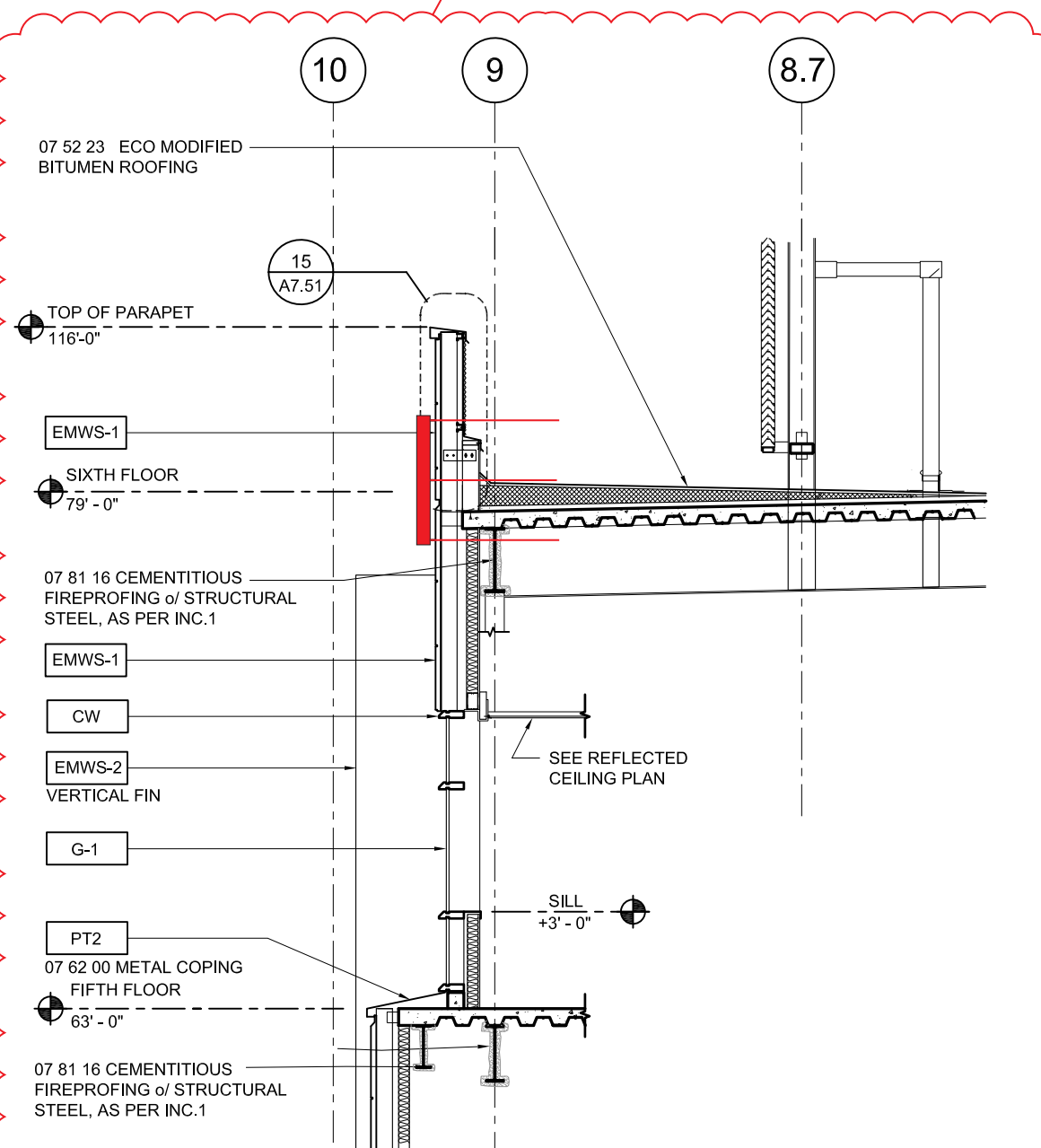
SECTION

SIGN TO BE UL APPROVED AND BEAR UL LABEL

PLEX FACED CHANNEL LETTERS WITH LED ILLUMINATION

NOTE:
THIS SIGN IS TO BE INSTALLED IN ACCORDANCE WITH THE REQUIREMENTS OF ARTICLE 600 OF THE NATIONAL ELECTRICAL CODE AND/OR OTHER APPLICABLE LOCAL CODES. THIS INCLUDES PROPER GROUNDING AND BONDING OF THE SIGN.

NOTE:
120V/20 AMP CIRCUITS TO BE PROVIDED
BY SEPARATE CONTRACTOR / ELECTRICIAN



4 WALL SECTION 3 AT NORTH ELEVATION

SCALE: 3/16" = 1'-0"

19.1

Y.J. INC.

25379 Wayne Mills Pl # 272
Valencia, CA 91355

Sign Design Based on 2007 CBC

DATE 8/2/2013

TEL: (661) 259-0700

FAX: (661) 259-0900

Job # JTS_30613
Project Rideout Regional Medical Center - Sign I
Job Location 726 4th Street
Marysville, CA.

INPUT DATA		Consider Letter "M"
Exposure category (B, C or D)	=	C
Importance factor, pg 73, (0.87, 1.0 or 1.15)	I =	1.15 Category III or IV
Basic wind speed (3 sec. gust wind)	V =	90 mph
Topographic factor (Sec.6.5.7.2, pg 26 & 45)	K_{zt} =	1 Flat
Height of top	h =	81 ft
Vertical dimension (for wall, s = h)	s =	4 ft
Average horizontal dimension	B =	1.74 ft
Dimension of return corner	L =	0.42 ft

DESIGN SUMMARY	
Max horizontal wind pressure	p = 39 psf
Max total horizontal force at cei	F = 0.271 kips

ANALYSIS	
<u>Velocity pressure</u>	
$q_h = 0.00256 K_z K_{zt} K_d V^2 I$	= 24.59 psf
where:	
q_h = velocity pressure at mean roof height, h, (Eq. 6-15, page 27)	
K_z = velocity pressure exposure coefficient	= 1.21
evaluated at height, h, (Tab. 6-3, Case 1, pg 70)	
K_{zt} = wind directionality factor. (Tab. 6-4, for building, page 80)	= 0.85
h = height of top	= 81.00 ft

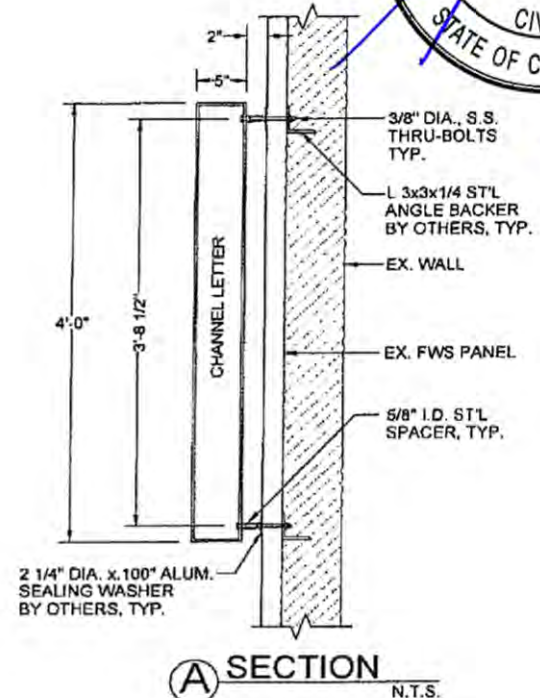
Wind Force Case A: resultant force through the geometric center (Sec. 6.5.14 & Fig. 6-20)	
$p = q_h G C_f$	= 39 psf
$F = p A_w$	= 0.27 kips
where: G = gust effect factor. (Sec. 6.5.8, page 26)	
C_f = net force coefficient. (Fig. 6-20, page 73)	= 0.85
$A_w = B s$	= 1.85
	= 6.96 ft ²

Weight of cabinet, DL =	50 Lbs
Vertical distance between anchors, y =	3.71 ft
b (return) =	0.42 ft
Offset from wall =	0.17 ft
Min. no. of top or bott. anchors =	1 no.

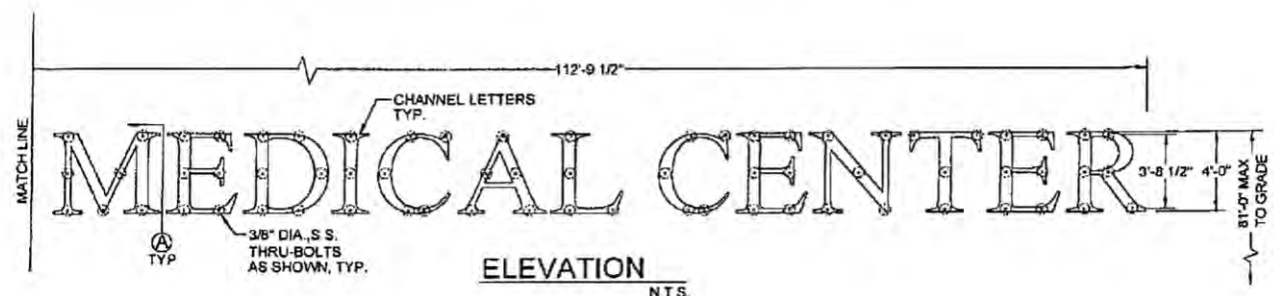
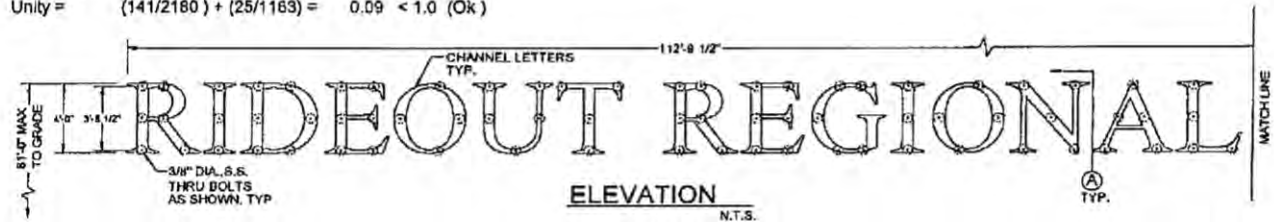
Anchor Design		Stainless Steel Thru-Bolts
Tension Req'd.	USE T304	
Ten = 141	3/8" Dia.,	T=2,180
Shear Required		
V = 25		V=1,163
Unity =	(141/2180) + (25/1163) =	0.09 < 1.0 (Ok)



AUG 02 2013



1 UPDATED 2013
ADDED ENGINEERING



NOTE: SIGN DESIGN IS BASED ON ADEQUATE EXISTING SUPPORT ELEMENTS.

imageGROUP
ENVIRONMENTAL GROUPS • SOILAGE • WATERWAYS • CORPORATE BRANDING
SEATTLE • SAN DIEGO
MAIN OFFICE
380 STEVENS AVENUE #307
SOLANA BEACH, CA 92075
PHONE: 858.345.1542
FAX: 858.408.3203

CLIENT INFORMATION:
**Rideout Regional
Medical Center**
726 4th Street
Marysville, CA 95901



APPROVALS:
IG ACCOUNT MANAGER _____
IG PRODUCTION MANAGER _____
CLIENT APPROVAL _____

SALES REP:
Rebecca Redmon
DESIGNER:
R.Germar

- REVISION DATES:
- 12 10-07-2013 RLG
 - 13 10-15-2013 RLG
 - 14 12-03-2013 RLG
 - 15 12-10-2013 RLG
 - 16 12-30-2013 RLG

VOLTAGE: 120V
240V

THIS ORIGINAL UNPUBLISHED DESIGN IS THE SOLE PROPERTY OF IMAGE GROUP. IT CANNOT BE REPRODUCED, COPIED OR EXHIBITED IN WHOLE OR PART, WITHOUT FIRST OBTAINING WRITTEN CONSENT FROM IMAGE GROUP. COLORS REPRESENTED IN THIS DRAWING ARE FOR PRESENTATION PURPOSES ONLY. THEY MAY NOT MATCH YOUR FINISHED PRODUCT PERFECTLY. COLOR CALL-OUTS ARE FOR REFERENCE PURPOSES ONLY.

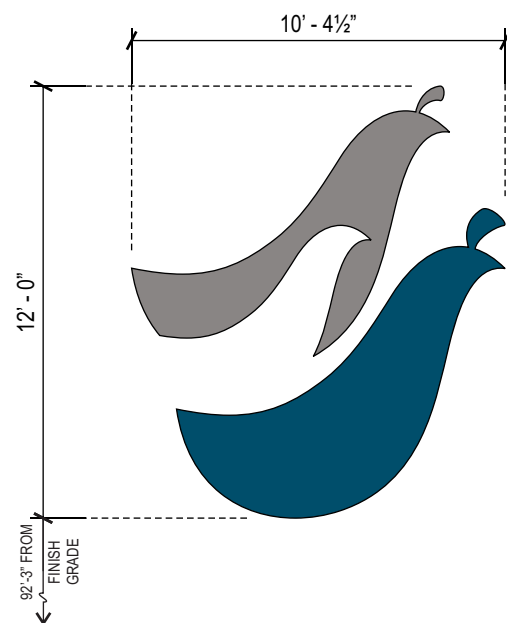
PRIMARY ELECTRICAL TO SIGN LOCATIONS IS TO BE PROVIDED BY OTHERS. 20 AMP DEDICATED CIRCUIT(S) WITH NO SHARED NEUTRALS AND A GROUND RETURNING TO THE PANEL IS REQUIRED FOR ALL INSTALLATIONS. THIS SIGN IS INTENDED TO BE INSTALLED IN ACCORDANCE WITH THE REQUIREMENTS OF ARTICLE 600 OF THE NATIONAL ELECTRICAL CODE AND/OR OTHER APPLICABLE LOCAL CODES. THIS INCLUDES PROPER GROUNDING AND BONDING OF THE SIGN.

DATE
01-30-2013
DESIGN NO:
Rideout Master Sign Program
PROJECT LOCATION:
Marysville, CA
SIGN TYPE:
**Sign Type I
Channel Letter
Engineering**



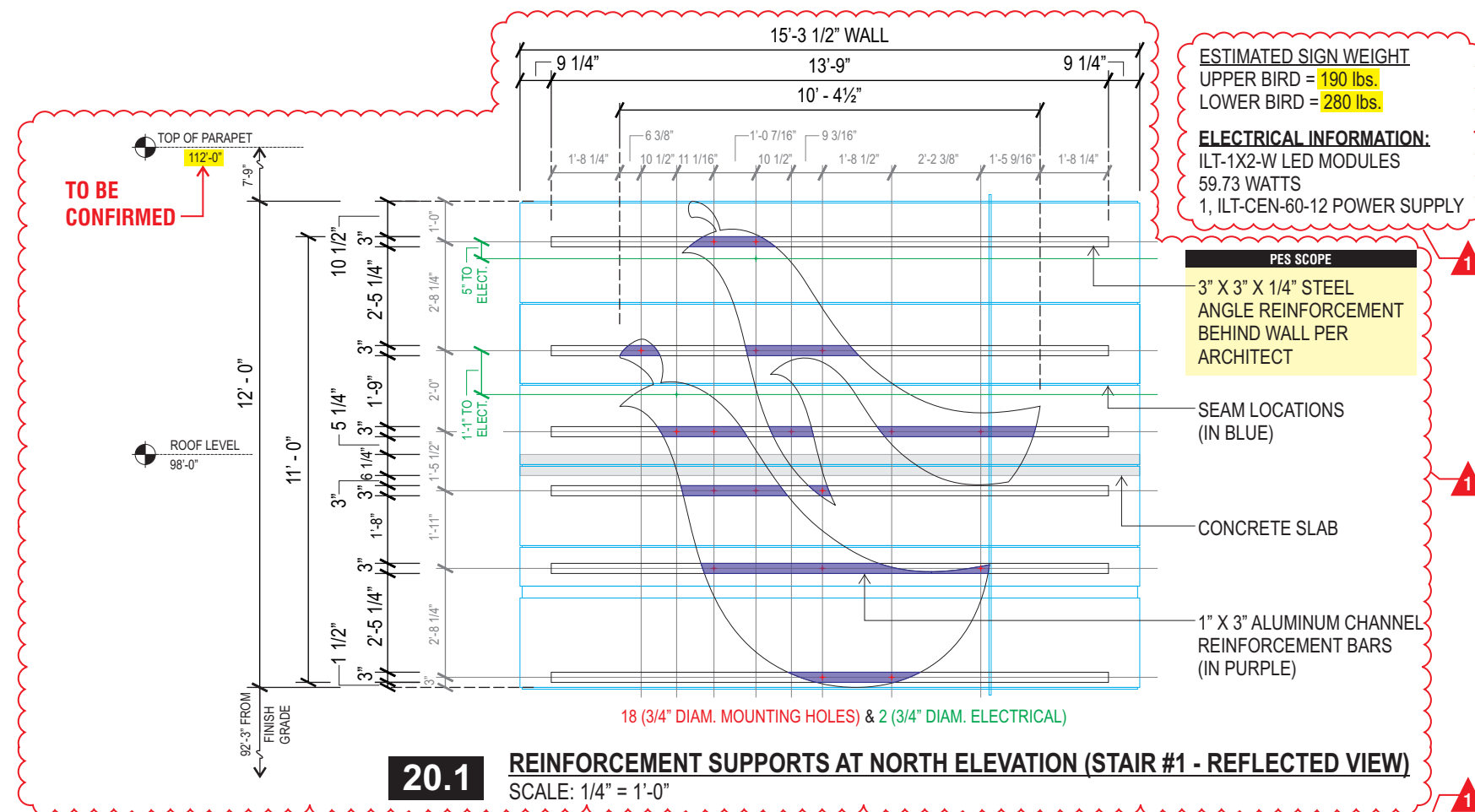
THIS ORIGINAL UNPUBLISHED DESIGN IS THE SOLE PROPERTY OF IMAGE GROUP. IT CANNOT BE REPRODUCED, COPIED OR EXHIBITED IN WHOLE OR PART, WITHOUT FIRST OBTAINING WRITTEN CONSENT FROM IMAGE GROUP. COLORS REPRESENTED IN THIS DRAWING ARE FOR PRESENTATION PURPOSES ONLY. THEY MAY NOT MATCH YOUR FINISHED PRODUCT PERFECTLY. COLOR CALL-OUTS ARE FOR REFERENCE PURPOSES ONLY.

PRIMARY ELECTRICAL TO SIGN LOCATIONS IS TO BE PROVIDED BY OTHERS. 20 AMP DEDICATED CIRCUIT(S) WITH NO SHARED NEUTRALS AND A GROUND RETURNING TO THE PANEL IS REQUIRED FOR ALL INSTALLATIONS. THIS SIGN IS INTENDED TO BE INSTALLED IN ACCORDANCE WITH THE REQUIREMENTS OF ARTICLE 600 OF THE NATIONAL ELECTRICAL CODE AND/OR OTHER APPLICABLE LOCAL CODES. THIS INCLUDES PROPER GROUNDING AND BONDING OF THE SIGN.



20.1 20.2

(J) HALO ILLUMINATED CHANNEL LOGO - CL-144-HI
 SCALE: 3/16" = 1'-0"
 SQ. FT. = 124.5 QTY: 2



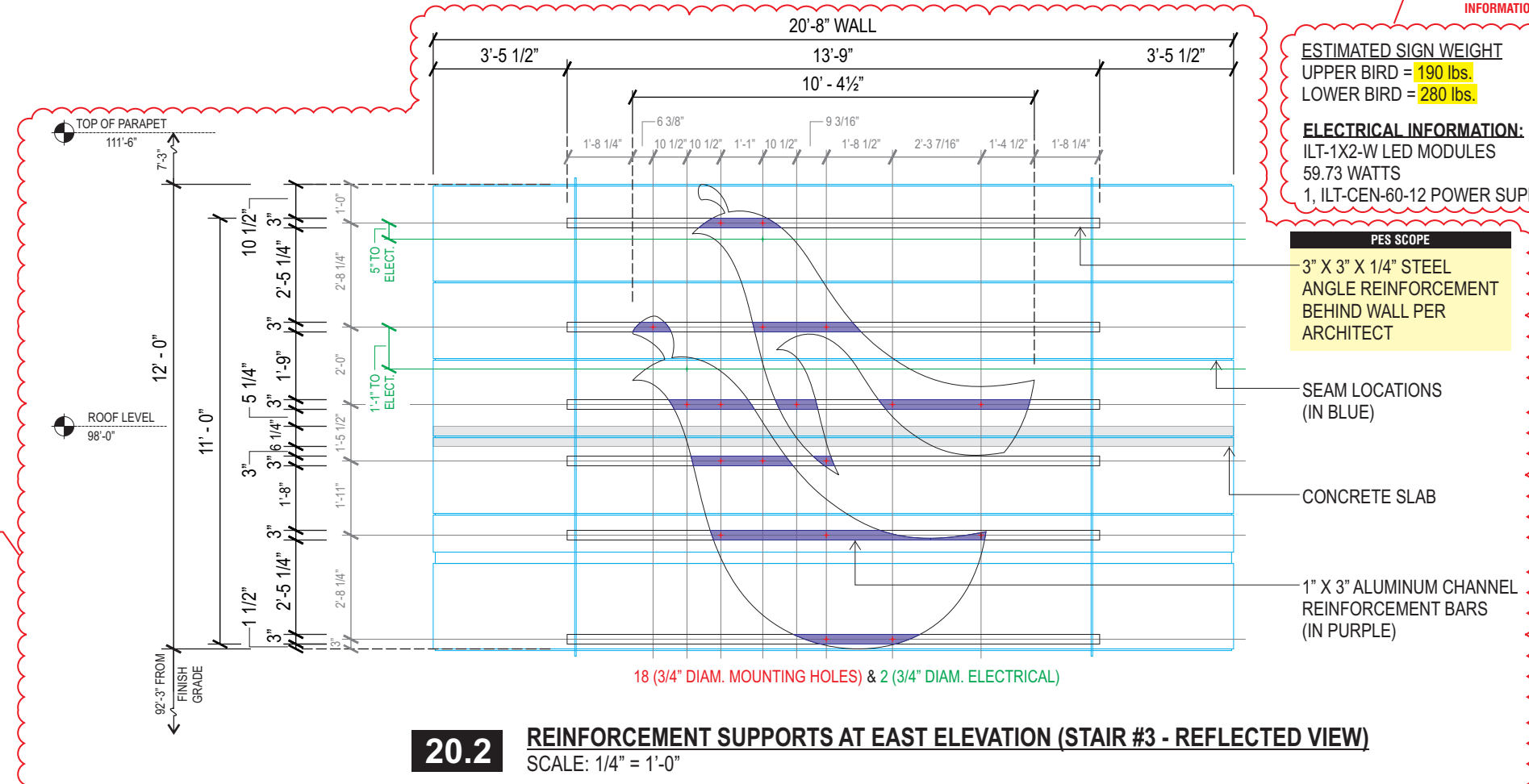
20.1 REINFORCEMENT SUPPORTS AT NORTH ELEVATION (STAIR #1 - REFLECTED VIEW)
 SCALE: 1/4" = 1'-0"

ESTIMATED SIGN WEIGHT
 UPPER BIRD = 190 lbs.
 LOWER BIRD = 280 lbs.
ELECTRICAL INFORMATION:
 ILT-1X2-W LED MODULES
 59.73 WATTS
 1, ILT-CEN-60-12 POWER SUPPLY

1 UPDATED 2013
 ADDED WEIGHTS & ELECTRICAL INFORMATION

1 UPDATED 2013
 ADDED MOUNTING POINTS & REINFORCEMENT ANGLES

1 UPDATED 2013
 ADDED WEIGHTS & ELECTRICAL INFORMATION



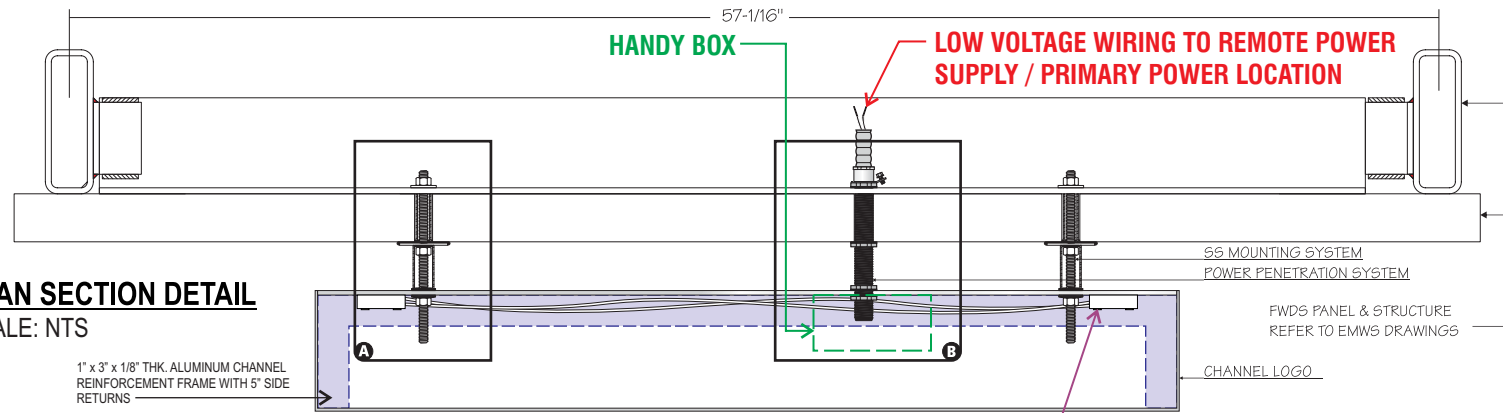
20.2 REINFORCEMENT SUPPORTS AT EAST ELEVATION (STAIR #3 - REFLECTED VIEW)
 SCALE: 1/4" = 1'-0"

ESTIMATED SIGN WEIGHT
 UPPER BIRD = 190 lbs.
 LOWER BIRD = 280 lbs.
ELECTRICAL INFORMATION:
 ILT-1X2-W LED MODULES
 59.73 WATTS
 1, ILT-CEN-60-12 POWER SUPPLY

1 UPDATED 2013
 ADDED MOUNTING POINTS & REINFORCEMENT ANGLES

UPDATED 2013
REVISED DETAILS 1

PLAN SECTION DETAIL
SCALE: NTS

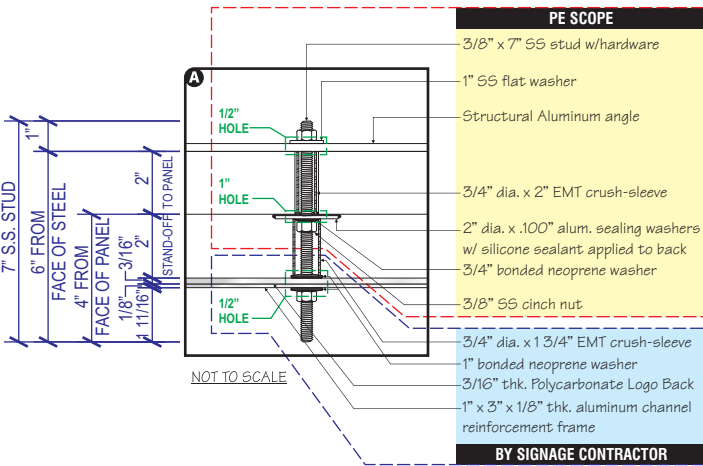


1" x 3" x 1/8" THK. ALUMINUM CHANNEL REINFORCEMENT FRAME WITH 5" SIDE RETURNS

SS MOUNTING SYSTEM POWER PENETRATION SYSTEM

FWD5 PANEL & STRUCTURE REFER TO EMWS DRAWINGS

CHANNEL LOGO

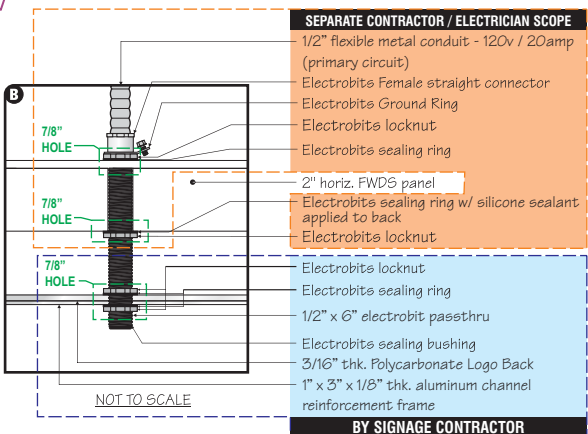


- PE SCOPE**
- 3/8" x 7" SS stud w/hardware
 - 1" SS flat washer
 - Structural Aluminum angle
 - 3/4" dia. x 2" EMT crush-sleeve
 - 2" dia. x .100" alum. sealing washers w/ silicone sealant applied to back
 - 3/4" bonded neoprene washer
 - 3/8" SS cinch nut
 - 3/4" dia. x 1 3/4" EMT crush-sleeve
 - 1" bonded neoprene washer
 - 3/16" thk. Polycarbonate Logo Back
 - 1" x 3" x 1/8" thk. aluminum channel reinforcement frame
- BY SIGNAGE CONTRACTOR**

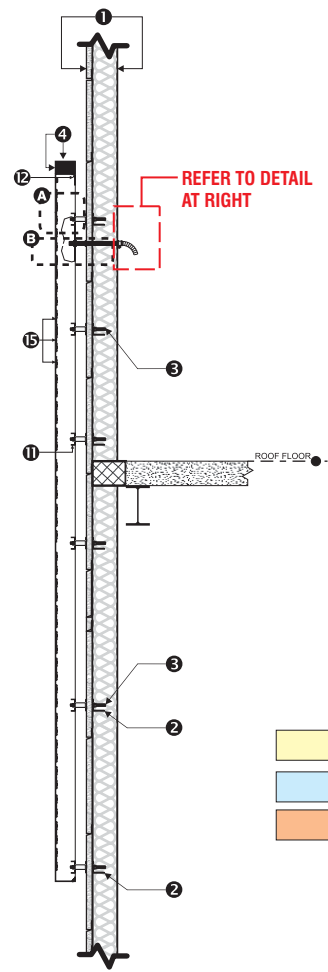
- CHANNEL LOGO MOUNTING SYSTEM**
- 3/8" x 7" SS studs w/ matching nuts
 - 1" or 3/4" dia. bonded neoprene washers at all wall openings one exception:
 - Face penetration to be covered with a fabricated 2" dia. aluminum washer - sealed w/ silicone around perimeter
 - (1) 1/2" dia. x 2" EMT conduit crush-sleeve inserted into FWD5 panel flush w/ steel angle support in rear.
 - (1) 3/4" dia. x 1 3/4" EMT conduit spacer - Painted to match wall
- GENERAL SPECIFICATIONS:**
- All mounting hardware to be 18-8 stainless steel
 - All exposed mounting hardware to be painted to match wall
 - All letters to have a minimum of (3) mounting points.

NOTE:
120V/20 AMP CIRCUITS TO BE PROVIDED BY SEPARATE CONTRACTOR / ELECTRICIAN

LOW VOLTAGE LEDS AT PERIMETER OF LOGO



- SEPARATE CONTRACTOR / ELECTRICIAN SCOPE**
- 1/2" flexible metal conduit - 120v / 20amp (primary circuit)
 - Electrobites Female straight connector
 - Electrobites Ground Ring
 - Electrobites locknut
 - Electrobites sealing ring
- BY SIGNAGE CONTRACTOR**
- 2" horiz. FWD5 panel
 - Electrobites sealing ring w/ silicone sealant applied to back
 - Electrobites locknut
 - Electrobites sealing ring
 - 1/2" x 6" electrobit passthru
 - Electrobites sealing bushing
 - 3/16" thk. Polycarbonate Logo Back
 - 1" x 3" x 1/8" thk. aluminum channel reinforcement frame

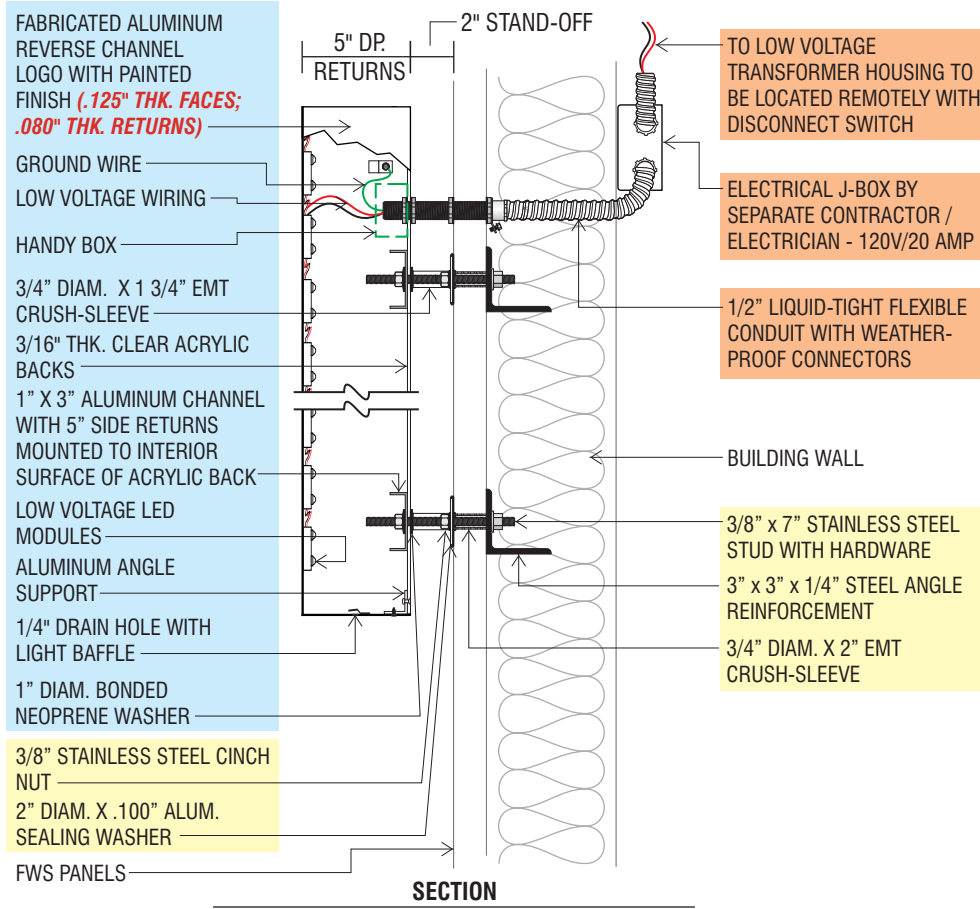


REFER TO DETAIL AT RIGHT

- Outside and inside mounting surfaces
- (5) 3" x 3" x 1/4" steel angle reinforcement runners
- Threaded rod mounting system hardware
- Metal Logo form and return
- Remote mounted power supply housing for small bird unit
- Remote mounted power supply housing for large bird unit
- 1" x 3" aluminum channel w/ 5" side returns mounted to interior surface of acrylic back.
- Aluminum mounting clips for clear polycarbonate panels
- Individual LED light modules

- PE SCOPE
- BY SIGN CONTRACTOR
- BY SEPARATE CONTRACTOR / ELECTRICIAN

SECTION DETAIL
SCALE: 1/4" = 1'-0"



- FABRICATED ALUMINUM REVERSE CHANNEL LOGO WITH PAINTED FINISH (.125" THK. FACES; .080" THK. RETURNS)
- GROUND WIRE
- LOW VOLTAGE WIRING
- HANDY BOX
- 3/4" DIAM. X 1 3/4" EMT CRUSH-SLEEVE
- 3/16" THK. CLEAR ACRYLIC BACKS
- 1" X 3" ALUMINUM CHANNEL WITH 5" SIDE RETURNS MOUNTED TO INTERIOR SURFACE OF ACRYLIC BACK
- LOW VOLTAGE LED MODULES
- ALUMINUM ANGLE SUPPORT
- 1/4" DRAIN HOLE WITH LIGHT BAFFLE
- 1" DIAM. BONDED NEOPRENE WASHER
- 3/8" STAINLESS STEEL CINCH NUT
- 2" DIAM. X .100" ALUM. SEALING WASHER
- FWS PANELS

TO LOW VOLTAGE TRANSFORMER HOUSING TO BE LOCATED REMOTELY WITH DISCONNECT SWITCH

ELECTRICAL J-BOX BY SEPARATE CONTRACTOR / ELECTRICIAN - 120V/20 AMP

1/2" LIQUID-TIGHT FLEXIBLE CONDUIT WITH WEATHER-PROOF CONNECTORS

3/8" x 7" STAINLESS STEEL STUD WITH HARDWARE

3" x 3" x 1/4" STEEL ANGLE REINFORCEMENT

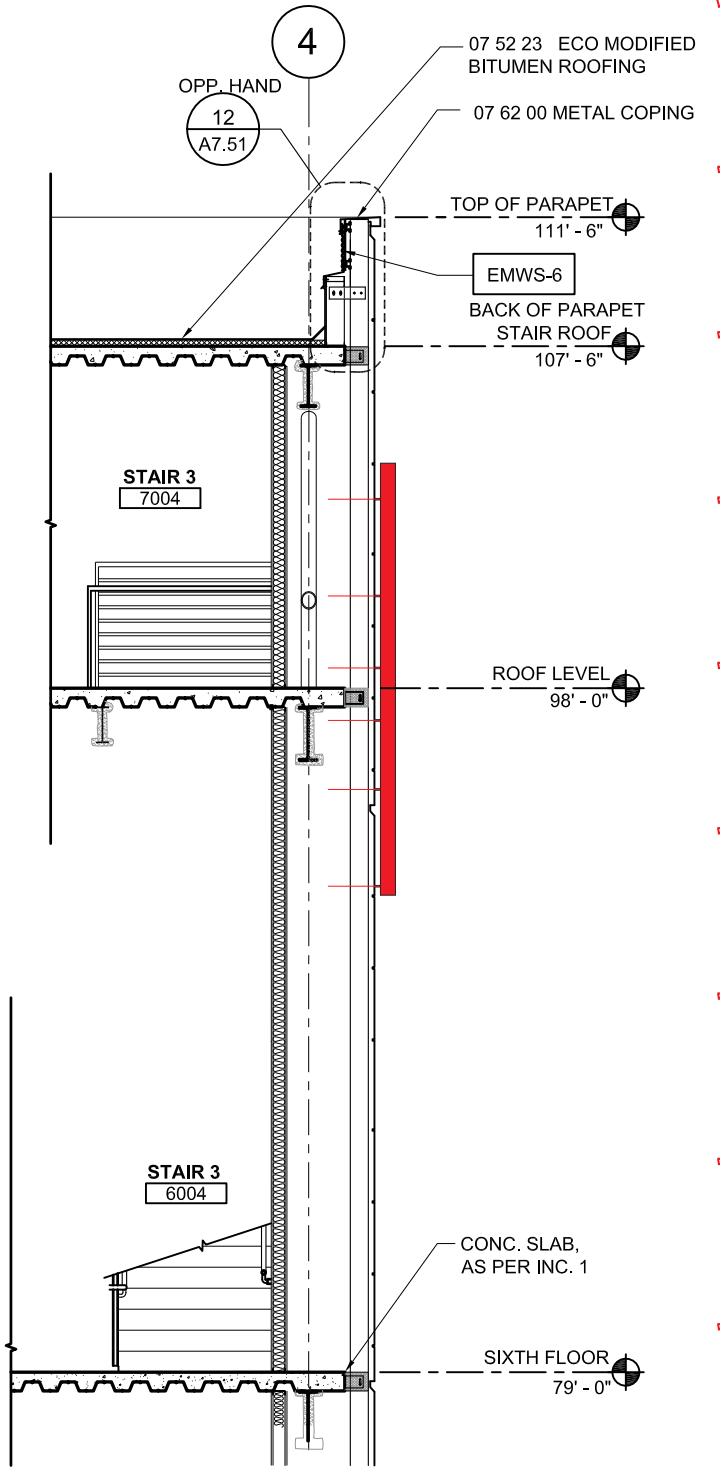
3/4" DIAM. X 2" EMT CRUSH-SLEEVE

REVERSE PAN CHANNEL LOGO WITH LED ILLUMINATION

NOTE:
THIS SIGN IS TO BE INSTALLED IN ACCORDANCE WITH THE REQUIREMENTS OF ARTICLE 600 OF THE NATIONAL ELECTRICAL CODE AND/OR OTHER APPLICABLE LOCAL CODES. THIS INCLUDES PROPER GROUNDING AND BONDING OF THE SIGN.

- PE SCOPE
- BY SIGN CONTRACTOR
- BY SEPARATE CONTRACTOR / ELECTRICIAN

6 TYPICAL WALL SECTION AT STAIRWELLS
SCALE: 3/16" = 1'-0"
20.1 20.2



CLIENT INFORMATION:
Rideout Regional Medical Center
726 4th Street
Marysville, CA 95901



APPROVALS:
IG ACCOUNT MANAGER _____
IG PRODUCTION MANAGER _____
CLIENT APPROVAL _____

SALES REP:
Rebecca Redmon

DESIGNER:
R.Germar

- REVISION DATES:**
- 12 10-07-2013 RLG
 - 13 10-15-2013 RLG
 - 14 12-03-2013 RLG
 - 15 12-10-2013 RLG
 - 16 12-30-2013 RLG

VOLTAGE: 120V
240V

THIS ORIGINAL UNPUBLISHED DESIGN IS THE SOLE PROPERTY OF IMAGE GROUP. IT CANNOT BE REPRODUCED, COPIED OR EXHIBITED IN WHOLE OR PART, WITHOUT FIRST OBTAINING WRITTEN CONSENT FROM IMAGE GROUP. COLORS REPRESENTED IN THIS DRAWING ARE FOR PRESENTATION PURPOSES ONLY. THEY MAY NOT MATCH YOUR FINISHED PRODUCT PERFECTLY. COLOR CALL-OUTS ARE FOR REFERENCE PURPOSES ONLY.

PRIMARY ELECTRICAL TO SIGN LOCATIONS IS TO BE PROVIDED BY OTHERS. 20 AMP DEDICATED CIRCUIT(S) WITH NO SHARED NEUTRALS AND A GROUND RETURNING TO THE PANEL IS REQUIRED FOR ALL INSTALLATIONS. THIS SIGN IS INTENDED TO BE INSTALLED IN ACCORDANCE WITH THE REQUIREMENTS OF ARTICLE 600 OF THE NATIONAL ELECTRICAL CODE AND/OR OTHER APPLICABLE LOCAL CODES. THIS INCLUDES PROPER GROUNDING AND BONDING OF THE SIGN.

DATE
01-30-2013

DESIGN NO:
Rideout Master Sign Program

PROJECT LOCATION:
Marysville, CA

SIGN TYPE:
Sign Type J Building Sign Construction Details

Y.J. INC.

25379 Wayne Mills Pl # 272
Valencia, CA 91355

Sign Design Based on 2007 CBC

DATE 8/2/2013

TEL: (661) 259-0700

FAX: (661) 259-0900

Job # JTS_30613
Project Rideout Regional Medical Center - Sign J
Job Location 726 4th Street
Marysville, CA

INPUT DATA

Exposure category (B, C or D)	=	C
Importance factor, pg 73, (0.87, 1.0 or 1.15)	I =	1.15 Category III or IV
Basic wind speed (3 sec. gust wind)	V =	90 mph
Topographic factor (Sec.6.5.7.2, pg 26 & 45)	K_{zt} =	1 Flat
Height of top	h =	104.25 ft
Vertical dimension (for wall, s = h)	s =	2.6759 ft
Average horizontal dimension	B =	10.37 ft
Dimension of return corner	L_r =	0.42 ft

DESIGN SUMMARY

Max horizontal wind pressure $p = 40$ psf
Max total horizontal force at ce: $F = 1.11$ kips

ANALYSIS

Velocity pressure

$$q_h = 0.00256 K_h K_{zt} K_d V^2 = 25.54 \text{ psf}$$

where:

q_h = velocity pressure at mean roof height, h. (Eq. 6-15, page 27)

K_h = velocity pressure exposure coefficient = 1.26

evaluated at height, h. (Tab. 6-3, Case 1, pg 79)

K_d = wind directionality factor. (Tab. 6-4, for building, page 80) = 0.85

h = height of top = 104.3 ft

Wind Force Case A: resultant force through the geometric center (Sec. 6.5.14 & Fig. 6-20)

$$p = q_h G C_f = 40 \text{ psf}$$

$$F = p A_n = 1.11 \text{ kips}$$

where: G = gust effect factor. (Sec. 6.5.8, page 26) = 0.85

C_f = net force coefficient. (Fig. 6-20, page 73) = 1.85

$$A_n = B s = 27.75 \text{ ft}^2$$

Weight of cabinet, DL = 170 Lbs

Vertical distance between anchors, y = 10.75 ft

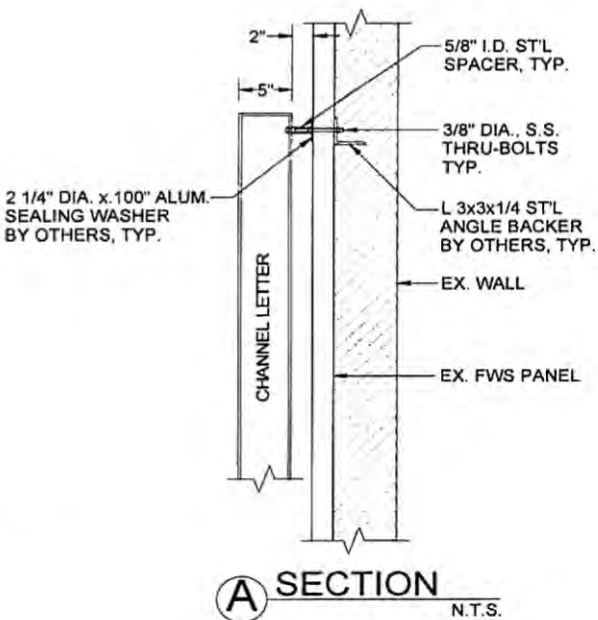
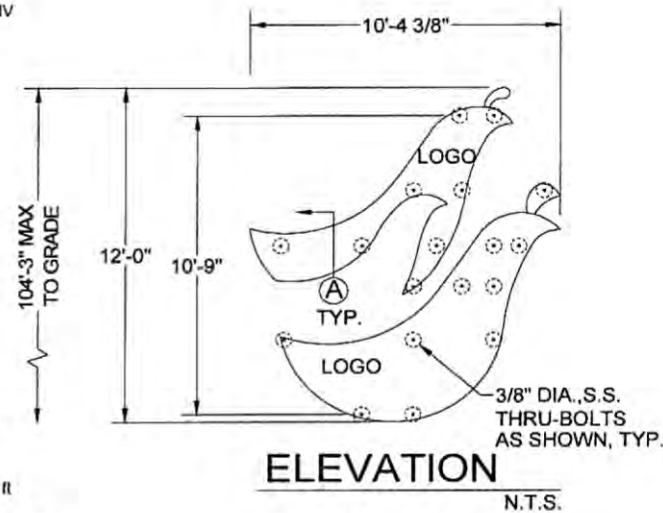
b (return) = 0.42 ft

Offset from wall = 0.17 ft

Min. no. of top or bott. anchors = 2 no.

Anchor Design

Stainless Steel Thru-Bolts
Tension Req'd. USE T304
Ten = 280 3/8" Dia. T=2,180
Shear Required
V = 43 V=1,163
Unity = $(280/2180) + (43/1163) = 0.17 < 1.0$ (OK)



1 UPDATED 2013
ADDED ENGINEERING

NOTE: SIGN DESIGN IS BASED ON ADEQUATE EXISTING SUPPORT ELEMENTS.

imageGROUP
ENVIRONMENTAL GRAPHICS • SIGNAGE • WAYFINDING • CORPORATE BRANDING
SEATTLE • SAN DIEGO
MAIN OFFICE
380 STEVENS AVENUE #307
SOLANA BEACH, CA 92075
PHONE: 858.345.1542
FAX: 858.408.3203

CLIENT INFORMATION:
Rideout Regional Medical Center
726 4th Street
Marysville, CA 95901



APPROVALS:
IG ACCOUNT MANAGER _____
IG PRODUCTION MANAGER _____
CLIENT APPROVAL _____

SALES REP:
Rebecca Redmon
DESIGNER:
R.Germar

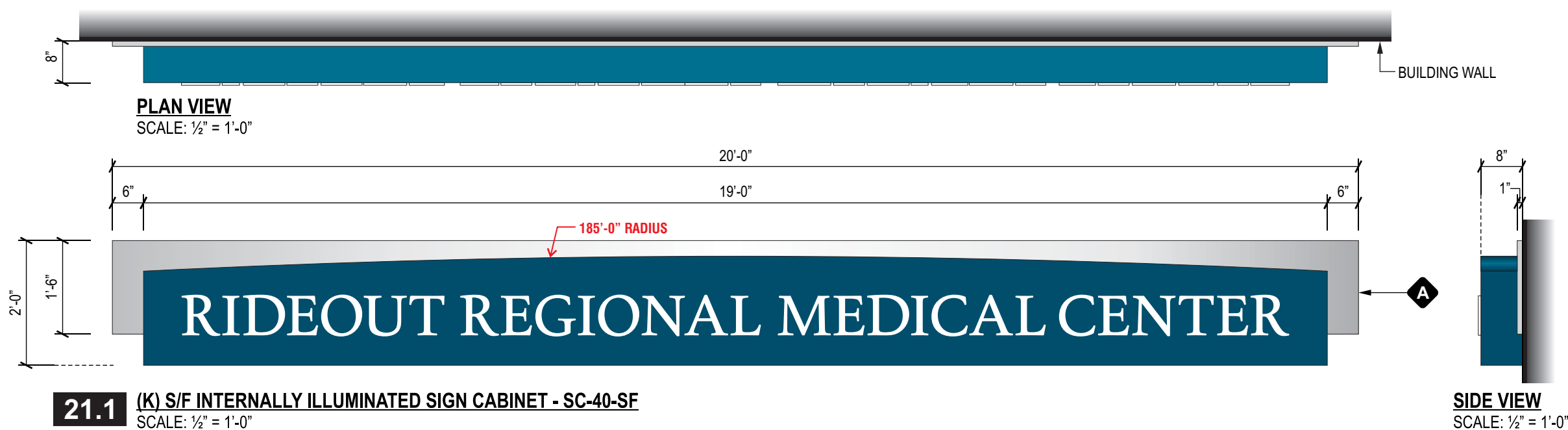
REVISION DATES:
12 10-07-2013 RLG
13 10-15-2013 RLG
14 12-03-2013 RLG
15 12-10-2013 RLG
16 12-30-2013 RLG

VOLTAGE: 120V
240V

THIS ORIGINAL UNPUBLISHED DESIGN IS THE SOLE PROPERTY OF IMAGE GROUP. IT CANNOT BE REPRODUCED, COPIED OR EXHIBITED IN WHOLE OR PART, WITHOUT FIRST OBTAINING WRITTEN CONSENT FROM IMAGE GROUP. COLORS REPRESENTED IN THIS DRAWING ARE FOR PRESENTATION PURPOSES ONLY. THEY MAY NOT MATCH YOUR FINISHED PRODUCT PERFECTLY. COLOR CALL-OUTS ARE FOR REFERENCE PURPOSES ONLY.

PRIMARY ELECTRICAL TO SIGN LOCATIONS IS TO BE PROVIDED BY OTHERS. 20 AMP DEDICATED CIRCUIT(S) WITH NO SHARED NEUTRALS AND A GROUND RETURNING TO THE PANEL IS REQUIRED FOR ALL INSTALLATIONS. THIS SIGN IS INTENDED TO BE INSTALLED IN ACCORDANCE WITH THE REQUIREMENTS OF ARTICLE 600 OF THE NATIONAL ELECTRICAL CODE AND/OR OTHER APPLICABLE LOCAL CODES. THIS INCLUDES PROPER GROUNDING AND BONDING OF THE SIGN.

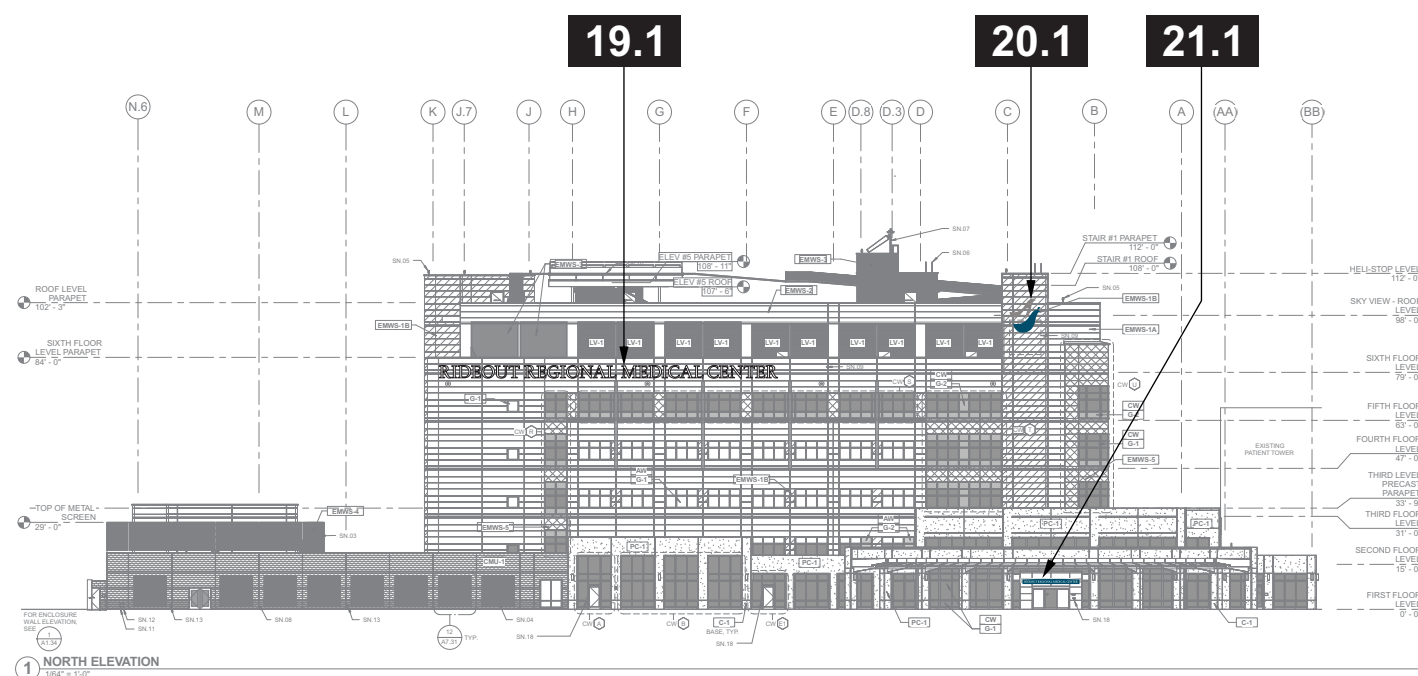
DATE
01-30-2013
DESIGN NO:
Rideout Master Sign Program
PROJECT LOCATION:
Marysville, CA
SIGN TYPE:
**Sign Type J
Reverse Channel
Logo Engineering**



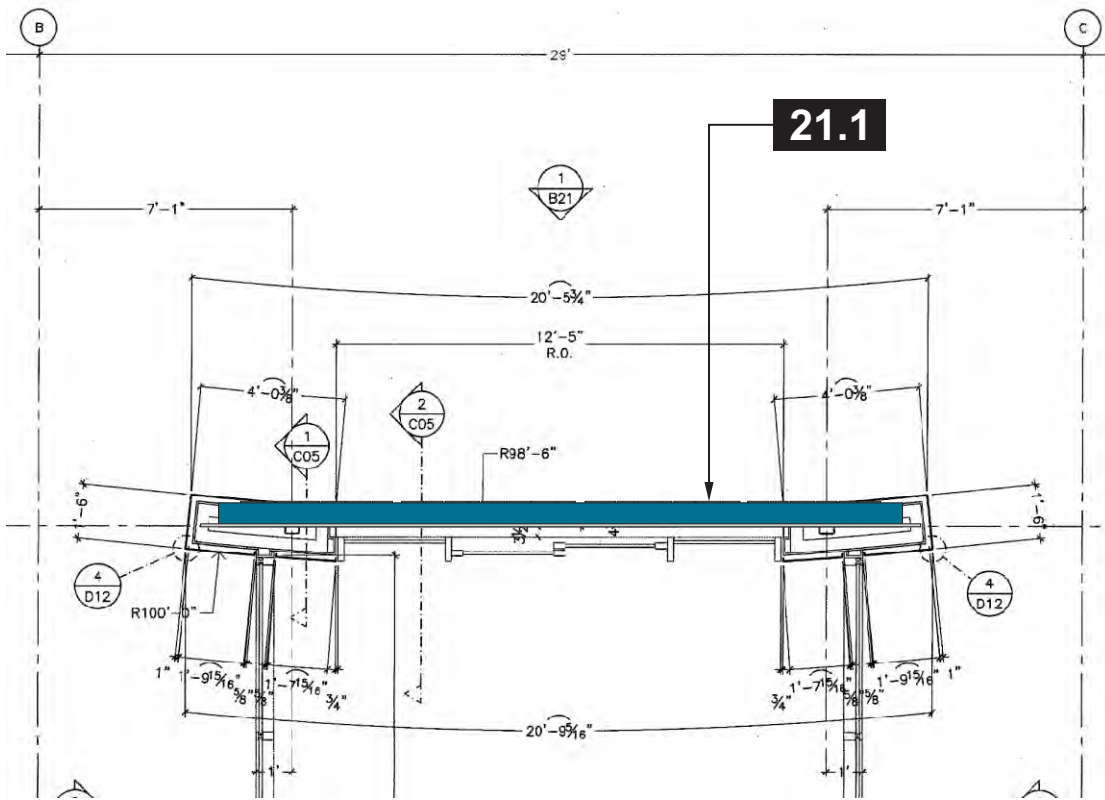
21.1 (K) S/F INTERNALLY ILLUMINATED SIGN CABINET - SC-40-SF
SCALE: 1/2" = 1'-0"
SQ. FT. = 40 QTY: 1

SIGN SPECIFICATIONS

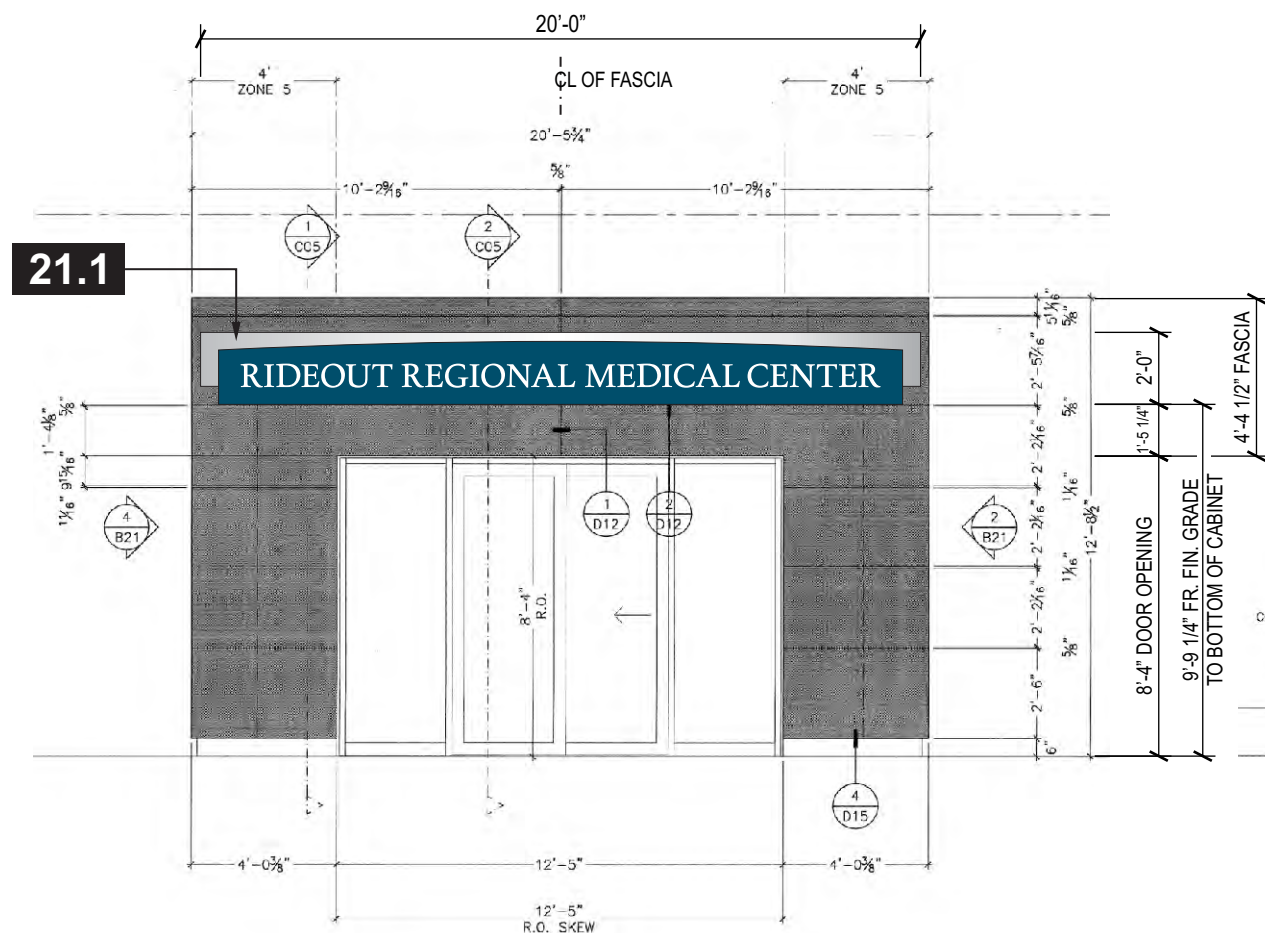
- A SIGN CABINET**
RETURN MATERIAL: .080" THICK ALUMINUM OVER 1 1/2" X 1 1/2" ALUMINUM ANGLE FRAME, (TOP RETURN TO BE ROLLED).
RETURN FINISH: PAINTED TO MATCH PMS 3025C BLUE/GREEN (SATIN).
RETURN DEPTH: 8"
FACE MATERIAL: .125" THICK ALUMINUM
FACE FINISH: PAINTED TO MATCH PMS 3025C BLUE/GREEN (SATIN).
GRAPHIC SPECS: ROUTED OUT OF FACE. 1/2" THICK CLEAR ACRYLIC ROUTED COPY TO PASS THRU ROUTED FACE GRAPHIC OPENINGS. ROUTED & PUSHED THRU ACRYLIC LETTERS WITH FIRST-SURFACE APPLIED 3M 3630-20 WHITE VINYL OVERLAYS.
BACKGROUND MATERIAL: .125" THICK ALUMINUM OVER 1" ALUMINUM TUBE FRAME.
BACKGROUND FINISH: PAINTED MATTHEWS BRUSHED ALUMINUM (SATIN).
INTERNAL ILLUMINATION: WHITE LED'S.
CABINET BACK MATERIAL: .063" THK. ALUMINUM
POWER SUPPLY: 12V LED POWER SUPPLY (INTERNALLY MOUNTED).
INSTALL METHOD: SEE CONSTRUCTION DETAILS.



1 NORTH ELEVATION
1/8" = 1'-0"

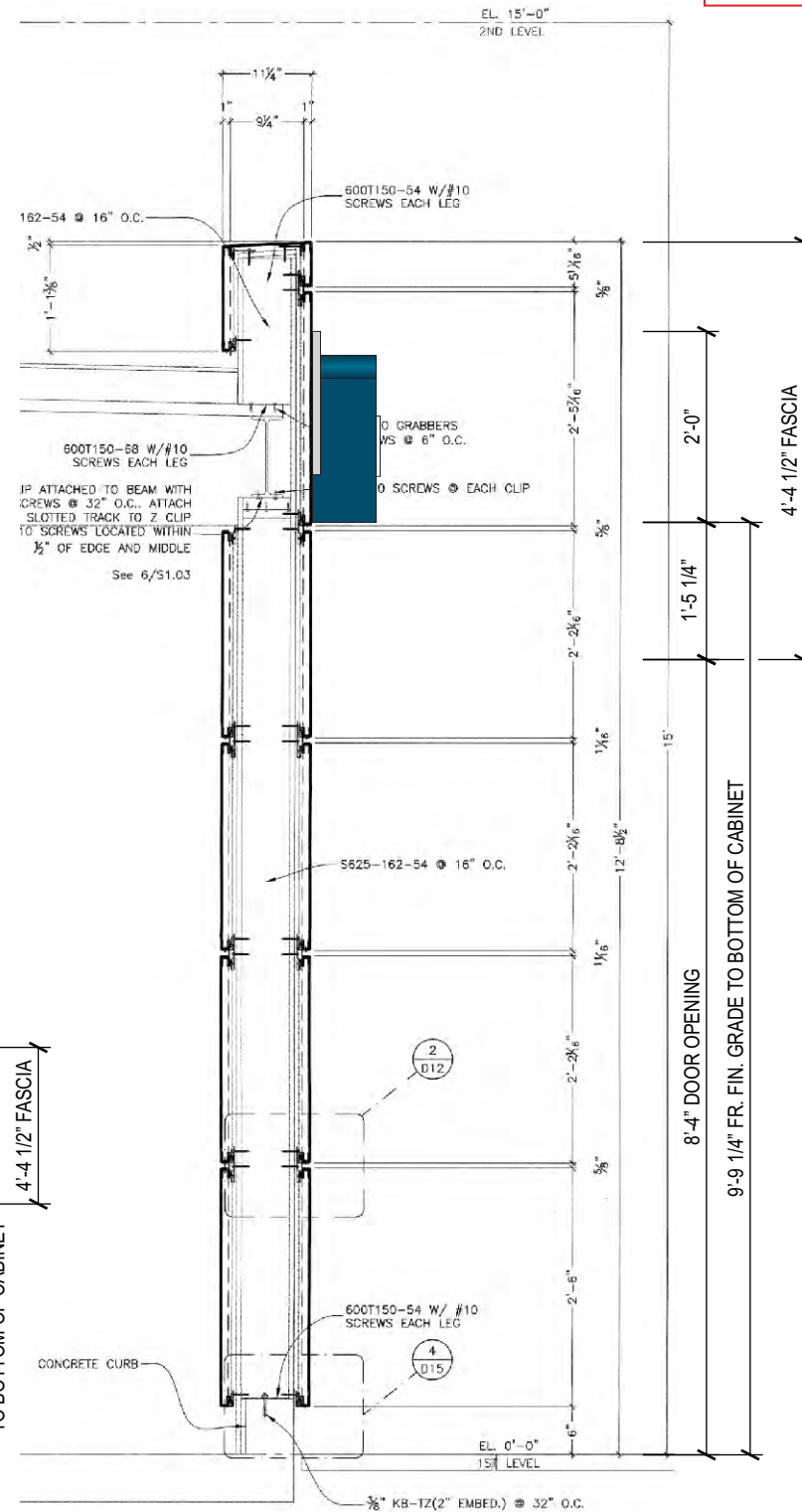


NORTH ENTRY PLAN VIEW
SCALE: 3/16" = 1'-0"

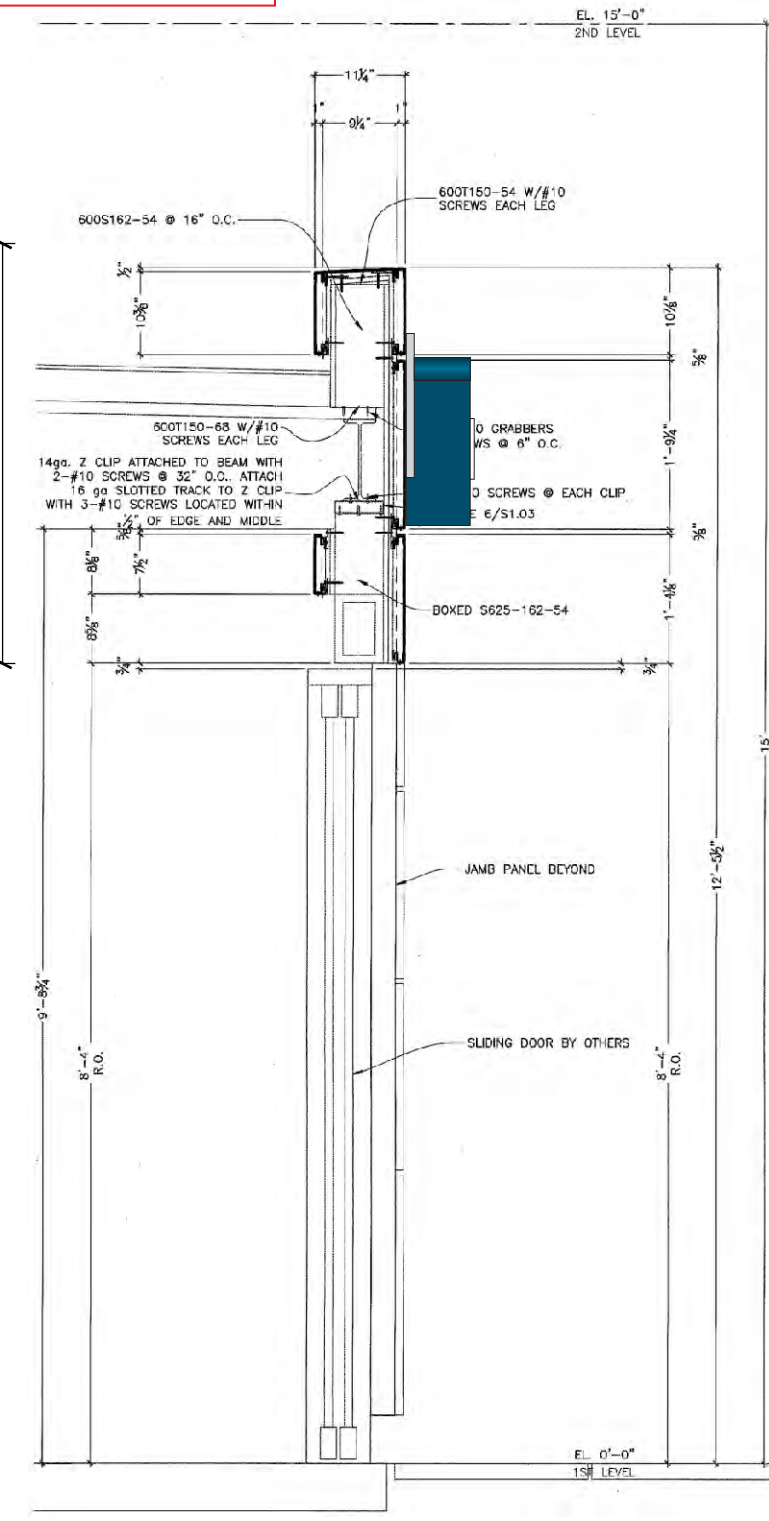


NORTH ENTRY ELEVATION
SCALE: 3/16" = 1'-0"

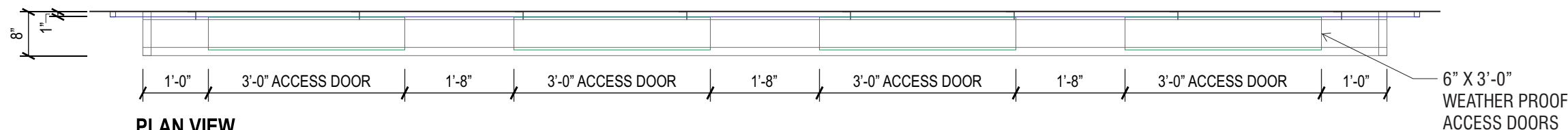
NOTE:
ENTRY SECTION @ WALL
SHOWN DUE TO VARYING
DIMENSIONS AT ENTRY
SECTION @ DOORS. CONFIRM
PROPER ORIENTATION.



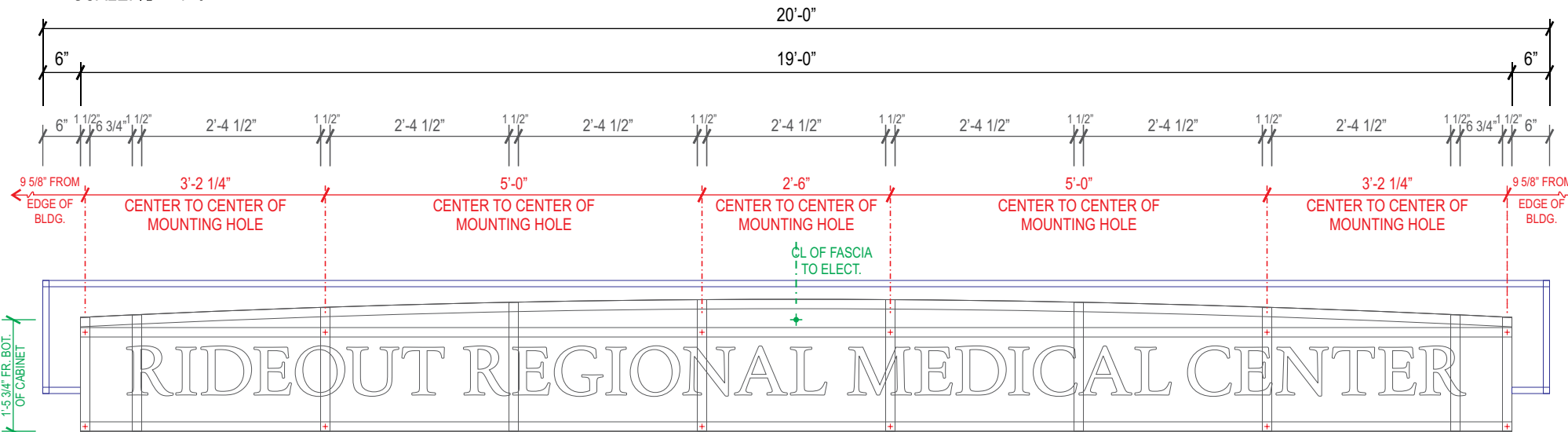
1 NORTH ENTRY SECTION @ WALL
SCALE: 1/2" = 1'-0"



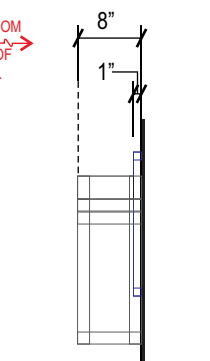
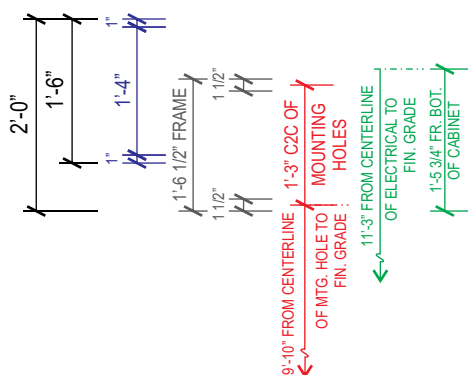
2 NORTH ENTRY SECTION @ DOORS
SCALE: 1/2" = 1'-0"



PLAN VIEW
SCALE: 1/2" = 1'-0"



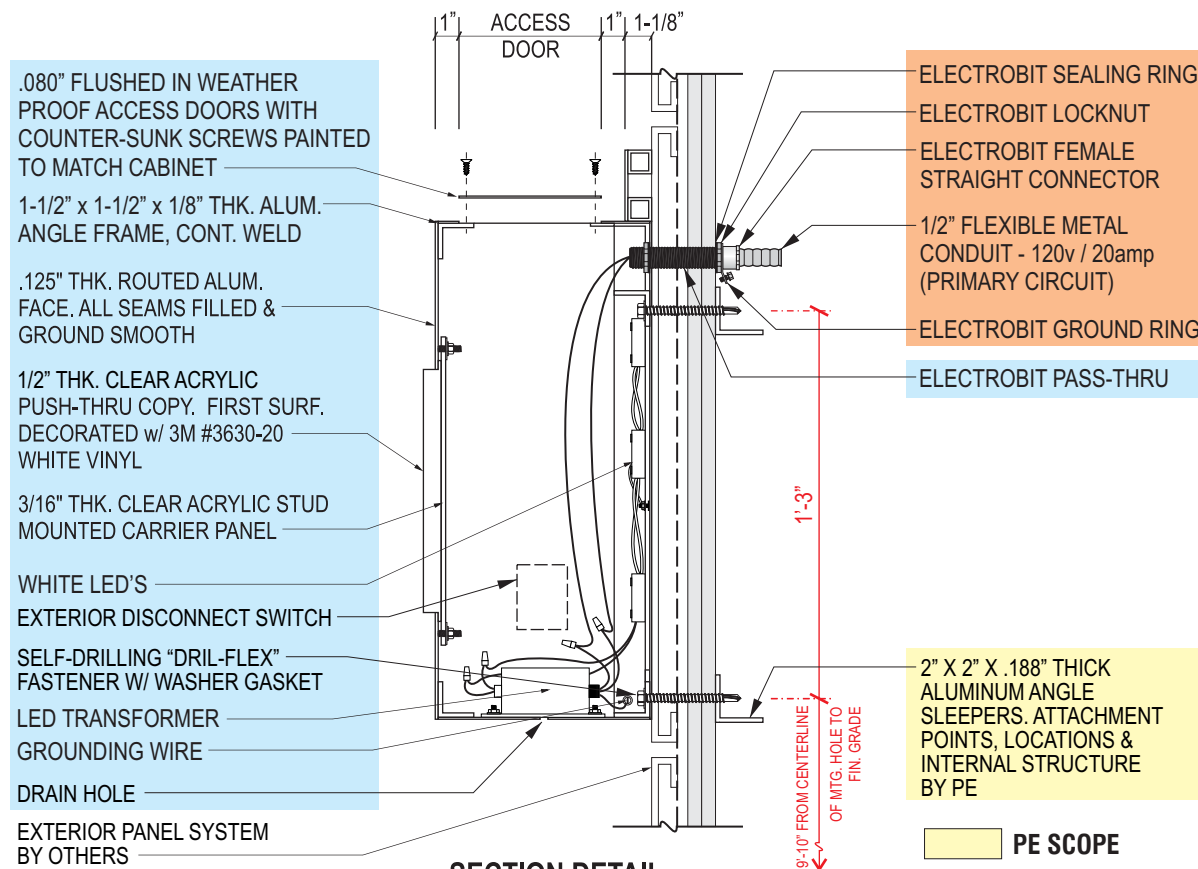
6" X 3'-0"
WEATHER PROOF
ACCESS DOORS



SIDE VIEW
SCALE: 1/2" = 1'-0"

12 (3/8" DIAM. MOUNTING HOLES) & 1 (7/8" DIAM. ELECTRICAL)

21.1 (K) S/F INTERNALLY ILLUMINATED SIGN CABINET - SC-40-SF
SCALE: 1/2" = 1'-0"
SQ. FT. = 40 QTY: 1



SECTION DETAIL
SCALE: NTS

- PE SCOPE
- BY SIGN CONTRACTOR
- BY SEPARATE CONTRACTOR / ELECTRICIAN

BASIC WIND SPEED 90 MPH
-3 SEC GUST WIND
IMPORTANCE FACTOR: 1.0
EXPOSURE B

ESTIMATED SIGN WEIGHT
180 lbs.

ELECTRICAL LOAD
3.5 AMPS / 120V

ESTIMATED ELECTRICAL REQ.
(1)20A circuit @ 120VAC

GENERAL NOTES:

- U.L. LISTED - FILE NUMBER E162744
- ALL ELECTRICAL WORK SHALL BE PERFORMED IN ACCORDANCE WITH "NEC" REF. SECTION 600
- ALL ELECTRICAL SIGN SECTIONS TO HAVE U.L. LABEL IN ACCORDANCE WITH "NEC" 600.3 AND MANUFACTURERS LABEL LOCATED NEXT TO DISCONNECT SWITCH
- ALL NON-CURRENT CARRYING METAL PARTS OF SIGN SHALL BE GROUNDED & BONDED IN ACCORDANCE WITH "NEC" 250
- ALL WIRING CONTAINED IN ENCLOSED AREAS
- SPlicing OF CONDUCTORS SHALL BE MADE IN JUNCTION BOXES OR SIMILAR METAL ENCLOSURES
- AT THE POINT THAT ELECTRICAL CABLE PASSES THRU THE SIGN BOX, IT SHALL PASS THRU A U.L. LISTED RUBBER GROMMET

NOTE:
120V/20 AMP CIRCUITS TO BE PROVIDED
BY SEPARATE CONTRACTOR / ELECTRICIAN

1 UPDATED 2013
ADDED
FRAMING
DETAILS

THIS PAGE RESERVED FOR ENGINEERING



SEATTLE • SAN DIEGO

MAIN OFFICE
380 STEVENS AVENUE #307
SOLANA BEACH, CA 92075

PHONE: 858.345.1542
FAX: 858.408.3203

CLIENT INFORMATION:
**Rideout Regional
Medical Center**
726 4th Street
Marysville, CA 95901



APPROVALS:
IG ACCOUNT MANAGER _____
IG PRODUCTION MANAGER _____
CLIENT APPROVAL _____

SALES REP:
Rebecca Redmon
DESIGNER:
R.Germar

REVISION DATES:
12 10-07-2013 RLG
13 10-15-2013 RLG
14 12-03-2013 RLG
15 12-10-2013 RLG
16 12-30-2013 RLG

VOLTAGE: 120V
240V

THIS ORIGINAL UNPUBLISHED DESIGN IS THE SOLE PROPERTY OF IMAGE GROUP. IT CANNOT BE REPRODUCED, COPIED OR EXHIBITED IN WHOLE OR PART, WITHOUT FIRST OBTAINING WRITTEN CONSENT FROM IMAGE GROUP. COLORS REPRESENTED IN THIS DRAWING ARE FOR PRESENTATION PURPOSES ONLY. THEY MAY NOT MATCH YOUR FINISHED PRODUCT PERFECTLY. COLOR CALL-OUTS ARE FOR REFERENCE PURPOSES ONLY.

PRIMARY ELECTRICAL TO SIGN LOCATIONS IS TO BE PROVIDED BY OTHERS. 20 AMP DEDICATED CIRCUIT(S) WITH NO SHARED NEUTRALS AND A GROUND RETURNING TO THE PANEL IS REQUIRED FOR ALL INSTALLATIONS. THIS SIGN IS INTENDED TO BE INSTALLED IN ACCORDANCE WITH THE REQUIREMENTS OF ARTICLE 600 OF THE NATIONAL ELECTRICAL CODE AND/OR OTHER APPLICABLE LOCAL CODES. THIS INCLUDES PROPER GROUNDING AND BONDING OF THE SIGN.

DATE
01-30-2013
DESIGN NO:
Rideout Master Sign Program
PROJECT LOCATION:
Marysville, CA
SIGN TYPE:
Sign Type K.21.1
Building Sign
Engineering

CLIENT INFORMATION:

**Rideout Regional
Medical Center**
726 4th Street
Marysville, CA 95901



APPROVALS:

IG ACCOUNT MANAGER _____
IG PRODUCTION MANAGER _____
CLIENT APPROVAL _____

SALES REP:

Rebecca Redmon

DESIGNER:

R.Germar

REVISION DATES:

- 12 10-07-2013 RLG
- 13 10-15-2013 RLG
- 14 12-03-2013 RLG
- 15 12-10-2013 RLG
- 16 12-30-2013 RLG

VOLTAGE: 120V
240V

THIS ORIGINAL UNPUBLISHED DESIGN IS THE SOLE PROPERTY OF IMAGE GROUP. IT CANNOT BE REPRODUCED, COPIED OR EXHIBITED IN WHOLE OR PART, WITHOUT FIRST OBTAINING WRITTEN CONSENT FROM IMAGE GROUP. COLORS REPRESENTED IN THIS DRAWING ARE FOR PRESENTATION PURPOSES ONLY. THEY MAY NOT MATCH YOUR FINISHED PRODUCT PERFECTLY. COLOR CALL-OUTS ARE FOR REFERENCE PURPOSES ONLY.

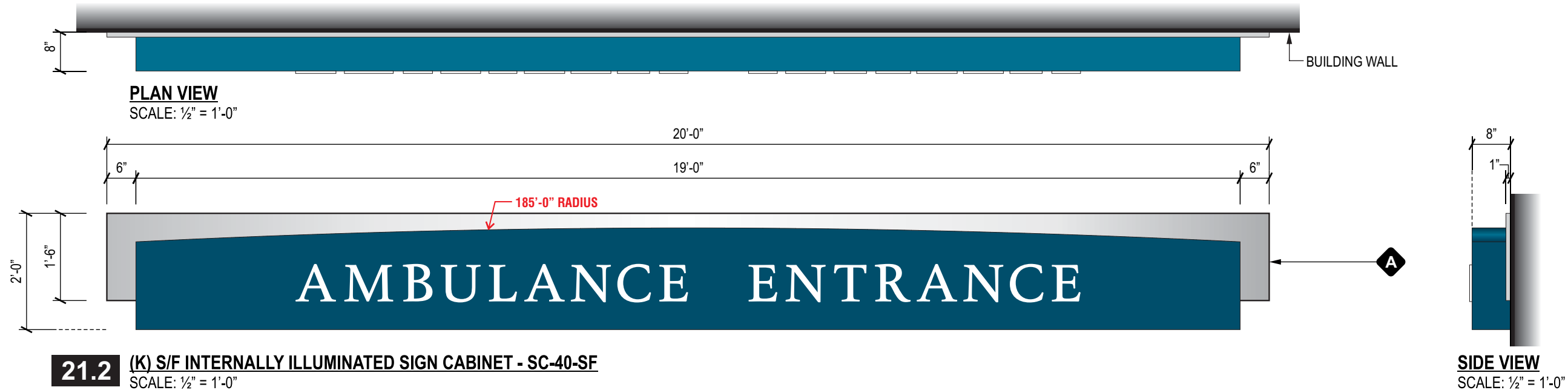
PRIMARY ELECTRICAL TO SIGN LOCATIONS IS TO BE PROVIDED BY OTHERS. 20 AMP DEDICATED CIRCUIT(S) WITH NO SHARED NEUTRALS AND A GROUND RETURNING TO THE PANEL IS REQUIRED FOR ALL INSTALLATIONS. THIS SIGN IS INTENDED TO BE INSTALLED IN ACCORDANCE WITH THE REQUIREMENTS OF ARTICLE 600 OF THE NATIONAL ELECTRICAL CODE AND/OR OTHER APPLICABLE LOCAL CODES. THIS INCLUDES PROPER GROUNDING AND BONDING OF THE SIGN.

DATE
01-30-2013

DESIGN NO:
Rideout Master Sign Program

PROJECT LOCATION:
Marysville, CA

SIGN TYPE:
**Sign Type K.21.2
Building Sign
Details**



21.2 (K) S/F INTERNALLY ILLUMINATED SIGN CABINET - SC-40-SF
SCALE: 1/2" = 1'-0"
SQ. FT. = 40 QTY: 1

SIGN SPECIFICATIONS



SIGN CABINET

RETURN MATERIAL: .080" THICK ALUMINUM OVER 1 1/2" X 1 1/2" ALUMINUM ANGLE FRAME, (TOP RETURN TO BE ROLLED)

RETURN FINISH: PAINTED TO MATCH PMS 3025C BLUE/GREEN (SATIN)

RETURN DEPTH: 8"

FACE MATERIAL: .125" THICK ALUMINUM

FACE FINISH: PAINTED TO MATCH PMS 3025C BLUE/GREEN (SATIN)

GRAPHIC SPECS: ROUTED OUT OF FACE. 1/2" THICK CLEAR ACRYLIC ROUTED COPY TO PASS THRU ROUTED FACE GRAPHIC OPENINGS. ROUTED & PUSHED THRU ACRYLIC LETTERS WITH FIRST-SURFACE APPLIED 3M 3630-20 WHITE VINYL OVERLAYS.

BACKGROUND MATERIAL: .125" THICK ALUMINUM OVER 1" ALUMINUM TUBE FRAME.

BACKGROUND FINISH: PAINTED MATTHEWS BRUSHED ALUMINUM (SATIN)

INTERNAL ILLUMINATION: WHITE LED'S

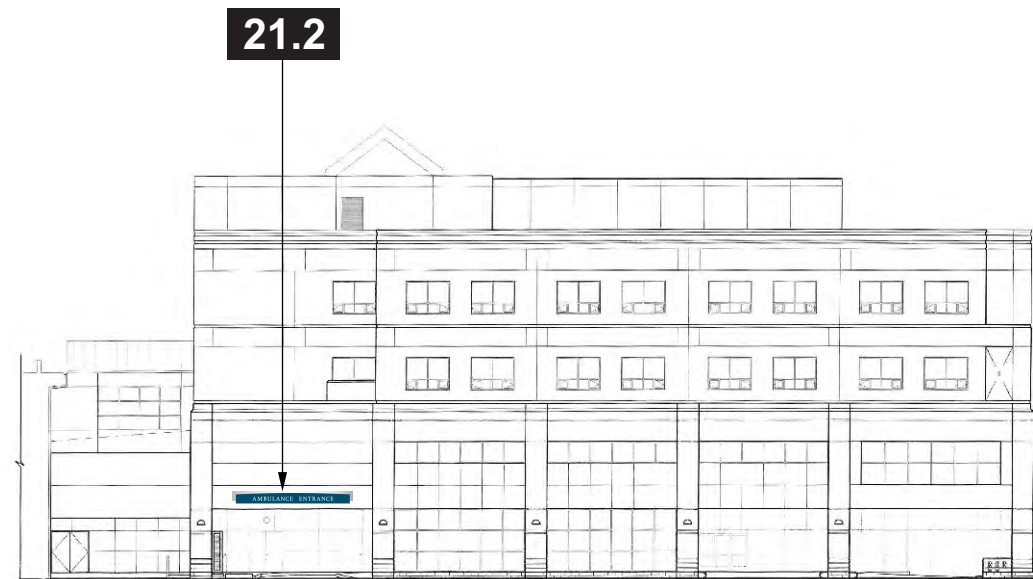
CABINET BACK MATERIAL: .063" THK. ALUMINUM

POWER SUPPLY: 12V LED POWER SUPPLY (INTERNALLY MOUNTED)

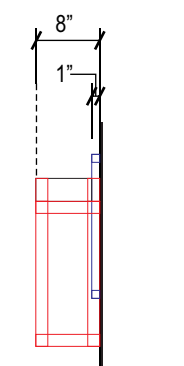
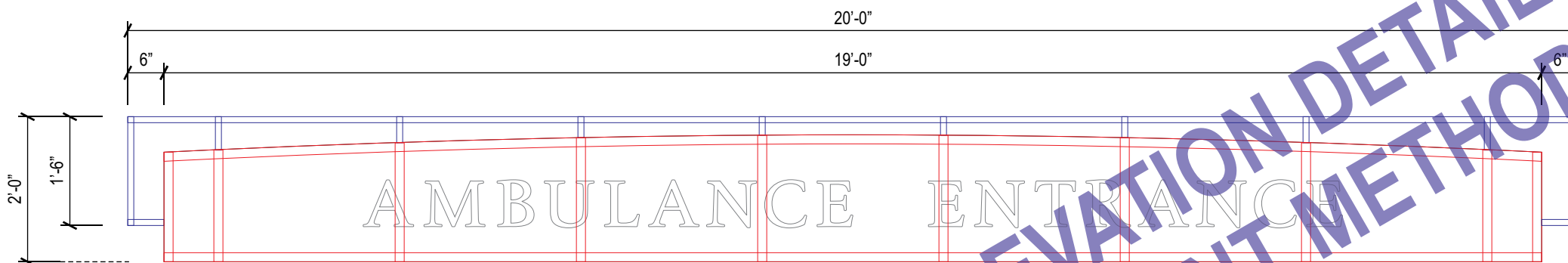
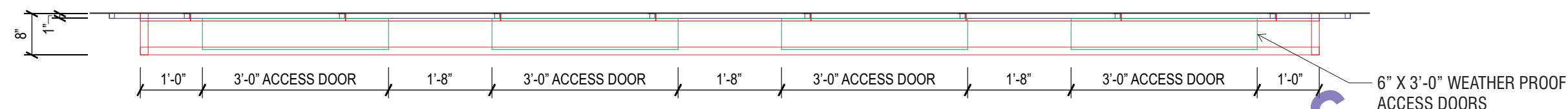
INSTALL METHOD: SEE CONSTRUCTION DETAILS.

NOTE:

**120V/20 AMP CIRCUITS TO BE PROVIDED
BY SEPARATE CONTRACTOR / ELECTRICIAN**

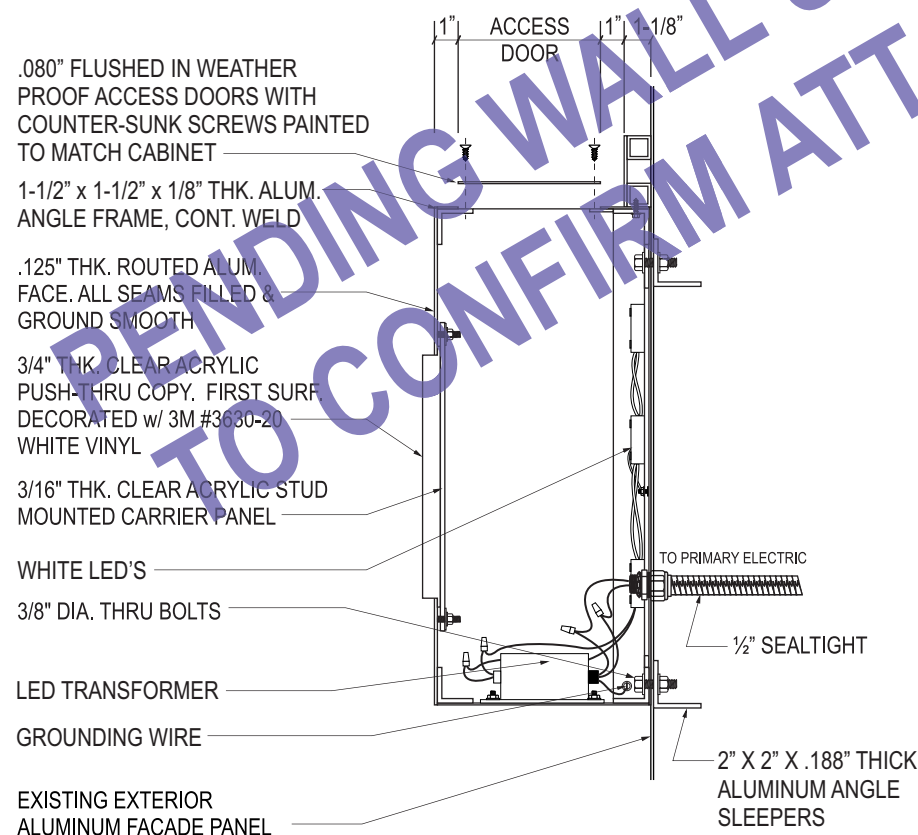


PARTIAL SOUTH ELEVATION
SCALE: 1/32" = 1'-0"



SIDE VIEW
SCALE: 1/2" = 1'-0"

21.2 (K) S/F INTERNALLY ILLUMINATED SIGN CABINET - SC-40-SF
SCALE: 1/2" = 1'-0"
SQ. FT. = 40 QTY: 1



SECTION DETAIL
SCALE: 1 1/2" = 1'-0"

BASIC WIND SPEED 90 MPH
-3 SEC GUST WIND
IMPORTANCE FACTOR: 1.0
EXPOSURE B

ESTIMATED SIGN WEIGHT
180 lbs.

ELECTRICAL LOAD
3.5 AMPS / 120V
ESTIMATED ELECTRICAL REQ.
(1)20A circuit @ 120VAC

GENERAL NOTES:

- U.L. LISTED - FILE NUMBER E162744
- ALL ELECTRICAL WORK SHALL BE PERFORMED IN ACCORDANCE WITH "NEC" REF. SECTION 600
- ALL ELECTRICAL SIGN SECTIONS TO HAVE U.L. LABEL IN ACCORDANCE WITH "NEC" 600.3 AND MANUFACTURERS LABEL LOCATED NEXT TO DISCONNECT SWITCH
- ALL NON-CURRENT CARRYING METAL PARTS OF SIGN SHALL BE GROUNDED & BONDED IN ACCORDANCE WITH "NEC" 250
- ALL WIRING CONTAINED IN ENCLOSED AREAS
- SPLICING OF CONDUCTORS SHALL BE MADE IN JUNCTION BOXES OR SIMILAR METAL ENCLOSURES
- AT THE POINT THAT ELECTRICAL CABLE PASSES THRU THE SIGN BOX, IT SHALL PASS THRU A U.L. LISTED RUBBER GROMMET

NOTE:
120V/20 AMP CIRCUITS TO BE PROVIDED
BY SEPARATE CONTRACTOR / ELECTRICIAN

1 UPDATED 2013
ADDED
FRAMING
DETAILS

THIS PAGE RESERVED FOR ENGINEERING



SEATTLE • SAN DIEGO

MAIN OFFICE
380 STEVENS AVENUE #307
SOLANA BEACH, CA 92075

PHONE: 858.345.1542
FAX: 858.408.3203

CLIENT INFORMATION:
**Rideout Regional
Medical Center**
726 4th Street
Marysville, CA 95901



APPROVALS:
IG ACCOUNT MANAGER _____
IG PRODUCTION MANAGER _____
CLIENT APPROVAL _____

SALES REP:
Rebecca Redmon
DESIGNER:
R.Germar

REVISION DATES:
12 10-07-2013 RLG
13 10-15-2013 RLG
14 12-03-2013 RLG
15 12-10-2013 RLG
16 12-30-2013 RLG

VOLTAGE: **120V**
 240V

THIS ORIGINAL UNPUBLISHED DESIGN IS THE SOLE PROPERTY OF IMAGE GROUP. IT CANNOT BE REPRODUCED, COPIED OR EXHIBITED IN WHOLE OR PART, WITHOUT FIRST OBTAINING WRITTEN CONSENT FROM IMAGE GROUP. COLORS REPRESENTED IN THIS DRAWING ARE FOR PRESENTATION PURPOSES ONLY. THEY MAY NOT MATCH YOUR FINISHED PRODUCT PERFECTLY. COLOR CALL-OUTS ARE FOR REFERENCE PURPOSES ONLY.

PRIMARY ELECTRICAL TO SIGN LOCATIONS IS TO BE PROVIDED BY OTHERS. 20 AMP DEDICATED CIRCUIT(S) WITH NO SHARED NEUTRALS AND A GROUND RETURNING TO THE PANEL IS REQUIRED FOR ALL INSTALLATIONS. THIS SIGN IS INTENDED TO BE INSTALLED IN ACCORDANCE WITH THE REQUIREMENTS OF ARTICLE 600 OF THE NATIONAL ELECTRICAL CODE AND/OR OTHER APPLICABLE LOCAL CODES. THIS INCLUDES PROPER GROUNDING AND BONDING OF THE SIGN.

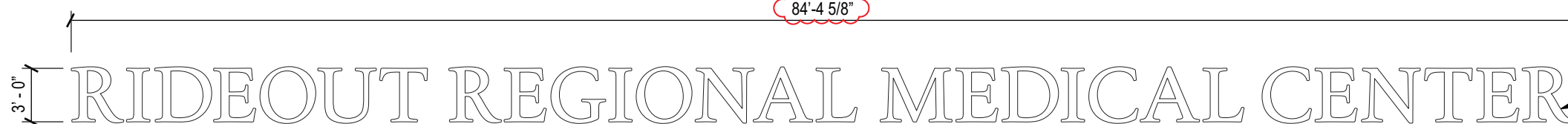
DATE
01-30-2013
DESIGN NO:
Rideout Master Sign Program
PROJECT LOCATION:
Marysville, CA
SIGN TYPE:
Sign Type K.21.2
Building Sign
Engineering

SIGN SPECIFICATIONS

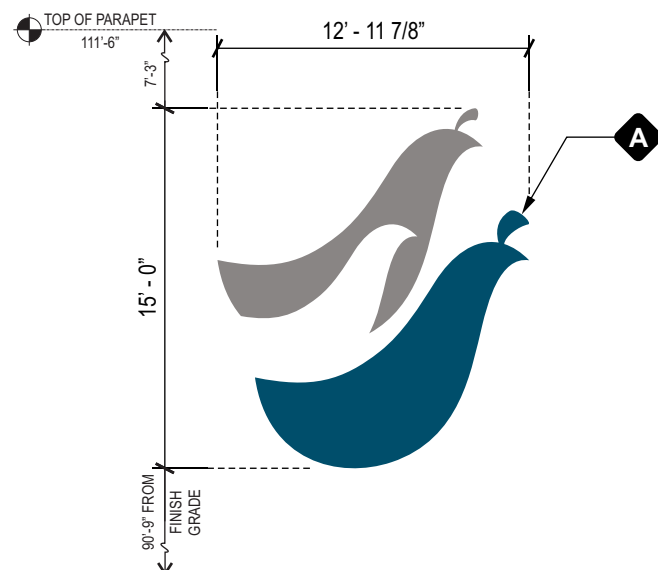
- A CHANNEL LETTERS**
RETURN MATERIAL: .040" THICK ALUMINUM
RETURN FINISH: WHITE (SATIN)
RETURN DEPTH: 5"
SPACED OFF WALL DEPTH: 2" **1** UPDATED 2013 REVISED DIAM.
SPACER MATERIAL: 3/4" DIA. X 2" LONG ALUM.
SLEEVE SPACER
SPACER FINISH: PAINTED SATIN WHITE
FACE MATERIAL: 3/16" THICK ACRYLIC
FACE FINISH: WHITE #7328
TRIM CAP MATERIAL: 1" TRIM CAP
TRIM CAP FINISH: WHITE
INTERNAL ILLUMINATION: WHITE LED'S
LETTER BACK MATERIAL: .063" THK. ALUMINUM
POWER SUPPLIES: 12V POWER SUPPLIES (SELF-CONTAINED)
INSTALL METHOD: MOUNTED TO EXTERIOR BUILDING WALL VIA 3/8" DIA. S/S THREADED STUDS (3/8" DIA. X 6")

1 UPDATED 2013 REVISED TO SELF-CONTAINED

1 UPDATED 2013 REVISED LENGTH
84'-4 5/8"



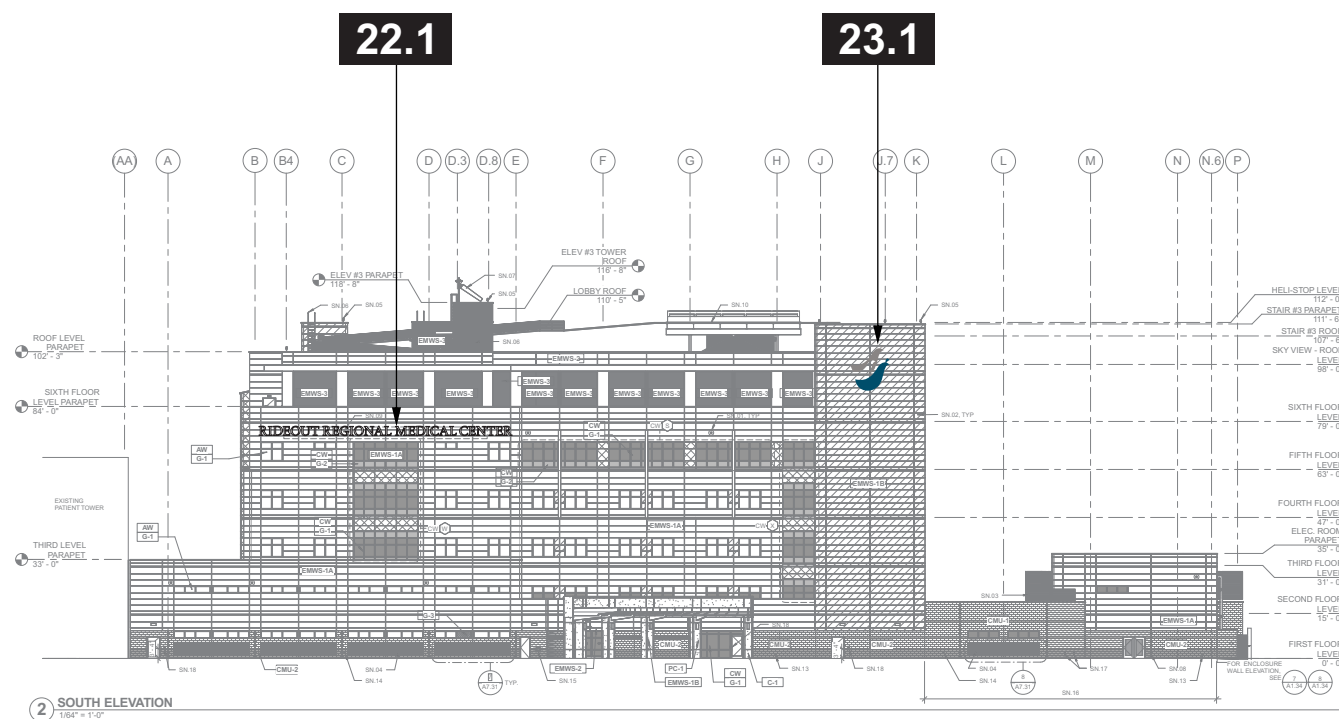
22.1 (L) FACE ILLUMINATED CHANNEL LETTERS - CL-36
SCALE: 1/8" = 1'-0"
SQ. FT. = 240 QTY: 1



23.1 (M) HALO ILLUMINATED CHANNEL LOGO - CL-180-HI
SCALE: 1/8" = 1'-0"
SQ. FT. = 244.375 QTY: 1

SIGN SPECIFICATIONS

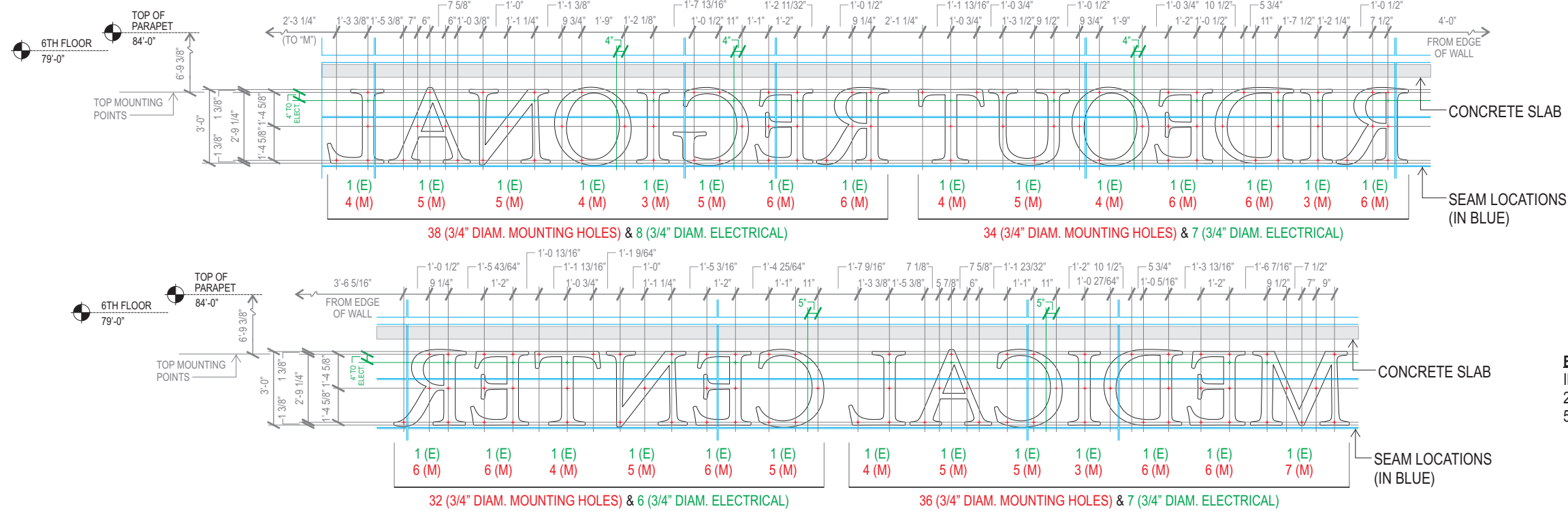
- A CHANNEL LOGO**
RETURN MATERIAL: .080" THICK ALUMINUM
RETURN FINISH: PAINTED TO MATCH PMS 3025C BLUE/GREEN (SATIN) & MATTHEWS PAINT MP 28448 UMBRA GREY METALLIC LRV 31.5 (SATIN)
RETURN DEPTH: 5"
FACE MATERIAL: .125" THICK ALUMINUM
FACE FINISH: PAINTED TO MATCH PMS 3025C BLUE/GREEN (SATIN) & MATTHEWS PAINT MP 28448 UMBRA GREY METALLIC LRV 31.5 (SATIN)
SPACED OFF DIMENSION: 2"
SPACER MATERIAL: 3/4" DIA. X 2" LONG ALUM.
SLEEVE SPACER
SPACER FINISH: PAINTED SATIN WHITE **1** UPDATED 2013 REVISED DIAM.
INTERNAL ILLUMINATION: WHITE LED'S
LETTER BACK MATERIAL: 3/16" THICK CLEAR LEXAN
POWER SUPPLIES: 12V POWER SUPPLIES (REMOTELY MOUNTED)
INSTALL METHOD: MOUNTED TO EXTERIOR BUILDING WALL VIA 3/8" DIA. S/S THREADED STUDS (3/8" DIA. X 7") **1** UPDATED 2013 REVISED LENGTH



84'-4 5/8" **1** UPDATED 2013 REVISED LENGTH

RIDEOUT REGIONAL MEDICAL CENTER

1 UPDATED 2013 REVISED CONNECTION POINTS & ADDED ELECTRICAL INFORMATION



ELECTRICAL INFORMATION:
 ILT-1X2-W LED MODULES
 282.48 WATTS
 5, ILT-CEN-60-12 POWER SUPPLY

MOUNTING HOLES AND ELECTRICAL (TOP PENETRATIONS)

SCALE: 3/16" = 1'-0"

BASIC WIND SPEED 90 MPH
 -3 SEC GUST WIND
 IMPORTANCE FACTOR: 1.0
 EXPOSURE B

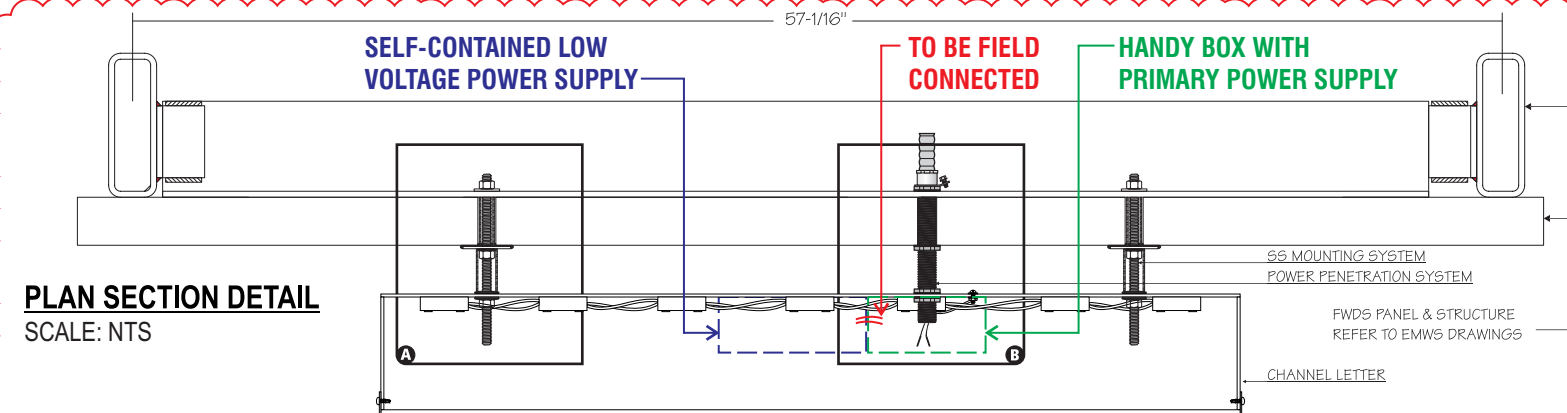
ESTIMATED SIGN WEIGHT
4.5 lbs. PER LETTER

ESTIMATED ELECTRICAL LOAD
 TBD @ 120VAC
 ESTIMATED ELECTRICAL REQ.
 (1)20A circuit @ 120VAC

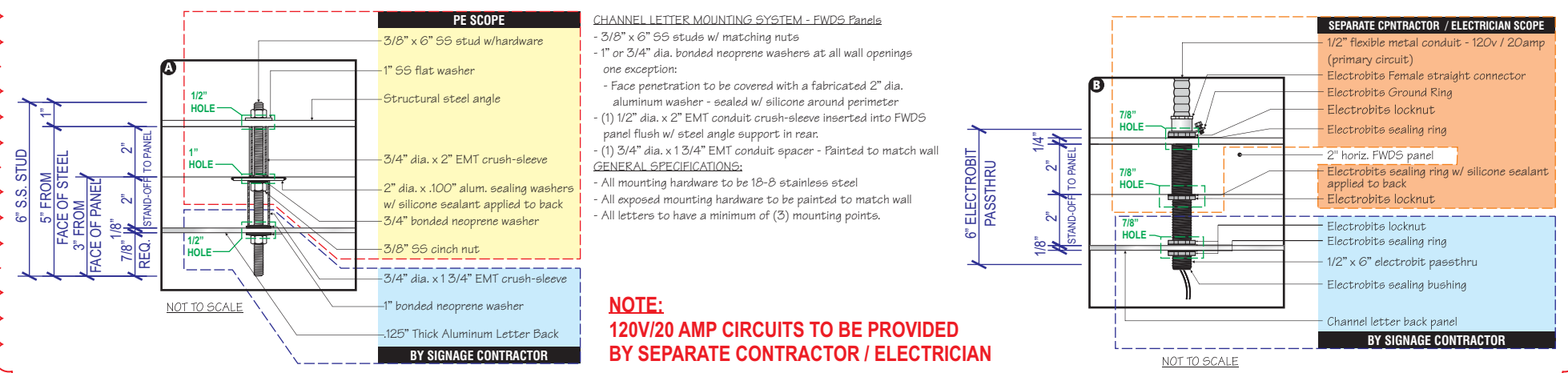
GENERAL NOTES:

- U.L. LISTED - FILE NUMBER E162744
- ALL ELECTRICAL WORK SHALL BE PERFORMED IN ACCORDANCE WITH "NEC" REF. SECTION 600
- ALL ELECTRICAL SIGN SECTIONS TO HAVE U.L. LABEL IN ACCORDANCE WITH "NEC" 600.3 AND MANUFACTURERS LABEL LOCATED NEXT TO DISCONNECT SWITCH
- ALL NON-CURRENT CARRYING METAL PARTS OF SIGN SHALL BE GROUNDED & BONDED IN ACCORDANCE WITH "NEC" 250
- ALL WIRING CONTAINED IN ENCLOSED AREAS WITH LAMPS SHALL BE FIXTURE RATED
- SPlicing OF CONDUCTORS SHALL BE MADE IN JUNCTION BOXES OR SIMILAR METAL ENCLOSURES
- AT THE POINT THAT ELECTRICAL CABLE PASSES THRU THE SIGN BOX, IT SHALL PASS THRU A U.L. LISTED RUBBER GROMMET

1 UPDATED 2013 REVISED SECTION DETAILS



PLAN SECTION DETAIL
SCALE: NTS



NOTE:
 120V/20 AMP CIRCUITS TO BE PROVIDED BY SEPARATE CONTRACTOR / ELECTRICIAN

imageGROUP
 ENVIRONMENTAL GROUPS • SIGAGE • WATERPROOF • CORPORATE BRANDING

SEATTLE • SAN DIEGO

MAIN OFFICE
 380 STEVENS AVENUE #307
 SOLANA BEACH, CA 92075

PHONE: 858.345.1542
 FAX: 858.408.3203

CLIENT INFORMATION:
Rideout Regional Medical Center
 726 4th Street
 Marysville, CA 95901



APPROVALS:
 IG ACCOUNT MANAGER _____
 IG PRODUCTION MANAGER _____
 CLIENT APPROVAL _____

SALES REP:
Rebecca Redmon

DESIGNER:
R.Germar

REVISION DATES:
12 10-07-2013 RLG
13 10-15-2013 RLG
14 12-03-2013 RLG
15 12-10-2013 RLG
16 12-30-2013 RLG

VOLTAGE: 120V
 240V

THIS ORIGINAL UNPUBLISHED DESIGN IS THE SOLE PROPERTY OF IMAGE GROUP. IT CANNOT BE REPRODUCED, COPIED OR EXHIBITED IN WHOLE OR PART, WITHOUT FIRST OBTAINING WRITTEN CONSENT FROM IMAGE GROUP. COLORS REPRESENTED IN THIS DRAWING ARE FOR PRESENTATION PURPOSES ONLY. THEY MAY NOT MATCH YOUR FINISHED PRODUCT PERFECTLY. COLOR CALL-OUTS ARE FOR REFERENCE PURPOSES ONLY.

PRIMARY ELECTRICAL TO SIGN LOCATIONS IS TO BE PROVIDED BY OTHERS. 20 AMP DEDICATED CIRCUIT(S) WITH NO SHARED NEUTRALS AND A GROUND RETURNING TO THE PANEL IS REQUIRED FOR ALL INSTALLATIONS. THIS SIGN IS INTENDED TO BE INSTALLED IN ACCORDANCE WITH THE REQUIREMENTS OF ARTICLE 600 OF THE NATIONAL ELECTRICAL CODE AND/OR OTHER APPLICABLE LOCAL CODES. THIS INCLUDES PROPER GROUNDING AND BONDING OF THE SIGN.

DATE
01-30-2013

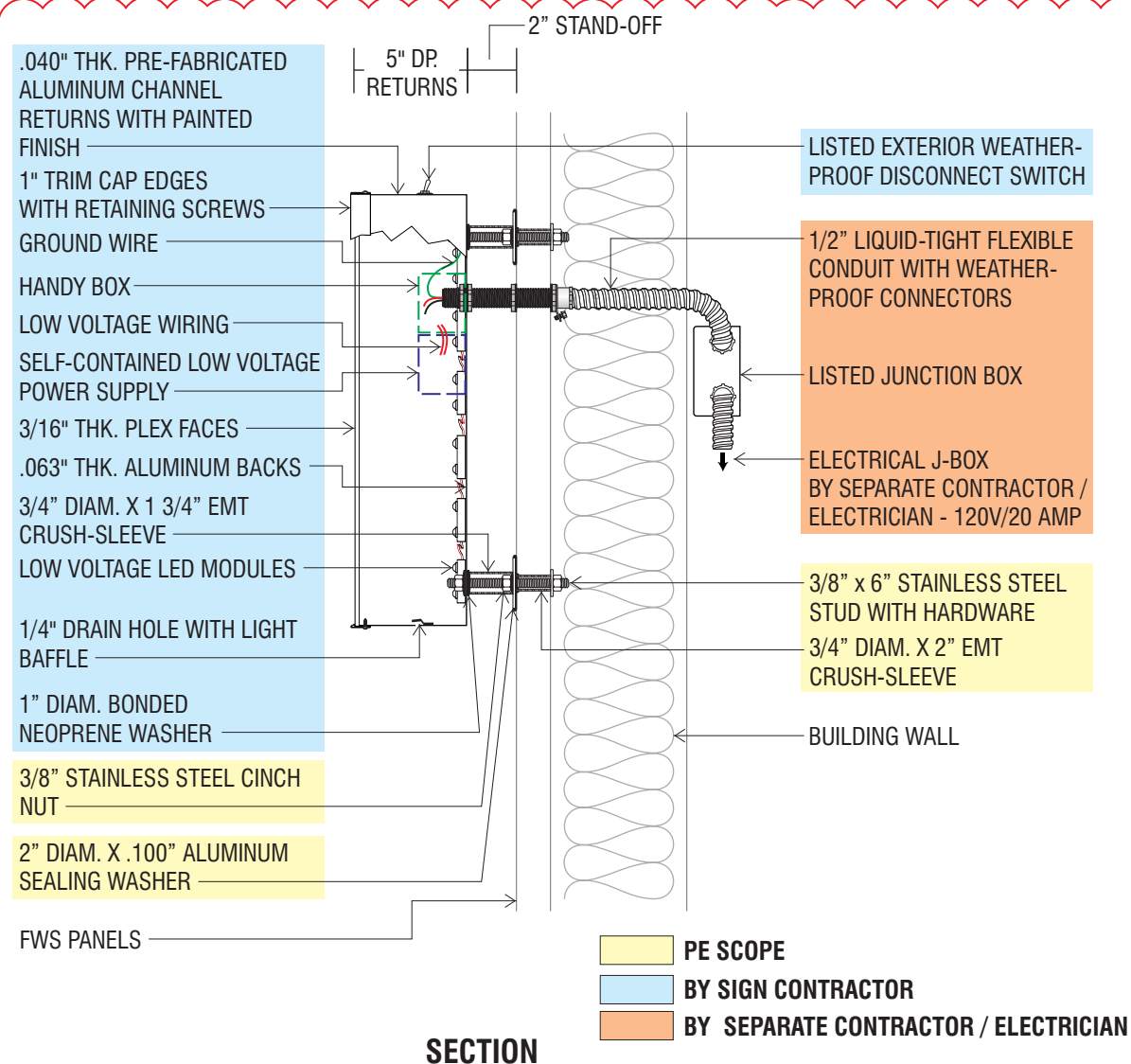
DESIGN NO:
Rideout Master Sign Program

PROJECT LOCATION:
Marysville, CA

SIGN TYPE:
Sign Type L Building Sign Construction Details

1 UPDATED 2013
ADDED CROSS SECTION

UPDATED 2013
ADDED CONSTRUCTION DETAILS



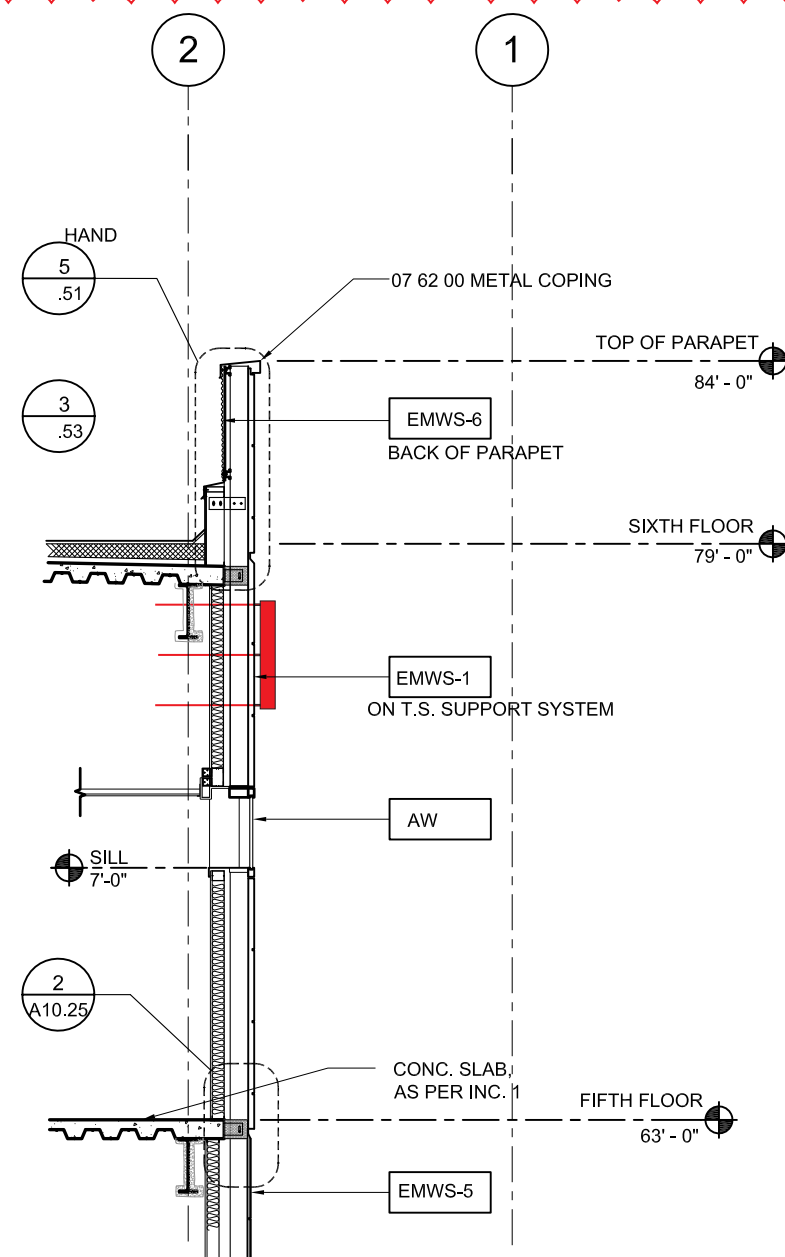
SECTION

SIGN TO BE UL APPROVED AND BEAR UL LABEL

PLEX FACED CHANNEL LETTERS WITH LED ILLUMINATION

NOTE:
THIS SIGN IS TO BE INSTALLED IN ACCORDANCE WITH THE REQUIREMENTS OF ARTICLE 600 OF THE NATIONAL ELECTRICAL CODE AND/OR OTHER APPLICABLE LOCAL CODES. THIS INCLUDES PROPER GROUNDING AND BONDING OF THE SIGN.

NOTE:
120V/20 AMP CIRCUITS TO BE PROVIDED
BY SEPARATE CONTRACTOR / ELECTRICIAN



10 WALL SECTION AT SOUTH ELEVATION

SCALE: 3/16" = 1'-0"

22.1

Y.J. INC.

25379 Wayne Mills Pl # 272
Valencia, CA 91355

Sign Design Based on 2007 CBC

DATE 8/2/2013

TEL: (661) 259-0700

FAX: (661) 259-0900

Job # JTS_30613
Project Rideout Regional Medical Center - Sign L
Job Location 726 4th Street
Marysville, CA.

INPUT DATA

Exposure category (B, C or D) = C
Importance factor, pg 73, (0.87, 1.0 or 1.15) I = 1.15 Category III or IV
Basic wind speed (3 sec. gust wind) V = 90 mph
Topographic factor (Sec.6.5.7.2, pg 26 & 45) K_{zt} = 1 Flat
Height of top h = 81 ft
Vertical dimension (for wall, s = h) s = 3 ft
Average horizontal dimension B = 1.31 ft
Dimension of return corner L_r = 0.42 ft

DESIGN SUMMARY

Max horizontal wind pressure p = 39 psf
Max total horizontal force at cen F = 0.15 kips

ANALYSIS

Velocity pressure

$$q_h = 0.00256 K_h K_{zt} K_d V^2 I = 24.59 \text{ psf}$$

where:

q_h = velocity pressure at mean roof height, h. (Eq. 6-15, page 27)

K_h = velocity pressure exposure coefficient = 1.21

evaluated at height, h. (Tab. 6-3, Case 1, pg 79)

K_{zt} = wind directionality factor. (Tab. 6-4, for building, page 80) = 0.85

h = height of top = 81.00 ft

Wind Force Case A: resultant force through the geometric center (Sec. 6.5.14 & Fig. 6-20)

$$p = q_h G C_f = 39 \text{ psf}$$

$$F = p A_s = 0.15 \text{ kips}$$

where: G = gust effect factor. (Sec. 6.5.8, page 28)

C_f = net force coefficient. (Fig. 6-20, page 73) = 1.85

$A_s = B s = 3.93 \text{ ft}^2$

Weight of cabinet, DL = 30 Lbs

Vertical distance between anchors, y = 2.77 ft

b (return) = 0.42 ft

Offset from wall = 0.17 ft

Min. no. of top or bott. anchors = 1 no.

Anchor Design

Stainless Steel Thru-Bolts
Tension Req'd. USE A307

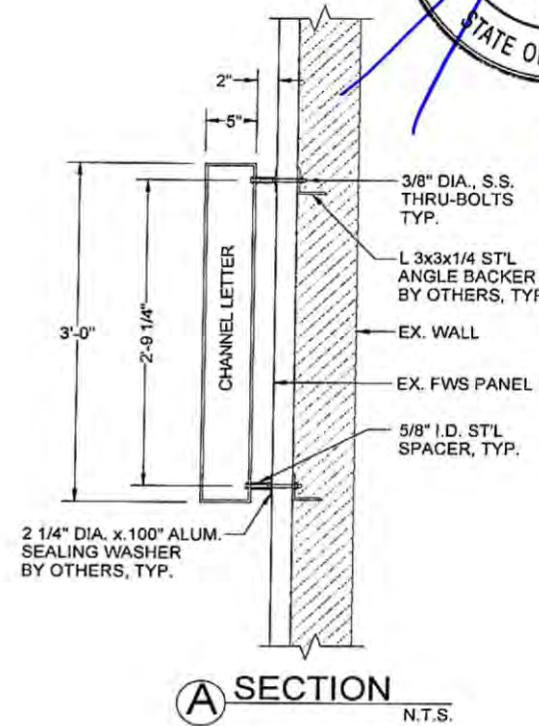
Ten = 81 3/8" Dia. T=2,180

Shear Required V = 15 V=1,163

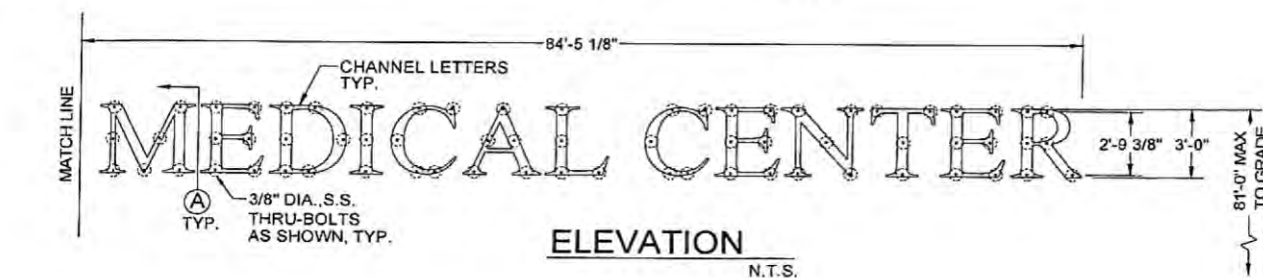
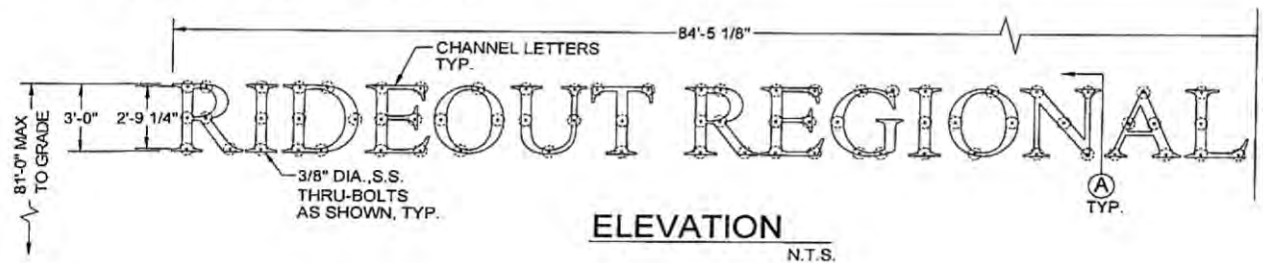
Unity = $(81/2180) + (15/1163) = 0.05 < 1.0$ (Ok)



AUG 02 2013



1 UPDATED 2013
ADDED ENGINEERING



NOTE: SIGN DESIGN IS BASED ON ADEQUATE EXISTING SUPPORT ELEMENTS.



SEATTLE • SAN DIEGO

MAIN OFFICE
380 STEVENS AVENUE #307
SOLANA BEACH, CA 92075

PHONE: 858.345.1542
FAX: 858.408.3203

CLIENT INFORMATION:
**Rideout Regional
Medical Center**
726 4th Street
Marysville, CA 95901



APPROVALS:
IG ACCOUNT MANAGER _____
IG PRODUCTION MANAGER _____
CLIENT APPROVAL _____

SALES REP:
Rebecca Redmon
DESIGNER:
R.Germar

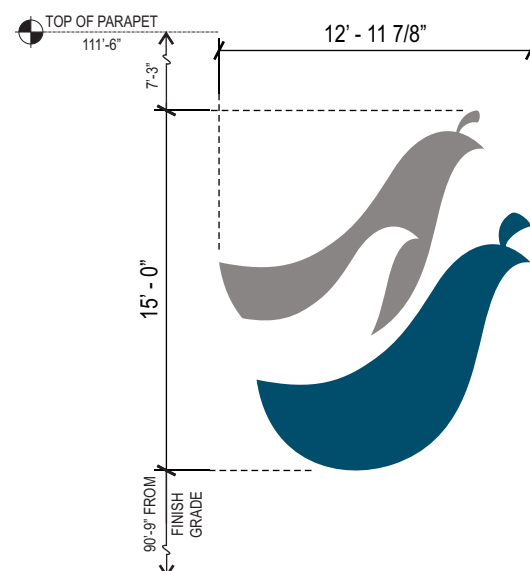
REVISION DATES:
12 10-07-2013 RLG
13 10-15-2013 RLG
14 12-03-2013 RLG
15 12-10-2013 RLG
16 12-30-2013 RLG

VOLTAGE: 120V
240V

THIS ORIGINAL UNPUBLISHED DESIGN IS THE SOLE PROPERTY OF IMAGE GROUP. IT CANNOT BE REPRODUCED, COPIED OR EXHIBITED IN WHOLE OR PART, WITHOUT FIRST OBTAINING WRITTEN CONSENT FROM IMAGE GROUP. COLORS REPRESENTED IN THIS DRAWING ARE FOR PRESENTATION PURPOSES ONLY. THEY MAY NOT MATCH YOUR FINISHED PRODUCT PERFECTLY. COLOR CALL-OUTS ARE FOR REFERENCE PURPOSES ONLY.

PRIMARY ELECTRICAL TO SIGN LOCATIONS IS TO BE PROVIDED BY OTHERS. 20 AMP DEDICATED CIRCUIT(S) WITH NO SHARED NEUTRALS AND A GROUND RETURNING TO THE PANEL IS REQUIRED FOR ALL INSTALLATIONS. THIS SIGN IS INTENDED TO BE INSTALLED IN ACCORDANCE WITH THE REQUIREMENTS OF ARTICLE 600 OF THE NATIONAL ELECTRICAL CODE AND/OR OTHER APPLICABLE LOCAL CODES. THIS INCLUDES PROPER GROUNDING AND BONDING OF THE SIGN.

DATE
01-30-2013
DESIGN NO:
Rideout Master Sign Program
PROJECT LOCATION:
Marysville, CA
SIGN TYPE:
**Sign Type L
Channel Letter
Engineering**



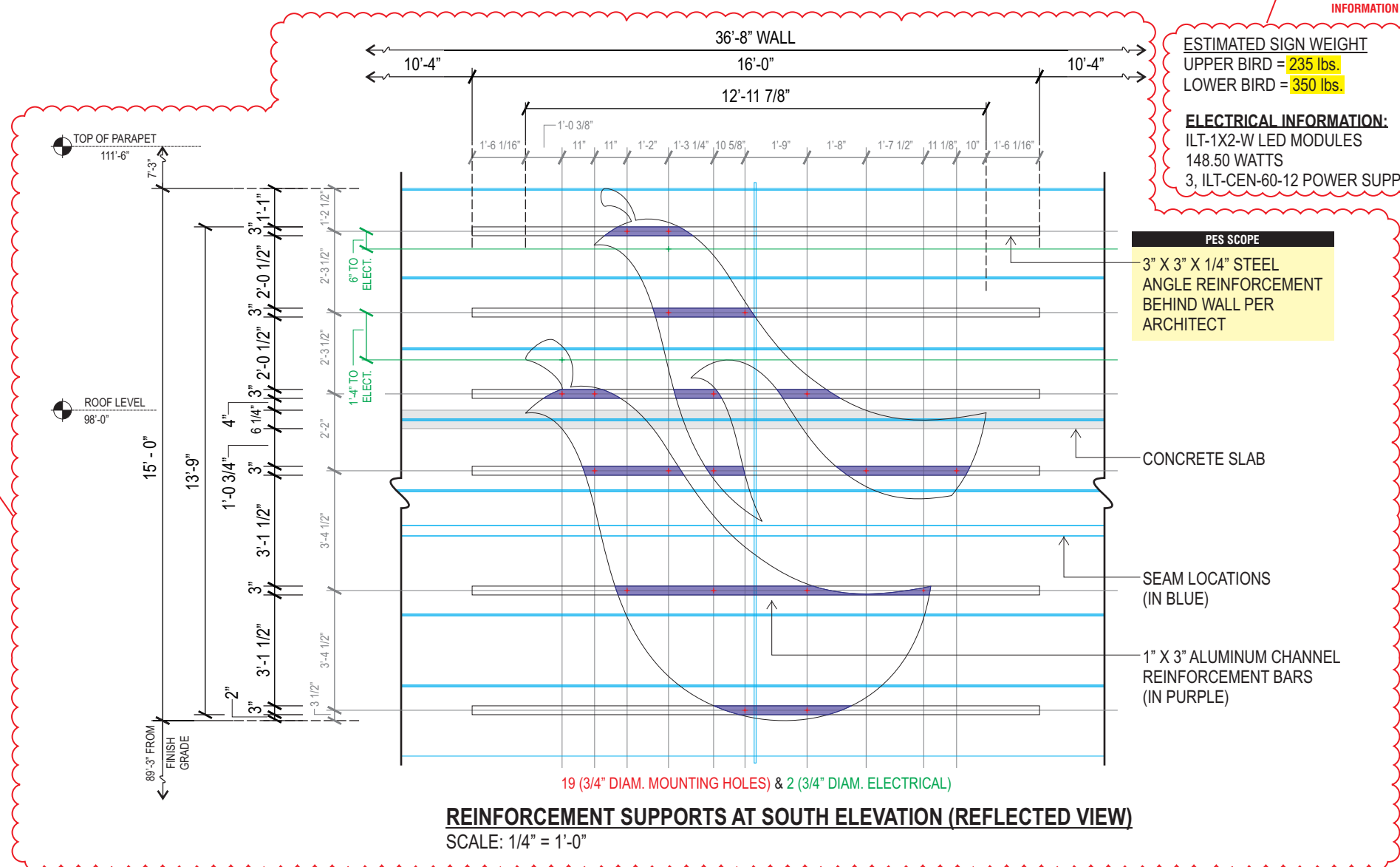
23.1

(M) HALO ILLUMINATED CHANNEL LOGO - CL-180-HI

SCALE: 1/8" = 1'-0"

SQ. FT. = 244.375 QTY: 1

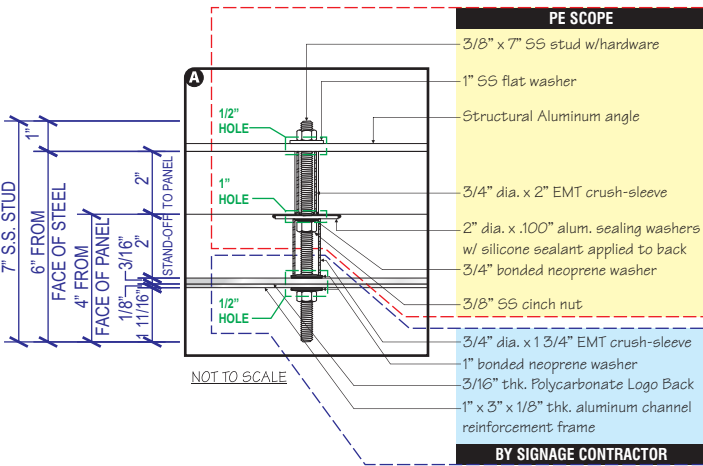
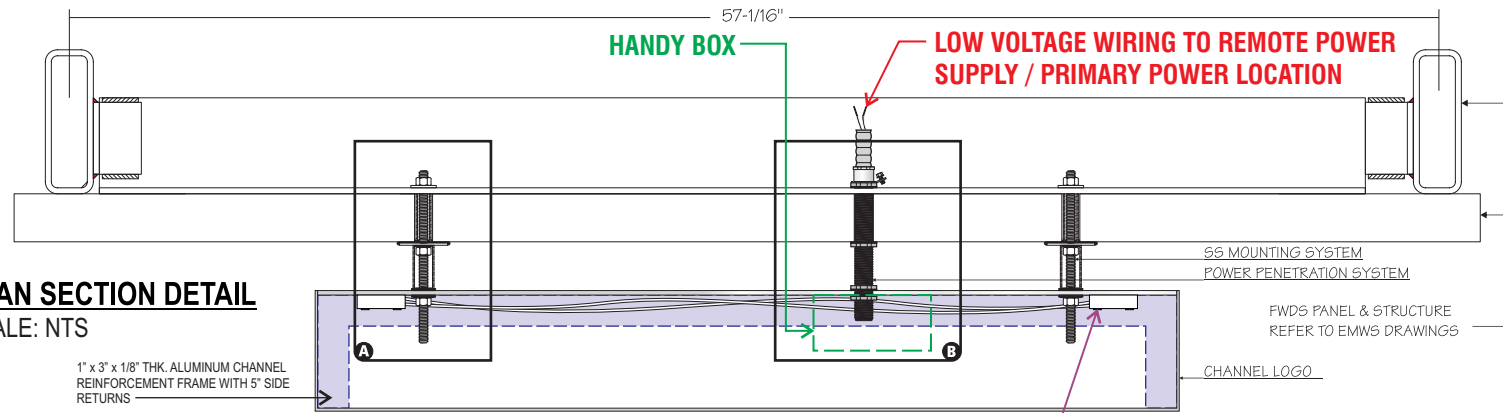
UPDATED 2013
ADDED MOUNTING
POINTS &
REINFORCEMENT
ANGLES



REINFORCEMENT SUPPORTS AT SOUTH ELEVATION (REFLECTED VIEW)
SCALE: 1/4" = 1'-0"

UPDATED 2013
REVISED DETAILS 1

PLAN SECTION DETAIL
SCALE: NTS



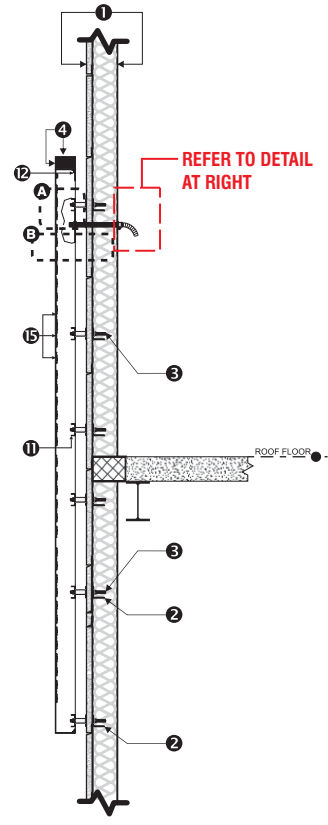
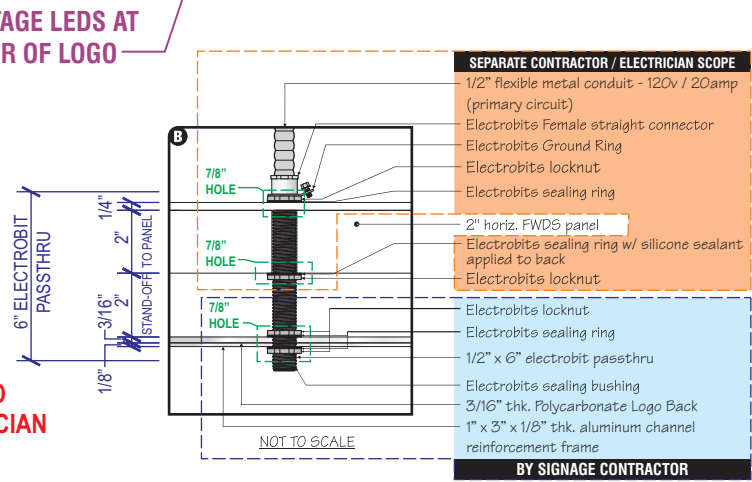
CHANNEL LOGO MOUNTING SYSTEM

- 3/8" x 7" SS studs w/ matching nuts
- 1" or 3/4" dia. bonded neoprene washers at all wall openings one exception:
- Face penetration to be covered with a fabricated 2" dia. aluminum washer - sealed w/ silicone around perimeter
- (1) 1/2" dia. x 2" EMT conduit crush-sleeve inserted into FWDS panel flush w/ steel angle support in rear.
- (1) 3/4" dia. x 1 3/4" EMT conduit spacer - Painted to match wall

GENERAL SPECIFICATIONS:

- All mounting hardware to be 18-8 stainless steel
- All exposed mounting hardware to be painted to match wall
- All letters to have a minimum of (3) mounting points.

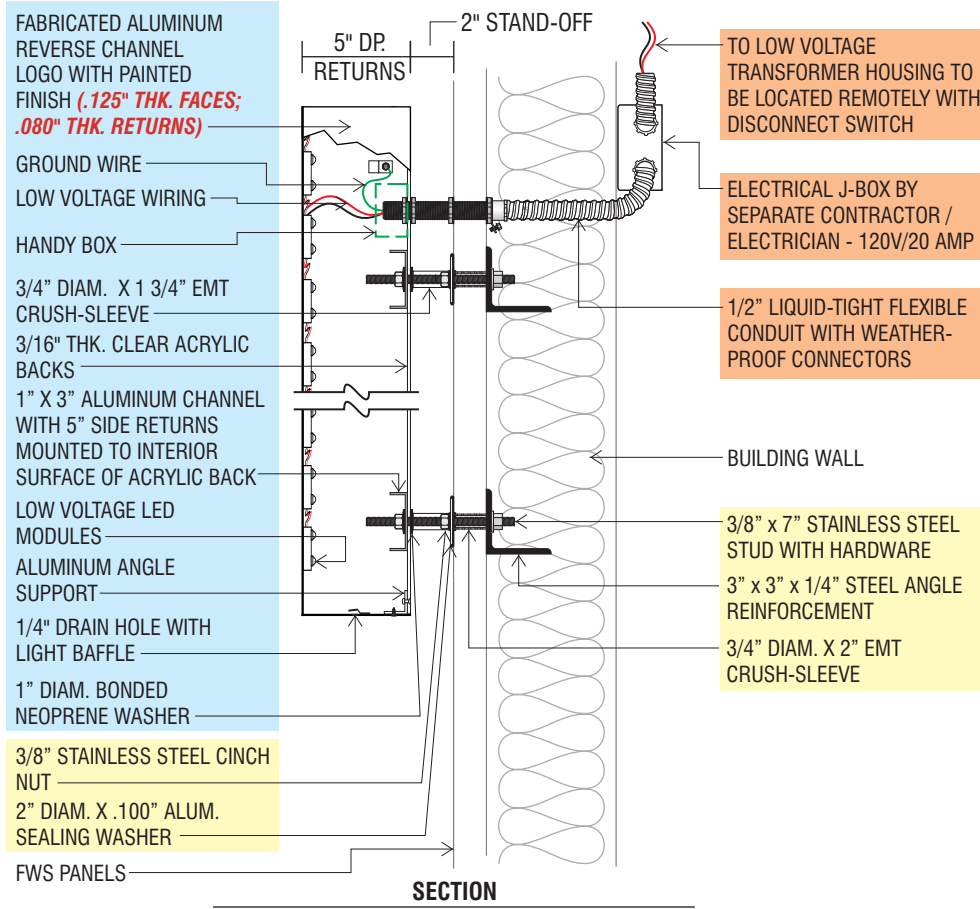
NOTE:
120V/20 AMP CIRCUITS TO BE PROVIDED BY SEPARATE CONTRACTOR / ELECTRICIAN



SECTION DETAIL
SCALE: 1/4" = 1'-0"

- 1 - Outside and inside mounting surfaces
- 2 - (5) 3" x 3" x 1/4" steel angle reinforcement runners
- 3 - Threaded rod mounting system hardware
- 4 - Metal Logo form and return
- 9 - Remote mounted power supply housing for small bird unit
- 10 - Remote mounted power supply housing for large bird unit
- 11 - 1" x 3" aluminum channel w/ 5" side returns mounted to interior surface of acrylic back.
- 12 - Aluminum mounting clips for clear polycarbonate panels
- 15 - Individual LED light modules

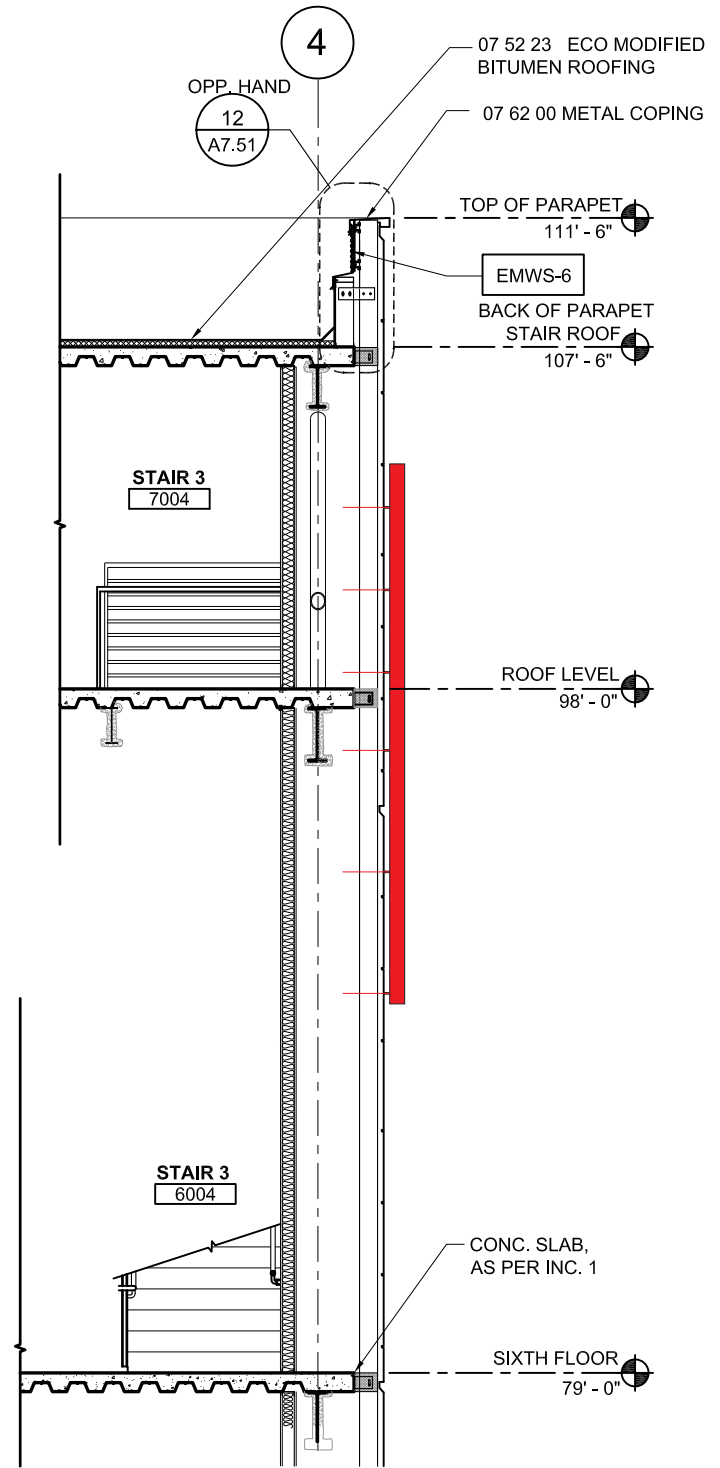
PE SCOPE
BY SIGN CONTRACTOR
BY SEPARATE CONTRACTOR / ELECTRICIAN



REVERSE PAN CHANNEL LOGO WITH LED ILLUMINATION

NOTE:
THIS SIGN IS TO BE INSTALLED IN ACCORDANCE WITH THE REQUIREMENTS OF ARTICLE 600 OF THE NATIONAL ELECTRICAL CODE AND/OR OTHER APPLICABLE LOCAL CODES. THIS INCLUDES PROPER GROUNDING AND BONDING OF THE SIGN.

PE SCOPE
BY SIGN CONTRACTOR
BY SEPARATE CONTRACTOR / ELECTRICIAN



6 TYPICAL WALL SECTION AT STAIRWELLS

SCALE: 3/16" = 1'-0"

23.1

CLIENT INFORMATION:
Rideout Regional Medical Center
726 4th Street
Marysville, CA 95901



APPROVALS:
IG ACCOUNT MANAGER _____
IG PRODUCTION MANAGER _____
CLIENT APPROVAL _____

SALES REP:
Rebecca Redmon
DESIGNER:
R.Germar

- REVISION DATES:
- 12 10-07-2013 RLG
 - 13 10-15-2013 RLG
 - 14 12-03-2013 RLG
 - 15 12-10-2013 RLG
 - 16 12-30-2013 RLG

VOLTAGE: 120V
240V

THIS ORIGINAL UNPUBLISHED DESIGN IS THE SOLE PROPERTY OF IMAGE GROUP. IT CANNOT BE REPRODUCED, COPIED OR EXHIBITED IN WHOLE OR PART, WITHOUT FIRST OBTAINING WRITTEN CONSENT FROM IMAGE GROUP. COLORS REPRESENTED IN THIS DRAWING ARE FOR PRESENTATION PURPOSES ONLY. THEY MAY NOT MATCH YOUR FINISHED PRODUCT PERFECTLY. COLOR CALL-OUTS ARE FOR REFERENCE PURPOSES ONLY.

PRIMARY ELECTRICAL TO SIGN LOCATIONS IS TO BE PROVIDED BY OTHERS. 20 AMP DEDICATED CIRCUIT(S) WITH NO SHARED NEUTRALS AND A GROUND RETURNING TO THE PANEL IS REQUIRED FOR ALL INSTALLATIONS. THIS SIGN IS INTENDED TO BE INSTALLED IN ACCORDANCE WITH THE REQUIREMENTS OF ARTICLE 600 OF THE NATIONAL ELECTRICAL CODE AND/OR OTHER APPLICABLE LOCAL CODES. THIS INCLUDES PROPER GROUNDING AND BONDING OF THE SIGN.

DATE
01-30-2013
DESIGN NO:
Rideout Master Sign Program
PROJECT LOCATION:
Marysville, CA

SIGN TYPE:
Sign Type M Building Sign Construction Details

Y.J. INC.

25379 Wayne Mills Pl # 272
Valencia, CA 91355

Sign Design Based on 2007 CBC

DATE 8/2/2013

TEL: (661) 259-0700

FAX: (661) 259-0900

Job # JTS_30613
Project Rideout Regional Medical Center - Sign M
Job Location 726 4th Street
Marysville, CA

INPUT DATA

Exposure category (B, C or D)	=	C
Importance factor, pg 73, (0.87, 1.0 or 1.15)	I =	1.15 Category III or IV
Basic wind speed (3 sec. gust wind)	V =	90 mph
Topographic factor (Sec.6.5.7.2, pg 26 & 45)	K_{zt} =	1 Flat
Height of top	h =	105.75 ft
Vertical dimension (for wall, s = h)	s =	3.3518 ft
Average horizontal dimension	B =	12.99 ft
Dimension of return corner	L_r =	0.42 ft

DESIGN SUMMARY

Max horizontal wind pressure	p =	40 psf
Max total horizontal force at cei	F =	1.74 kips

ANALYSIS

Velocity pressure

$$q_h = 0.00256 K_h K_{zt} K_d V^2 I = 25.54 \text{ psf}$$

where:

q_h = velocity pressure at mean roof height, h. (Eq. 6-15, page 27)

K_h = velocity pressure exposure coefficient = 1.26

evaluated at height, h, (Tab. 6-3, Case 1, pg 79)

K_d = wind directionality factor. (Tab. 6-4, for building, page 80) = 0.85

h = height of top = 105.8 ft

Wind Force Case A: resultant force through the geometric center (Sec. 6.5.14 & Fig. 6-20)

$$p = q_h G C_f = 40 \text{ psf}$$

$$F = p A_x = 1.74 \text{ kips}$$

$$\text{where: } G = \text{gust effect factor. (Sec. 6.5.8, page 26)} = 0.85$$

$$C_f = \text{net force coefficient. (Fig. 6-20, page 73)} = 1.85$$

$$A_x = B s = 43.54 \text{ ft}^2$$

Weight of cabinet, DL = 270 Lbs

Vertical distance between anchors, y = 13.50 ft

b (return) = 0.42 ft

Offset from wall = 0.17 ft

Min. no. of top or bott. anchors = 2 no.

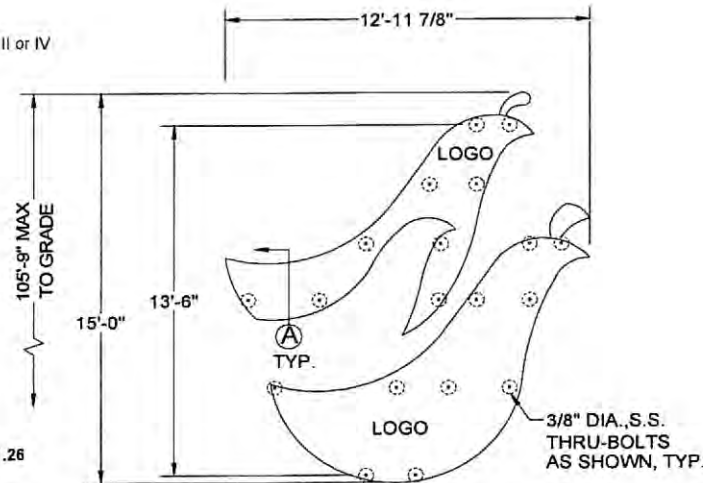
Anchor Design

Stainless Steel Thru-Bolts

Tension Req'd. USE A307 T=2,180

Shear Required 3/8" Dia., V=68

Unity = $(439/2180) + (68/1163) = 0.26 < 1.0$ (OK)

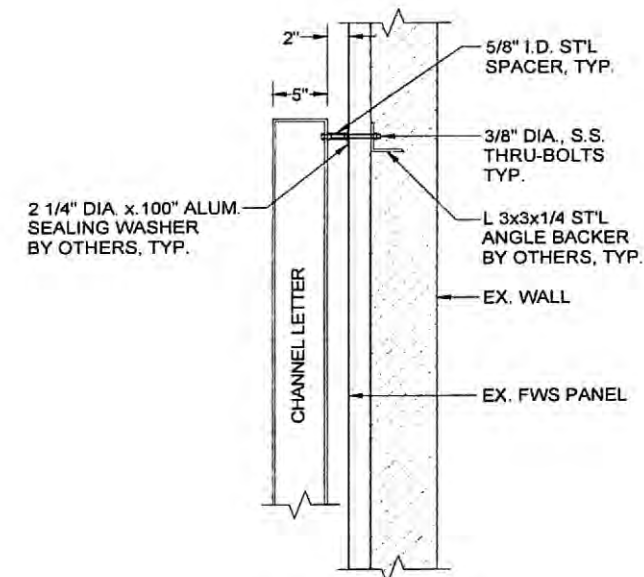


ELEVATION

N.T.S.

1 UPDATED 2013
ADDED ENGINEERING

Anchor Design
Stainless Steel Thru-Bolts
Tension Req'd. USE A307 T=2,180
Shear Required 3/8" Dia., V=68
Unity = (439/2180) + (68/1163) = 0.26 < 1.0 (OK)



A SECTION

N.T.S.



AUG 02 2013

NOTE: SIGN DESIGN IS BASED ON ADEQUATE EXISTING SUPPORT ELEMENTS.



SEATTLE • SAN DIEGO

MAIN OFFICE
380 STEVENS AVENUE #307
SOLANA BEACH, CA 92075

PHONE: 858.345.1542
FAX: 858.408.3203

CLIENT INFORMATION:

Rideout Regional
Medical Center
726 4th Street
Marysville, CA 95901



APPROVALS:

IG ACCOUNT MANAGER _____

IG PRODUCTION MANAGER _____

CLIENT APPROVAL _____

SALES REP:

Rebecca Redmon

DESIGNER:

R.Germar

REVISION DATES:

12 10-07-2013 RLG

13 10-15-2013 RLG

14 12-03-2013 RLG

15 12-10-2013 RLG

16 12-30-2013 RLG

VOLTAGE:

120V

240V

THIS ORIGINAL UNPUBLISHED DESIGN IS THE SOLE PROPERTY OF IMAGE GROUP. IT CANNOT BE REPRODUCED, COPIED OR EXHIBITED IN WHOLE OR PART, WITHOUT FIRST OBTAINING WRITTEN CONSENT FROM IMAGE GROUP. COLORS REPRESENTED IN THIS DRAWING ARE FOR PRESENTATION PURPOSES ONLY. THEY MAY NOT MATCH YOUR FINISHED PRODUCT PERFECTLY. COLOR CALL-OUTS ARE FOR REFERENCE PURPOSES ONLY.

PRIMARY ELECTRICAL TO SIGN LOCATIONS IS TO BE PROVIDED BY OTHERS. 20 AMP DEDICATED CIRCUIT(S) WITH NO SHARED NEUTRALS AND A GROUND RETURNING TO THE PANEL IS REQUIRED FOR ALL INSTALLATIONS. THIS SIGN IS INTENDED TO BE INSTALLED IN ACCORDANCE WITH THE REQUIREMENTS OF ARTICLE 600 OF THE NATIONAL ELECTRICAL CODE AND/OR OTHER APPLICABLE LOCAL CODES. THIS INCLUDES PROPER GROUNDING AND BONDING OF THE SIGN.

DATE

01-30-2013

DESIGN NO:

Rideout Master Sign Program

PROJECT LOCATION:

Marysville, CA

SIGN TYPE:

Sign Type M

Reverse Channel

Logo Engineering

CLIENT INFORMATION:

**Rideout Regional
Medical Center**
726 4th Street
Marysville, CA 95901



APPROVALS:

IG ACCOUNT MANAGER _____
IG PRODUCTION MANAGER _____
CLIENT APPROVAL _____

SALES REP:

Rebecca Redmon

DESIGNER:

R.Germar

REVISION DATES:

- 12 10-07-2013 RLG
- 13 10-15-2013 RLG
- 14 12-03-2013 RLG
- 15 12-10-2013 RLG
- 16 12-30-2013 RLG

VOLTAGE: 120V
 240V

THIS ORIGINAL UNPUBLISHED DESIGN IS THE SOLE PROPERTY OF IMAGE GROUP. IT CANNOT BE REPRODUCED, COPIED OR EXHIBITED IN WHOLE OR PART, WITHOUT FIRST OBTAINING WRITTEN CONSENT FROM IMAGE GROUP. COLORS REPRESENTED IN THIS DRAWING ARE FOR PRESENTATION PURPOSES ONLY. THEY MAY NOT MATCH YOUR FINISHED PRODUCT PERFECTLY. COLOR CALL-OUTS ARE FOR REFERENCE PURPOSES ONLY.

PRIMARY ELECTRICAL TO SIGN LOCATIONS IS TO BE PROVIDED BY OTHERS. 20 AMP DEDICATED CIRCUIT(S) WITH NO SHARED NEUTRALS AND A GROUND RETURNING TO THE PANEL IS REQUIRED FOR ALL INSTALLATIONS. THIS SIGN IS INTENDED TO BE INSTALLED IN ACCORDANCE WITH THE REQUIREMENTS OF ARTICLE 600 OF THE NATIONAL ELECTRICAL CODE AND/OR OTHER APPLICABLE LOCAL CODES. THIS INCLUDES PROPER GROUNDING AND BONDING OF THE SIGN.

DATE

01-30-2013

DESIGN NO:

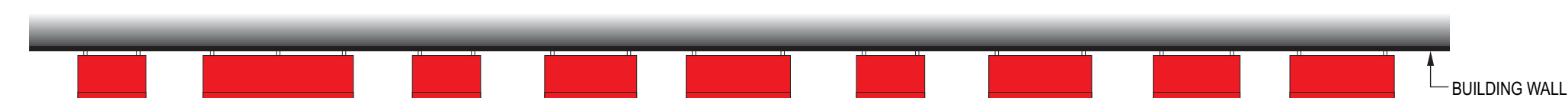
Rideout Master Sign Program

PROJECT LOCATION:

Marysville, CA

SIGN TYPE:

**Sign Type N & J
Building Sign
Details**



PLAN VIEW

SCALE: 3/4" = 1'-0"



SIGN SPECIFICATIONS

CHANNEL LETTERS

RETURN MATERIAL: .040" THICK ALUMINUM
RETURN FINISH: PAINTED TO MATCH PMS 186C RED (SATIN)
RETURN DEPTH: 5"
SPACED OFF WALL DEPTH: 1/2"
SPACER MATERIAL: 1/2" DIA. X 1/2" LONG ALUM. SLEEVE SPACER
SPACER FINISH: PAINTED TO MATCH PMS 186C RED (SATIN)
FACE MATERIAL: 3/16" THICK ACRYLIC
FACE FINISH: #2283 RED (TRANS)
TRIM CAP MATERIAL: 1" VINYL TRIM CAP
TRIM CAP FINISH: RED
INTERNAL ILLUMINATION: WHITE LED'S
LETTER BACK MATERIAL: .063" THK. ALUMINUM
POWER SUPPLIES: 12V POWER SUPPLIES (REMOTELY MOUNTED)
INSTALL METHOD: SEE CONSTRUCTION DETAILS.

24.1 (N) FACE ILLUMINATED CHANNEL LETTERS - CL-14

SCALE: 3/4" = 1'-0"

SQ. FT. = 14 QTY: 1

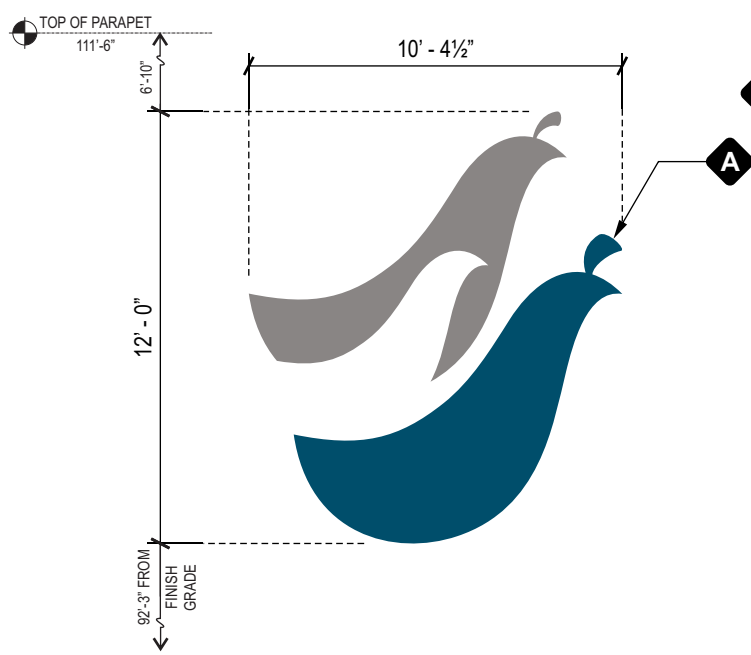
SIGN SPECIFICATIONS

CHANNEL LOGO

RETURN MATERIAL: .080" THICK ALUMINUM
RETURN FINISH: PAINTED TO MATCH PMS 3025C BLUE/GREEN (SATIN) & MATTHEWS PAINT MP 28448 UMBRA GREY METALLIC LRV 31.5 (SATIN)
RETURN DEPTH: 5"
FACE MATERIAL: .125" THICK ALUMINUM
FACE FINISH: PAINTED TO MATCH PMS 3025C BLUE/GREEN (SATIN) & MATTHEWS PAINT MP 28448 UMBRA GREY METALLIC LRV 31.5 (SATIN)
SPACED OFF DIMENSION: 2"
SPACER MATERIAL: 3/4" DIA. X 2" LONG ALUM. SLEEVE SPACER
SPACER FINISH: PAINTED SATIN WHITE
INTERNAL ILLUMINATION: WHITE LED'S
LETTER BACK MATERIAL: 3/16" THICK CLEAR LEXAN
POWER SUPPLIES: 12V POWER SUPPLIES (REMOTELY MOUNTED)
INSTALL METHOD: MOUNTED TO EXTERIOR BUILDING WALL VIA 3/8" DIA. S/S THREADED STUDS (3/8" DIA. X 7")

1 UPDATED 2013 REVISED DIAM.

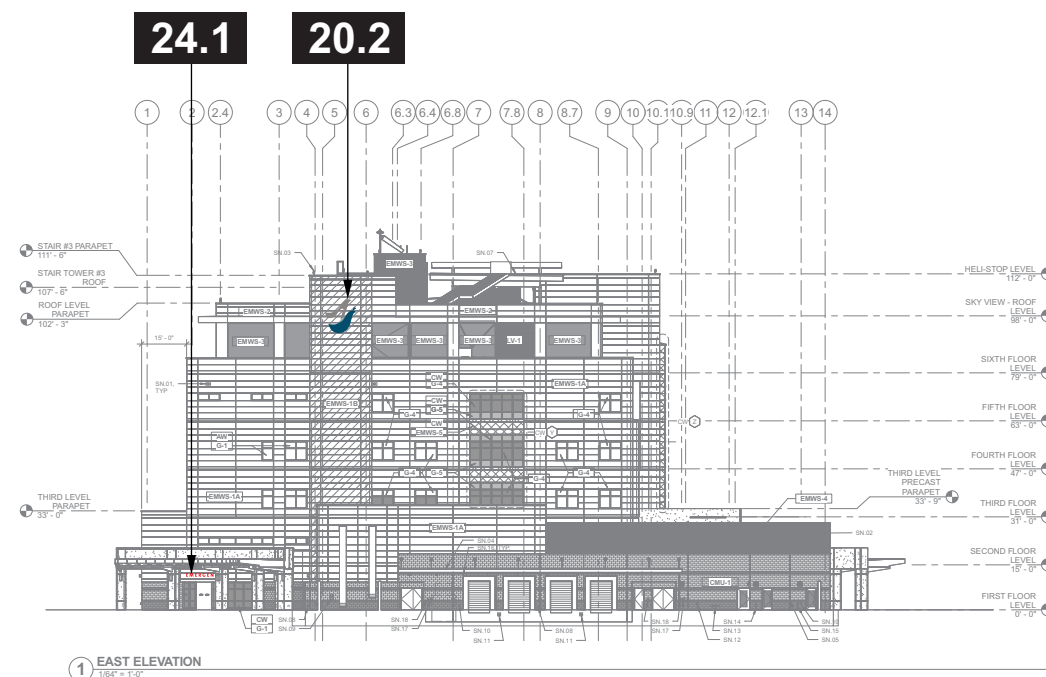
1 UPDATED 2013 REVISED LENGTH

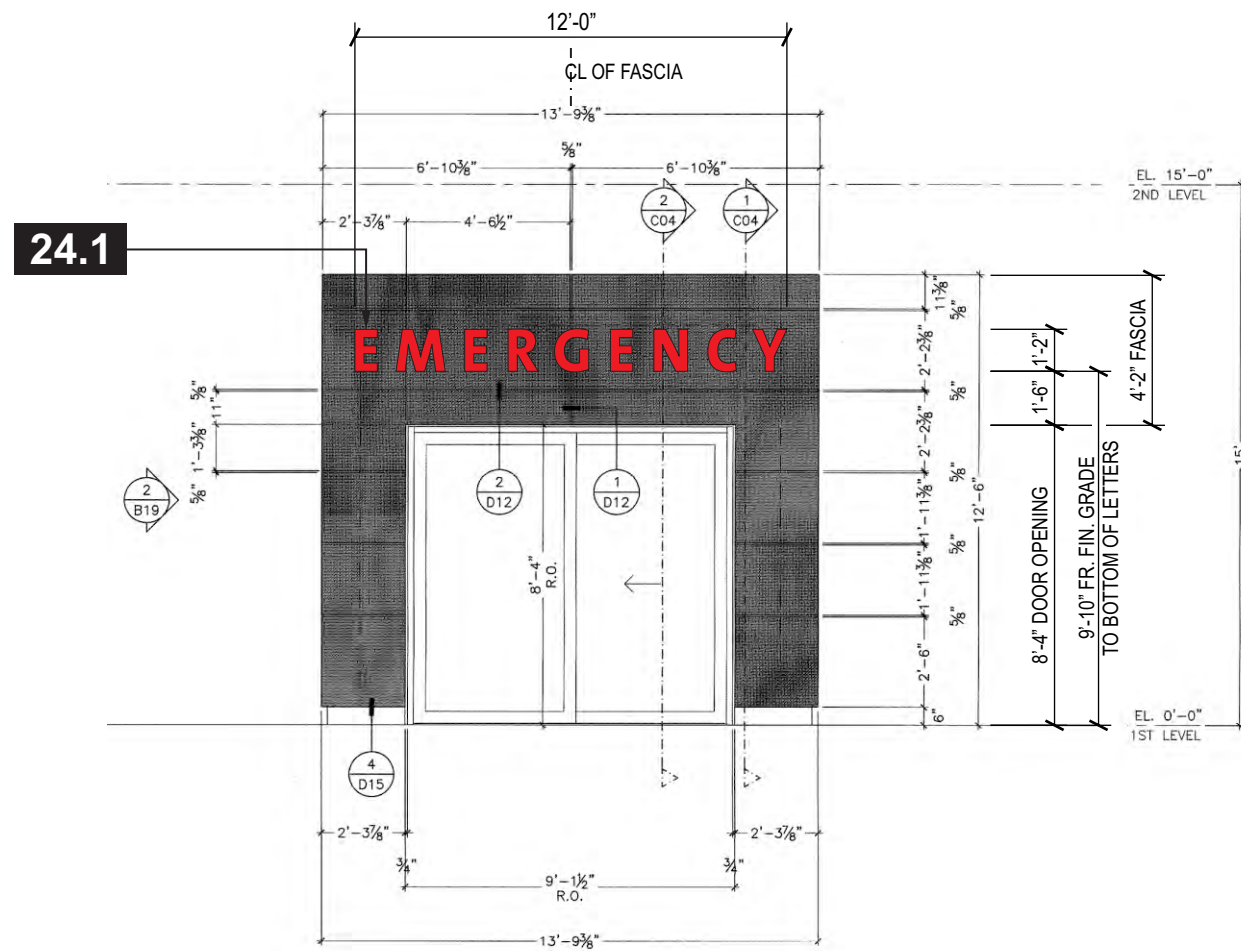
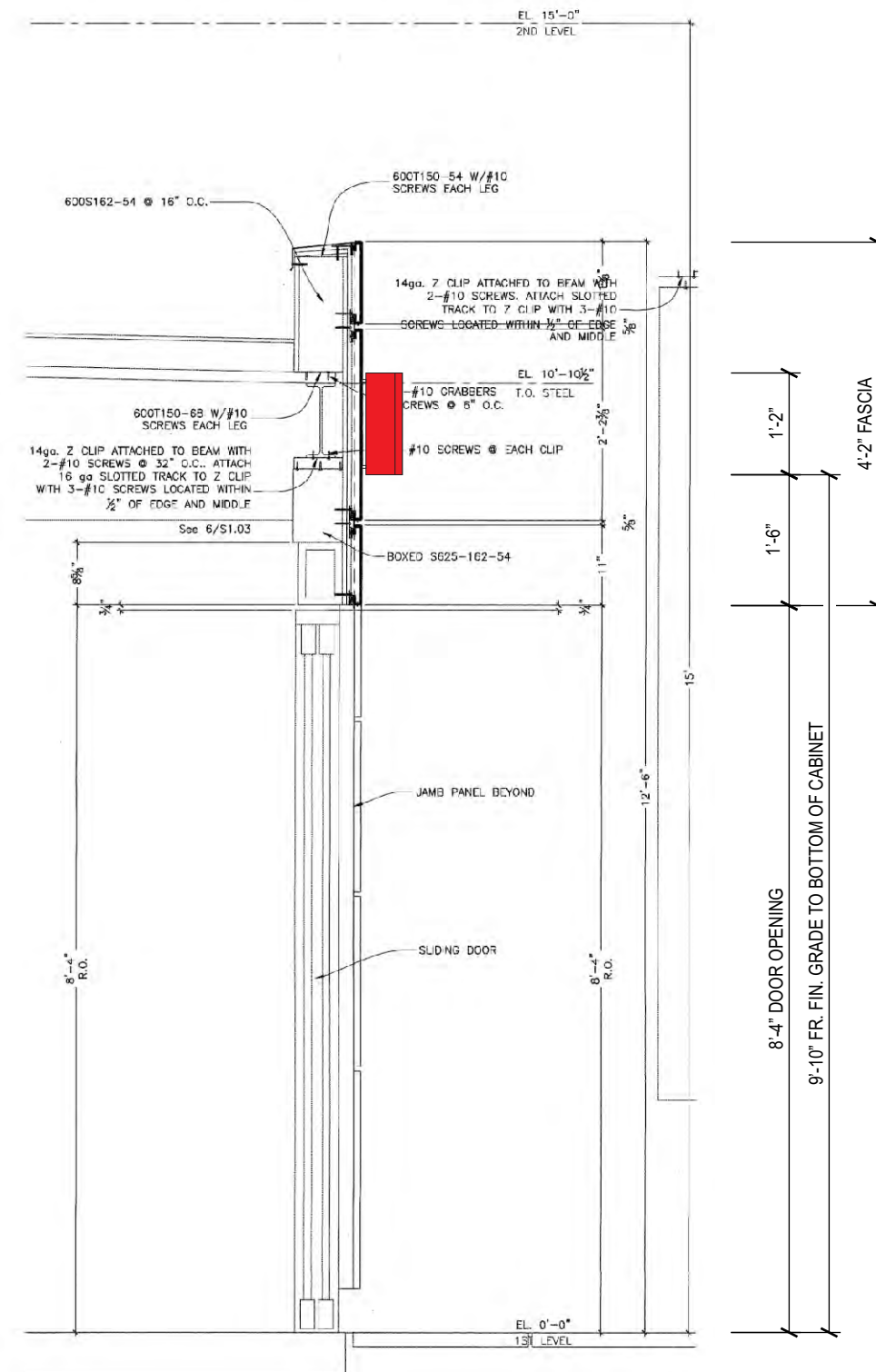
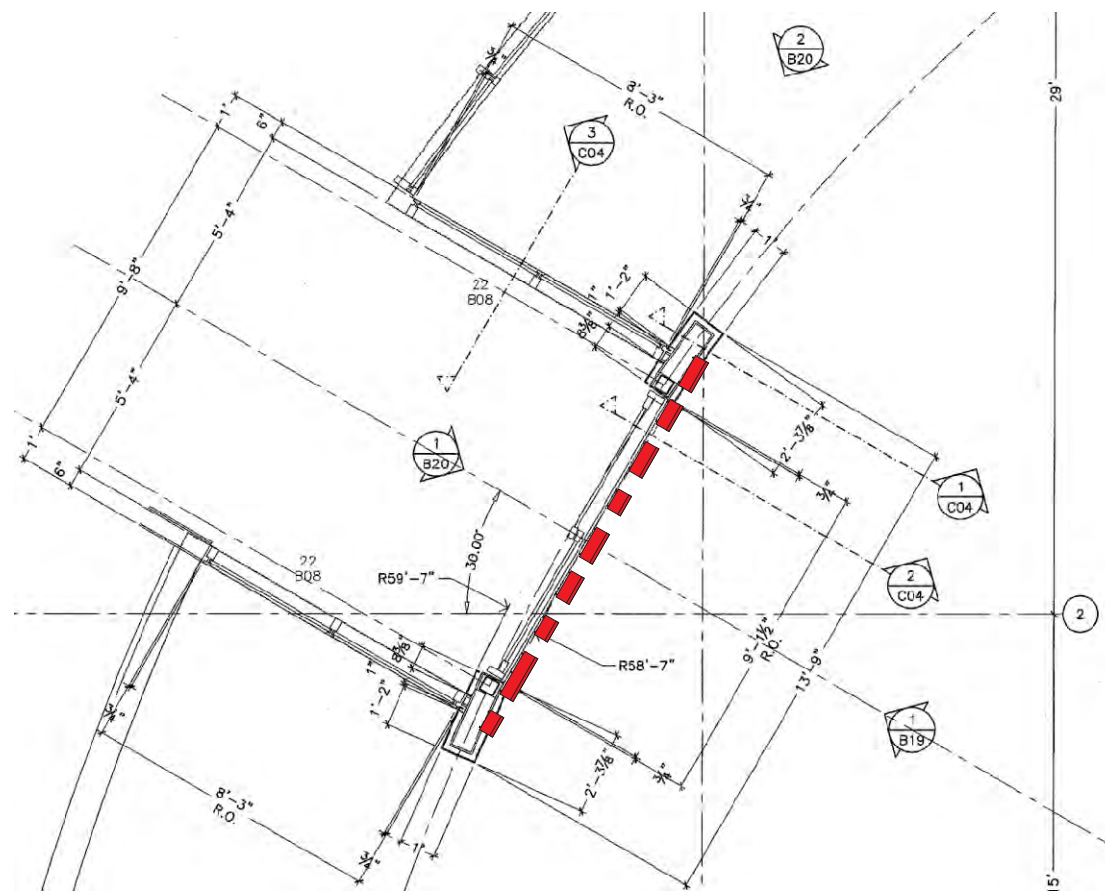


20.2 (J) HALO ILLUMINATED CHANNEL LOGO - CL-144-HI

SCALE: 3/16" = 1'-0"

SQ. FT. = 124.5 QTY: 1





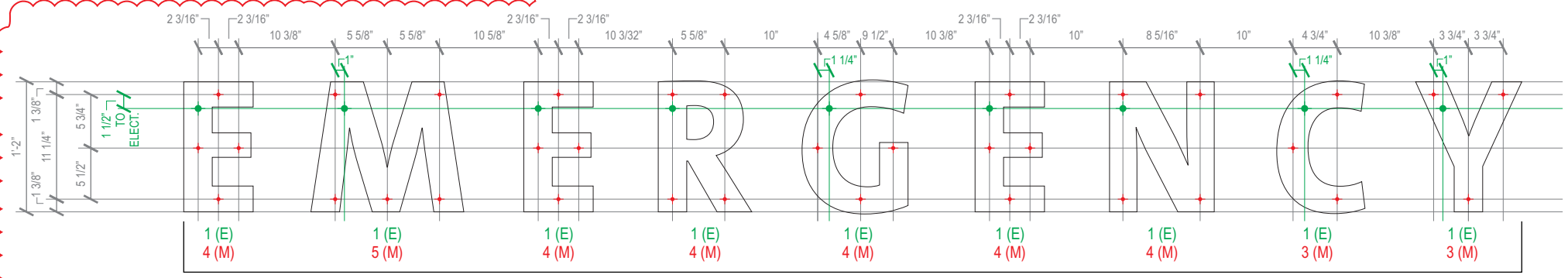
E.D. VESTIBULE ELEVATION
SCALE: 3/16" = 1'-0"

E.D. VESTIBULE SECTION VIEW
SCALE: 1/2" = 1'-0"

EMERGENCY

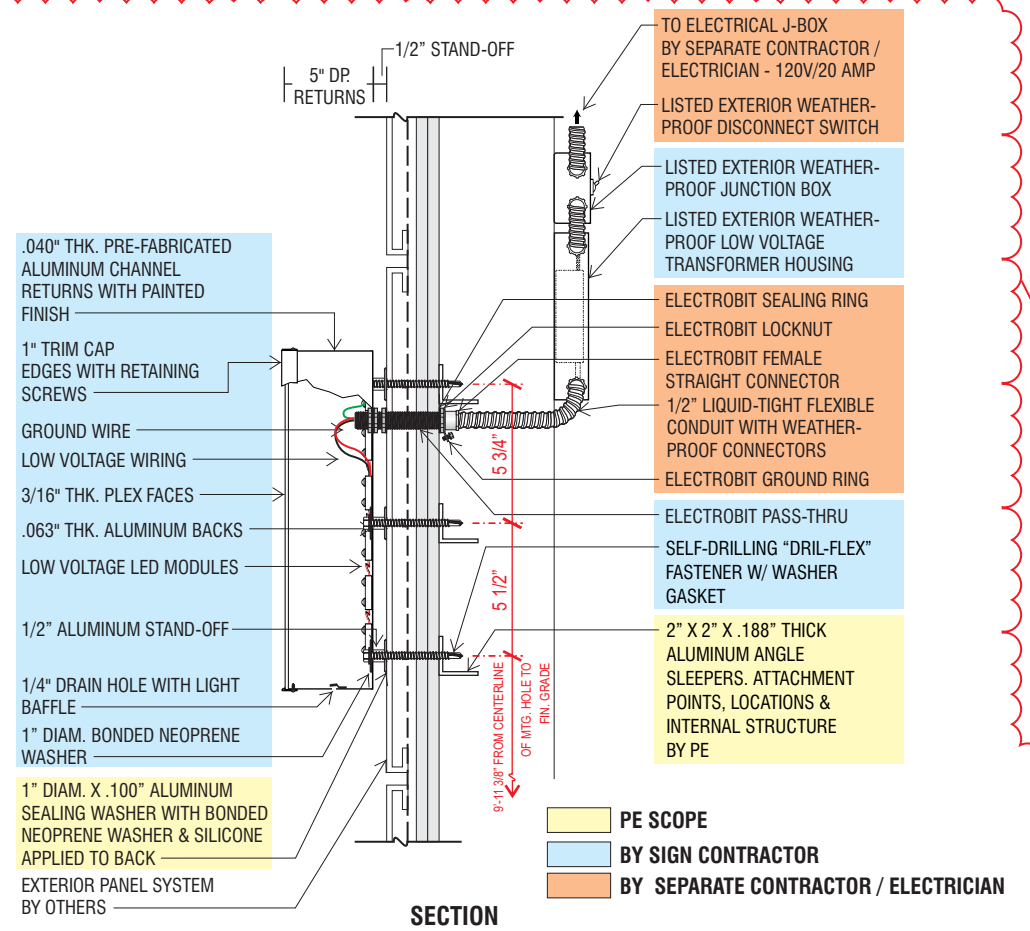
24.1 (N) FACE ILLUMINATED CHANNEL LETTERS - CL-14
 SCALE: 3/4" = 1'-0"
 SQ. FT. = 14 QTY: 1

DISCONNECT SWITCH (COMPLIANCE)
 LOCATED ON WALL WITHIN
 LINE OF SIGHT OF SIGN.
 (SEE SWITCH DETAIL)



ELECTRICAL INFORMATION:
 ILT-1X2-W LED MODULES
 36.96 WATTS
 1, ILT-CEN-60-12 POWER SUPPLY

35 (3/8" DIAM. MOUNTING HOLES) & 9 (3/4" DIAM. ELECTRICAL)
MOUNTING HOLES AND ELECTRICAL (TOP PENETRATIONS)
 SCALE: 3/4" = 1'-0"



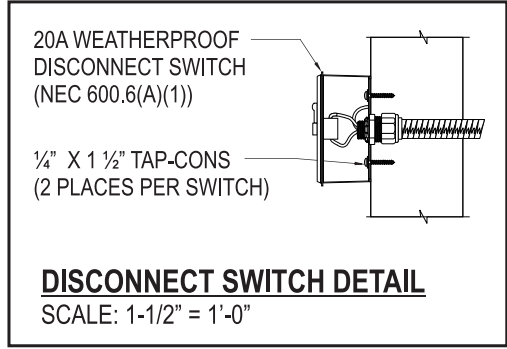
PLEX FACED CHANNEL LETTERS WITH LED ILLUMINATION

NOTE:
 THIS SIGN IS TO BE INSTALLED IN ACCORDANCE WITH THE REQUIREMENTS OF ARTICLE 600 OF THE NATIONAL ELECTRICAL CODE AND/OR OTHER APPLICABLE LOCAL CODES. THIS INCLUDES PROPER GROUNDING AND BONDING OF THE SIGN.

NOTE:
 120V/20 AMP CIRCUITS TO BE PROVIDED
 BY SEPARATE CONTRACTOR / ELECTRICIAN

ESTIMATED SIGN WEIGHT
 2.1 lbs. PER LETTER

GENERAL NOTES:
 -U.L. LISTED - FILE NUMBER E162744
 -ALL ELECTRICAL WORK SHALL BE PERFORMED IN ACCORDANCE WITH "NEC" REF. SECTION 600
 -ALL ELECTRICAL SIGN SECTIONS TO HAVE U.L. LABEL IN ACCORDANCE WITH "NEC" 600.3 AND MANUFACTURERS LABEL LOCATED NEXT TO DISCONNECT SWITCH
 -ALL NON-CURRENT CARRYING METAL PARTS OF SIGN SHALL BE GROUND & BONDED IN ACCORDANCE WITH "NEC" 250
 -ALL WIRING CONTAINED IN ENCLOSED AREAS WITH LAMPS SHALL BE FIXTURE RATED
 -SPlicing OF CONDUCTORS SHALL BE MADE IN JUNCTION BOXES OR SIMILAR METAL ENCLOSURES
 -AT THE POINT THAT ELECTRICAL CABLE PASSES THRU THE SIGN BOX, IT SHALL PASS THRU A U.L. LISTED RUBBER GROMMET



SEPARATE CONTRACTOR NOTE

SEPARATE CONTRACTOR TO CONFIRM ACCESS FOR SIGN INSTALLATION & ON-GOING MAINTENANCE.

1 UPDATED 2013 ADDED MOUNTING POINTS & ELECTRICAL INFORMATION

1 UPDATED 2013 REVISED SECTION DETAIL

CLIENT INFORMATION:
Rideout Regional Medical Center
 726 4th Street
 Marysville, CA 95901



APPROVALS:
 IG ACCOUNT MANAGER _____
 IG PRODUCTION MANAGER _____
 CLIENT APPROVAL _____

SALES REP:
Rebecca Redmon
 DESIGNER:
R.Germar

REVISION DATES:
12 10-07-2013 RLG
13 10-15-2013 RLG
14 12-03-2013 RLG
15 12-10-2013 RLG
16 12-30-2013 RLG

VOLTAGE: 120V
 240V

THIS ORIGINAL UNPUBLISHED DESIGN IS THE SOLE PROPERTY OF IMAGE GROUP. IT CANNOT BE REPRODUCED, COPIED OR EXHIBITED IN WHOLE OR PART, WITHOUT FIRST OBTAINING WRITTEN CONSENT FROM IMAGE GROUP. COLORS REPRESENTED IN THIS DRAWING ARE FOR PRESENTATION PURPOSES ONLY. THEY MAY NOT MATCH YOUR FINISHED PRODUCT PERFECTLY. COLOR CALL-OUTS ARE FOR REFERENCE PURPOSES ONLY.

PRIMARY ELECTRICAL TO SIGN LOCATIONS IS TO BE PROVIDED BY OTHERS. 20 AMP DEDICATED CIRCUIT(S) WITH NO SHARED NEUTRALS AND A GROUND RETURNING TO THE PANEL IS REQUIRED FOR ALL INSTALLATIONS. THIS SIGN IS INTENDED TO BE INSTALLED IN ACCORDANCE WITH THE REQUIREMENTS OF ARTICLE 600 OF THE NATIONAL ELECTRICAL CODE AND/OR OTHER APPLICABLE LOCAL CODES. THIS INCLUDES PROPER GROUNDING AND BONDING OF THE SIGN.

DATE
01-30-2013
 DESIGN NO:
Rideout Master Sign Program
 PROJECT LOCATION:
Marysville, CA

SIGN TYPE:
Sign Type N Building Sign Construction Details

THIS PAGE RESERVED FOR ENGINEERING



SEATTLE • SAN DIEGO

MAIN OFFICE
380 STEVENS AVENUE #307
SOLANA BEACH, CA 92075

PHONE: 858.345.1542
FAX: 858.408.3203

CLIENT INFORMATION:
**Rideout Regional
Medical Center**
726 4th Street
Marysville, CA 95901



APPROVALS:
IG ACCOUNT MANAGER _____
IG PRODUCTION MANAGER _____
CLIENT APPROVAL _____

SALES REP:
Rebecca Redmon
DESIGNER:
R.Germar

REVISION DATES:
12 10-07-2013 RLG
13 10-15-2013 RLG
14 12-03-2013 RLG
15 12-10-2013 RLG
16 12-30-2013 RLG

VOLTAGE: **120V**
 240V

THIS ORIGINAL UNPUBLISHED DESIGN IS THE SOLE PROPERTY OF IMAGE GROUP. IT CANNOT BE REPRODUCED, COPIED OR EXHIBITED IN WHOLE OR PART, WITHOUT FIRST OBTAINING WRITTEN CONSENT FROM IMAGE GROUP. COLORS REPRESENTED IN THIS DRAWING ARE FOR PRESENTATION PURPOSES ONLY. THEY MAY NOT MATCH YOUR FINISHED PRODUCT PERFECTLY. COLOR CALL-OUTS ARE FOR REFERENCE PURPOSES ONLY.

PRIMARY ELECTRICAL TO SIGN LOCATIONS IS TO BE PROVIDED BY OTHERS. 20 AMP DEDICATED CIRCUIT(S) WITH NO SHARED NEUTRALS AND A GROUND RETURNING TO THE PANEL IS REQUIRED FOR ALL INSTALLATIONS. THIS SIGN IS INTENDED TO BE INSTALLED IN ACCORDANCE WITH THE REQUIREMENTS OF ARTICLE 600 OF THE NATIONAL ELECTRICAL CODE AND/OR OTHER APPLICABLE LOCAL CODES. THIS INCLUDES PROPER GROUNDING AND BONDING OF THE SIGN.

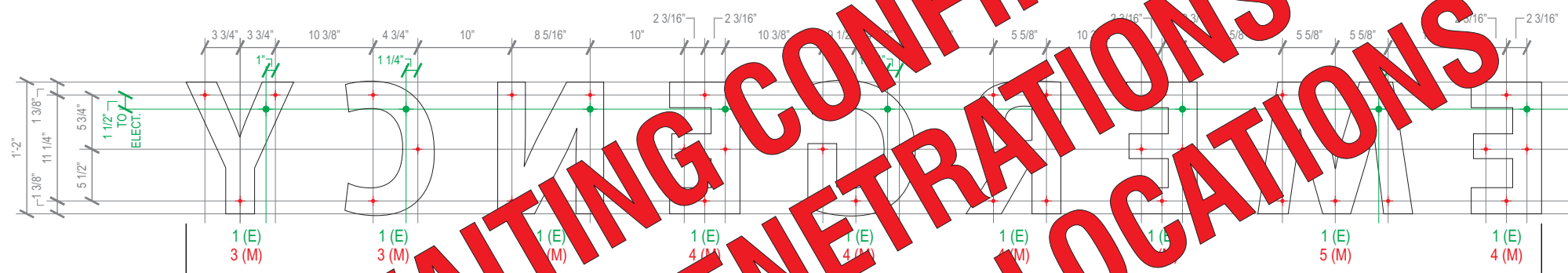
DATE
01-30-2013
DESIGN NO:
Rideout Master Sign Program
PROJECT LOCATION:
Marysville, CA
SIGN TYPE:
Sign Type N
Channel Letter
Engineering

ELECTRICAL INFORMATION:
 ILT-1X2-W LED MODULES
 36.96 WATTS
 1, ILT-CEN-60-12 POWER SUPPLY

THIS ORIGINAL UNPUBLISHED DESIGN IS THE SOLE PROPERTY OF IMAGE GROUP. IT CANNOT BE REPRODUCED, COPIED OR EXHIBITED IN WHOLE OR PART, WITHOUT FIRST OBTAINING WRITTEN CONSENT FROM IMAGE GROUP. COLORS REPRESENTED IN THIS DRAWING ARE FOR PRESENTATION PURPOSES ONLY. THEY MAY NOT MATCH YOUR FINISHED PRODUCT PERFECTLY. COLOR CALL-OUTS ARE FOR REFERENCE PURPOSES ONLY.

PRIMARY ELECTRICAL TO SIGN LOCATIONS IS TO BE PROVIDED BY OTHERS. 20 AMP DEDICATED CIRCUIT(S) WITH NO SHARED NEUTRALS AND A GROUND RETURNING TO THE PANEL IS REQUIRED FOR ALL INSTALLATIONS. THIS SIGN IS INTENDED TO BE INSTALLED IN ACCORDANCE WITH THE REQUIREMENTS OF ARTICLE 600 OF THE NATIONAL ELECTRICAL CODE AND/OR OTHER APPLICABLE LOCAL CODES. THIS INCLUDES PROPER GROUNDING AND BONDING OF THE SIGN.

DATE
01-30-2013
 DESIGN NO:
Rideout Master Sign Program
 PROJECT LOCATION:
Marysville, CA
 SIGN TYPE:
**Sign Type N
 Junction Box
 Locations**

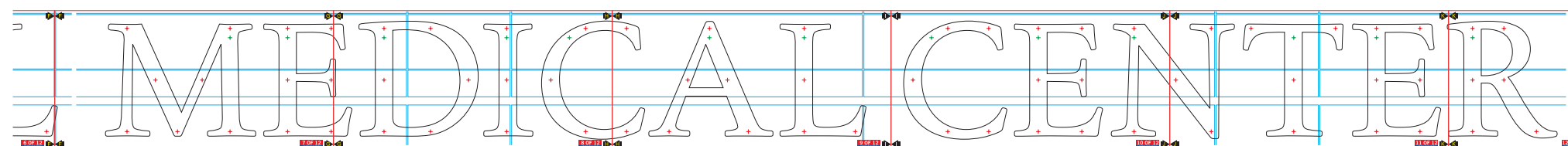
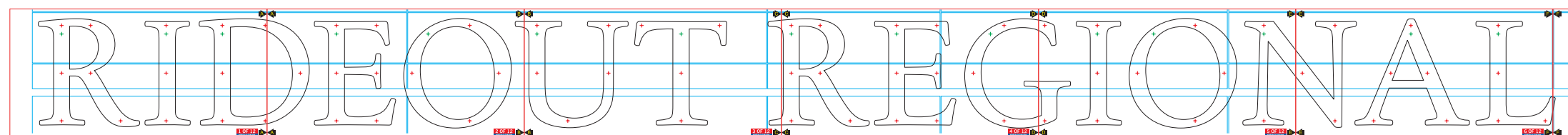


**AWAITING CONFIRMATION
 FOR PENETRATIONS &
 ELECTRICAL LOCATIONS
 09.24.13**

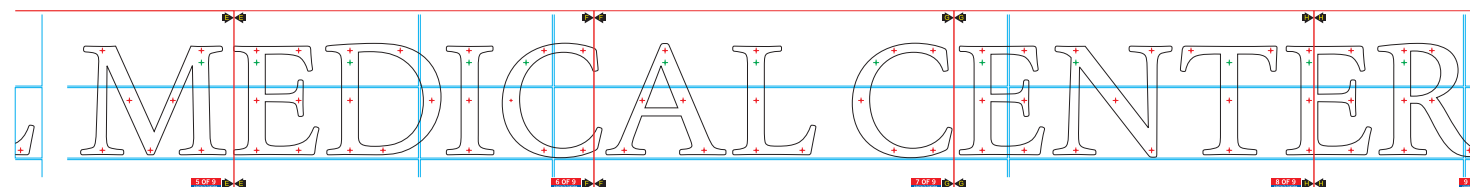
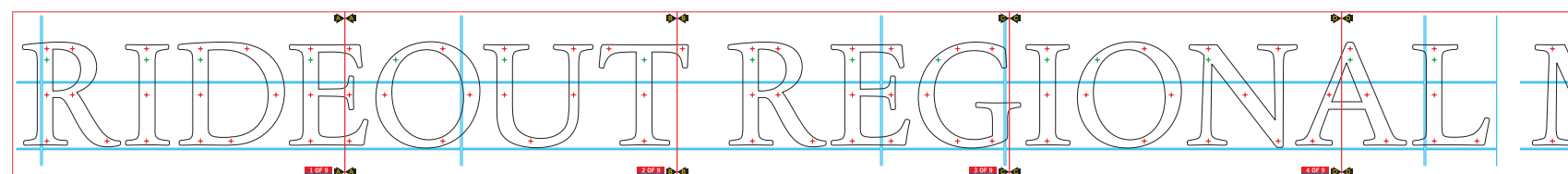
MOUNTING HOLES AND ELECTRICAL TOP PENETRATIONS
 SCALE: 3/8" = 1'-0"

THIS ORIGINAL UNPUBLISHED DESIGN IS THE SOLE PROPERTY OF IMAGE GROUP. IT CANNOT BE REPRODUCED, COPIED OR EXHIBITED IN WHOLE OR PART, WITHOUT FIRST OBTAINING WRITTEN CONSENT FROM IMAGE GROUP. COLORS REPRESENTED IN THIS DRAWING ARE FOR PRESENTATION PURPOSES ONLY. THEY MAY NOT MATCH YOUR FINISHED PRODUCT PERFECTLY. COLOR CALL-OUTS ARE FOR REFERENCE PURPOSES ONLY.

PRIMARY ELECTRICAL TO SIGN LOCATIONS IS TO BE PROVIDED BY OTHERS. 20 AMP DEDICATED CIRCUIT(S) WITH NO SHARED NEUTRALS AND A GROUND RETURNING TO THE PANEL IS REQUIRED FOR ALL INSTALLATIONS. THIS SIGN IS INTENDED TO BE INSTALLED IN ACCORDANCE WITH THE REQUIREMENTS OF ARTICLE 600 OF THE NATIONAL ELECTRICAL CODE AND/OR OTHER APPLICABLE LOCAL CODES. THIS INCLUDES PROPER GROUNDING AND BONDING OF THE SIGN.



19.1 NORTH ELEVATION SIGNAGE PATTERN (11.5 SHEETS)
SCALE: 3/16" = 1'-0"

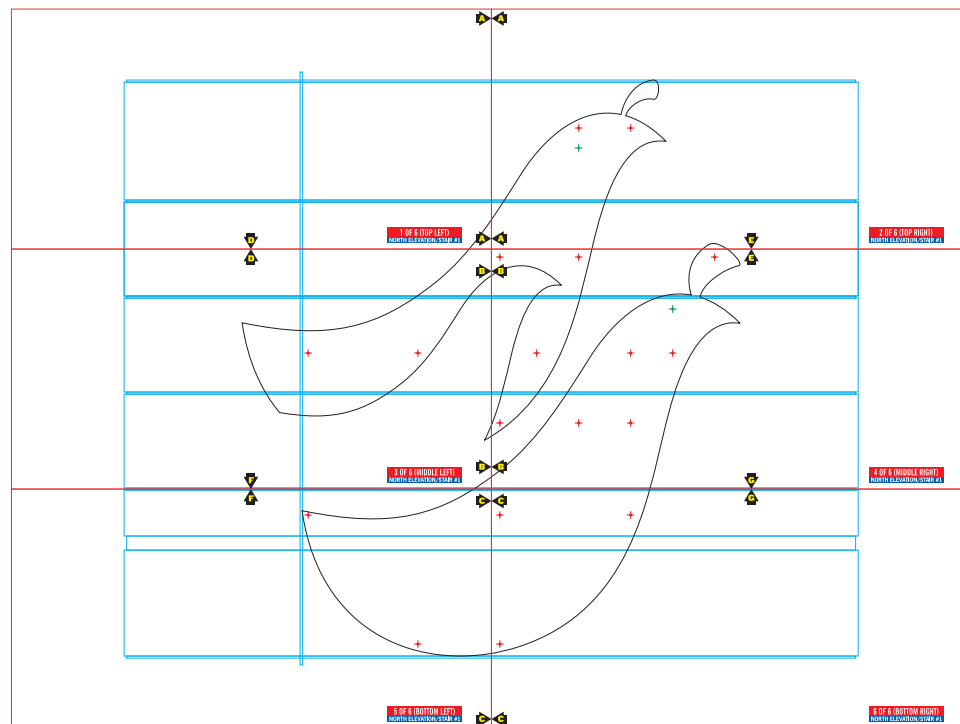


22.1 SOUTH ELEVATION SIGNAGE PATTERN (8.5 SHEETS)
SCALE: 3/16" = 1'-0"

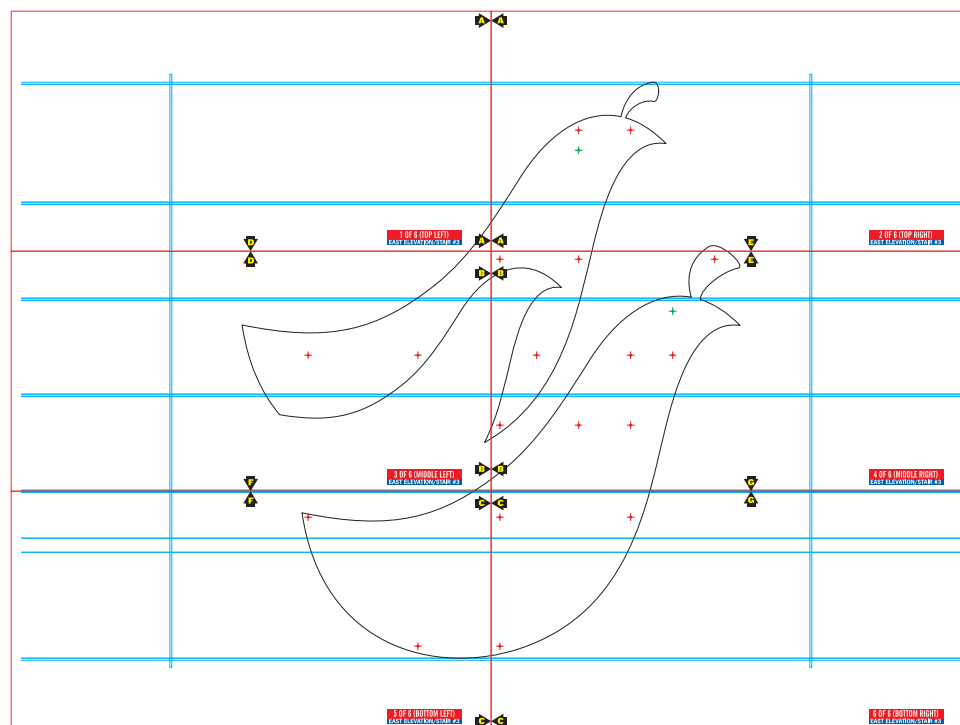
NOTE:
LAYOUTS AS PROVIDED ON
HARD TEMPLATES PRIOR TO
PE REQUESTED MODIFICATIONS.

UPDATED 2013
ADDED PATTERNS

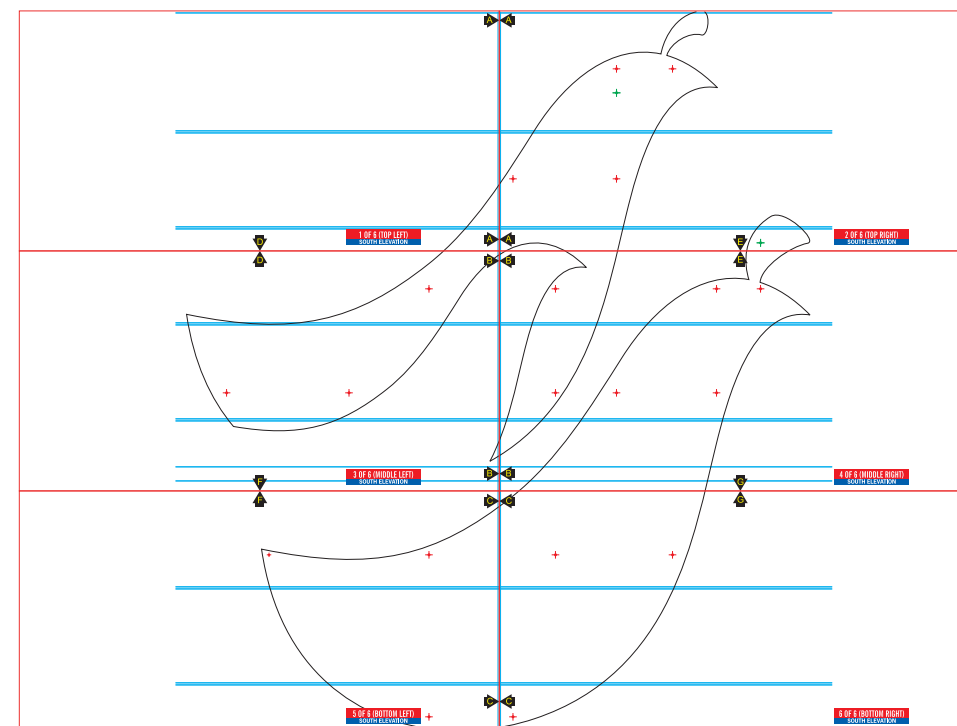
UPDATED 2013
 ADDED PATTERNS **1**



20.1 NORTH ELEVATION SIGNAGE PATTERN (6 SHEETS)
 SCALE: 1/4" = 1'-0"



20.2 EAST ELEVATION SIGNAGE PATTERN (6 SHEETS)
 SCALE: 1/4" = 1'-0"



23.1 SOUTH ELEVATION SIGNAGE PATTERN (6 SHEETS)
 SCALE: 1/4" = 1'-0"

NOTE:
 LAYOUTS AS PROVIDED ON
 HARD TEMPLATES PRIOR TO
 PE REQUESTED MODIFICATIONS.

CLIENT INFORMATION:

Rideout Regional Medical Center
 726 4th Street
 Marysville, CA 95901



APPROVALS:

IG ACCOUNT MANAGER _____
 IG PRODUCTION MANAGER _____
 CLIENT APPROVAL _____

SALES REP:

Rebecca Redmon

DESIGNER:

R.Germar

REVISION DATES:

- 12 **10-07-2013 RLG**
- 13 **10-15-2013 RLG**
- 14 **12-03-2013 RLG**
- 15 **12-10-2013 RLG**
- 16 **12-30-2013 RLG**

VOLTAGE: 120V
 240V

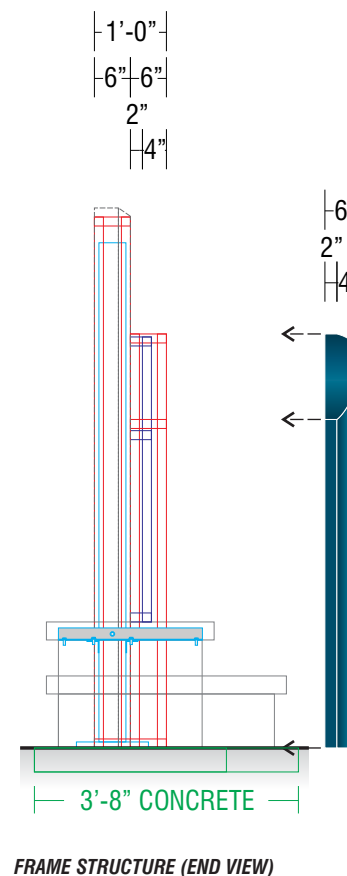
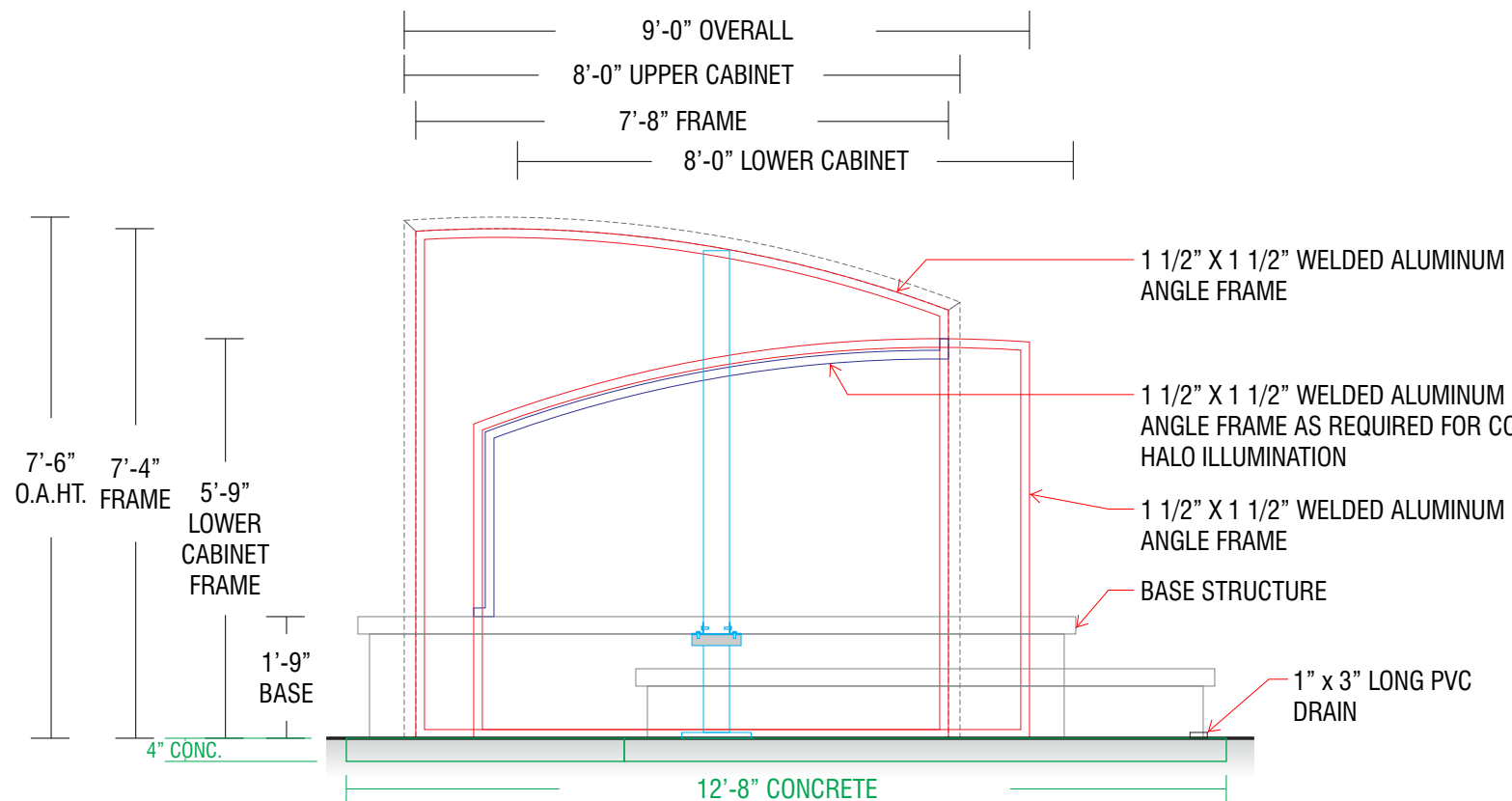
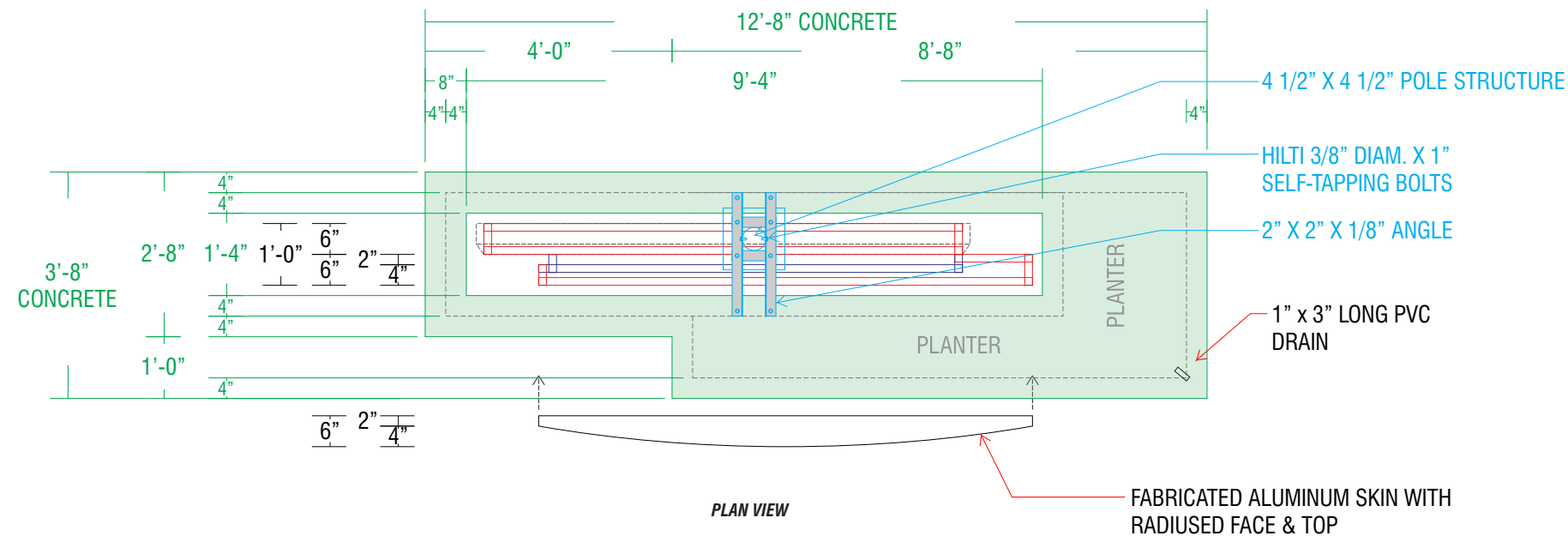
THIS ORIGINAL UNPUBLISHED DESIGN IS THE SOLE PROPERTY OF IMAGE GROUP. IT CANNOT BE REPRODUCED, COPIED OR EXHIBITED IN WHOLE OR PART, WITHOUT FIRST OBTAINING WRITTEN CONSENT FROM IMAGE GROUP. COLORS REPRESENTED IN THIS DRAWING ARE FOR PRESENTATION PURPOSES ONLY. THEY MAY NOT MATCH YOUR FINISHED PRODUCT PERFECTLY. COLOR CALL-OUTS ARE FOR REFERENCE PURPOSES ONLY.

PRIMARY ELECTRICAL TO SIGN LOCATIONS IS TO BE PROVIDED BY OTHERS. 20 AMP DEDICATED CIRCUIT(S) WITH NO SHARED NEUTRALS AND A GROUND RETURNING TO THE PANEL IS REQUIRED FOR ALL INSTALLATIONS. THIS SIGN IS INTENDED TO BE INSTALLED IN ACCORDANCE WITH THE REQUIREMENTS OF ARTICLE 600 OF THE NATIONAL ELECTRICAL CODE AND/OR OTHER APPLICABLE LOCAL CODES. THIS INCLUDES PROPER GROUNDING AND BONDING OF THE SIGN.

DATE: **01-30-2013**

DESIGN NO:
Rideout Master Sign Program
 PROJECT LOCATION:
Marysville, CA

SIGN TYPE:
Sign Type A Monument Sign Framing Details



1 UPDATED 2013
 ADDED FRAMING
 DETAILS

SIGN TYPE "A" FRAME STRUCTURE

SCALE: 3/8" = 1'-0"

Y.J. INC.

25379 Wayne Mills Pl # 272
Valencia, CA 91355

Sign Design Based on 2007 CBC

DATE 5/16/2013
TEL: (661) 259-0700
FAX: (661) 259-0900

Job # JTS_30613
Project Rideout Regional Medical Center - Sign A
Job Location 726 4th Street
Marysville, CA.

INPUT DATA

Exposure category (B, C or D)	=	C
Importance factor, pg 77, (0.87, 1.0 or 1.15)	I	= 1.15 Category III or IV
Basic wind speed (3 sec. gust wind)	V	= 90 mph
Topographic factor (Sec.6.5.7.2, pg 26 & 45)	K _{zt}	= 1 Flat
Height to Top	h	= 7.5 ft
Vertical dimension (for wall, s = h)	s	= 5.204 ft
Horizontal dimension	B	= 12.33 ft
Dimension of return corner	L _r	= 1.33 ft
Moment Arm	A	= 4.125 ft

DESIGN SUMMARY

Max horizontal wind pressure	p	=	23 psf
Max total horizontal force at centroid of base	F	=	1.476 kips
Max bending moment at centroid of base	M	=	6.088 kip-ft

ANALYSIS
Velocity pressure
 $q_h = 0.00256 K_h K_{zt} K_d V^2 I = 17.23 \text{ psf}$
where:
q_h = velocity pressure at mean roof height, h. (Eq. 6-15, page 27)
K_h = velocity pressure exposure coefficient = 0.85
evaluated at height, h, (Tab. 6-3, Case 1, pg 79)
K_{zt} = wind directionality factor. (Tab. 6-4, for building, page 80) = 0.85
h = height of top = 7.50 ft

Wind Force Case A: resultant force through the geometric center (Sec. 6.5.14 & Fig. 6-20)
p = q_h G C_f = 23 psf
F = p A_s = 1.48 kips
M = F (h - 0.5s) for sign, F (0.55h) for wall = 6.09 kip-ft
where: G = gust effect factor. (Sec. 6.5.8, page 26) = 0.85
C_f = net force coefficient. (Fig. 6-20, page 73) = 1.60
A_s = B s = 64.17 ft²

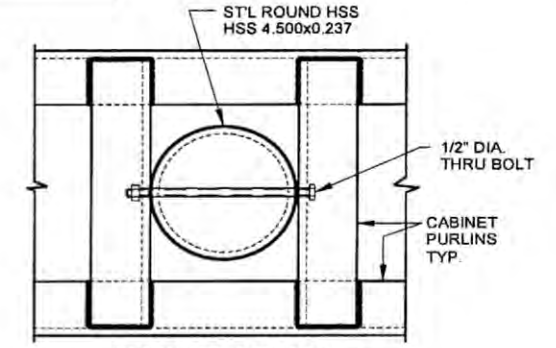
Footing Design (Nonconstrained)
Diameter = 2.00 FT
Soil Pressure = 100.00 PSF/FT
S₁ = 440.00 PSF
A = 3.92 FT
EMBED. = 6.60 FT

24 in. Dia. Depth = 6'-8"

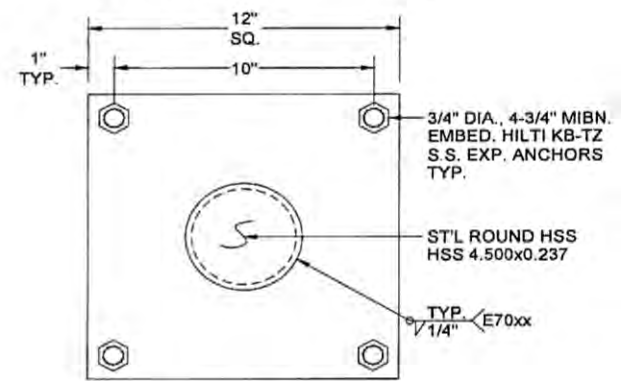
Pole Design St'l. Round HSS
Sec. Mod. Req'd. USE A500 Grade B
S = 2.90 HSS 4.500x0.237 S=3.02

Base Plate St'l. Plate
Thickness Req'd. USE A36
Thick = 0.66 PL 12"x12"x3/4" t=0.75

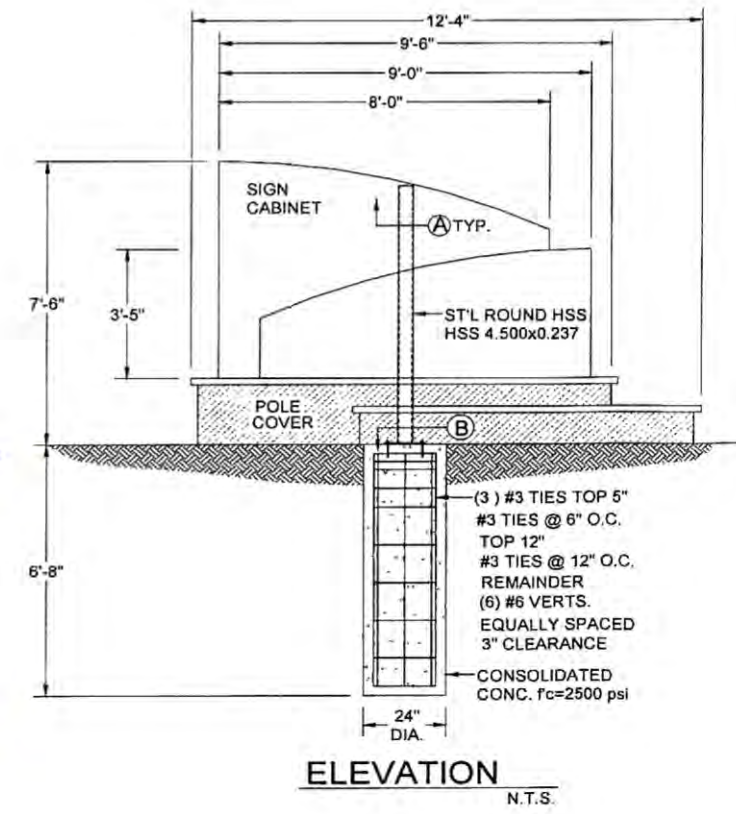
Anchor Design Hilti KB-TZ Stainless Exp. Anchors
Tension Req'd. USE ICC-ESR#1917
T = 3653 3/4" Dia., 4-3/4" Min. Embed. T=3,967



A CONNECTION
(2 PLACES) NTS



B BASE PLATE
t=3/4" N.T.S.



ELEVATION
N.T.S.

UPDATED 2013
ADDED ENGINEERING



1.1 SIGN TYPE "A" MONUMENT SIGN - M-52-SF



imageGROUP
ENVIRONMENTAL GROUPS • SURVEY • WATERWORKS • CORPORATE BRANDING
SEATTLE • SAN DIEGO
MAIN OFFICE
380 STEVENS AVENUE #307
SOLANA BEACH, CA 92075
PHONE: 858.345.1542
FAX: 858.408.3203

CLIENT INFORMATION:
Rideout Regional Medical Center
726 4th Street
Marysville, CA 95901



APPROVALS:
IG ACCOUNT MANAGER _____
IG PRODUCTION MANAGER _____
CLIENT APPROVAL _____

SALES REP:
Rebecca Redmon
DESIGNER:
R.Germar

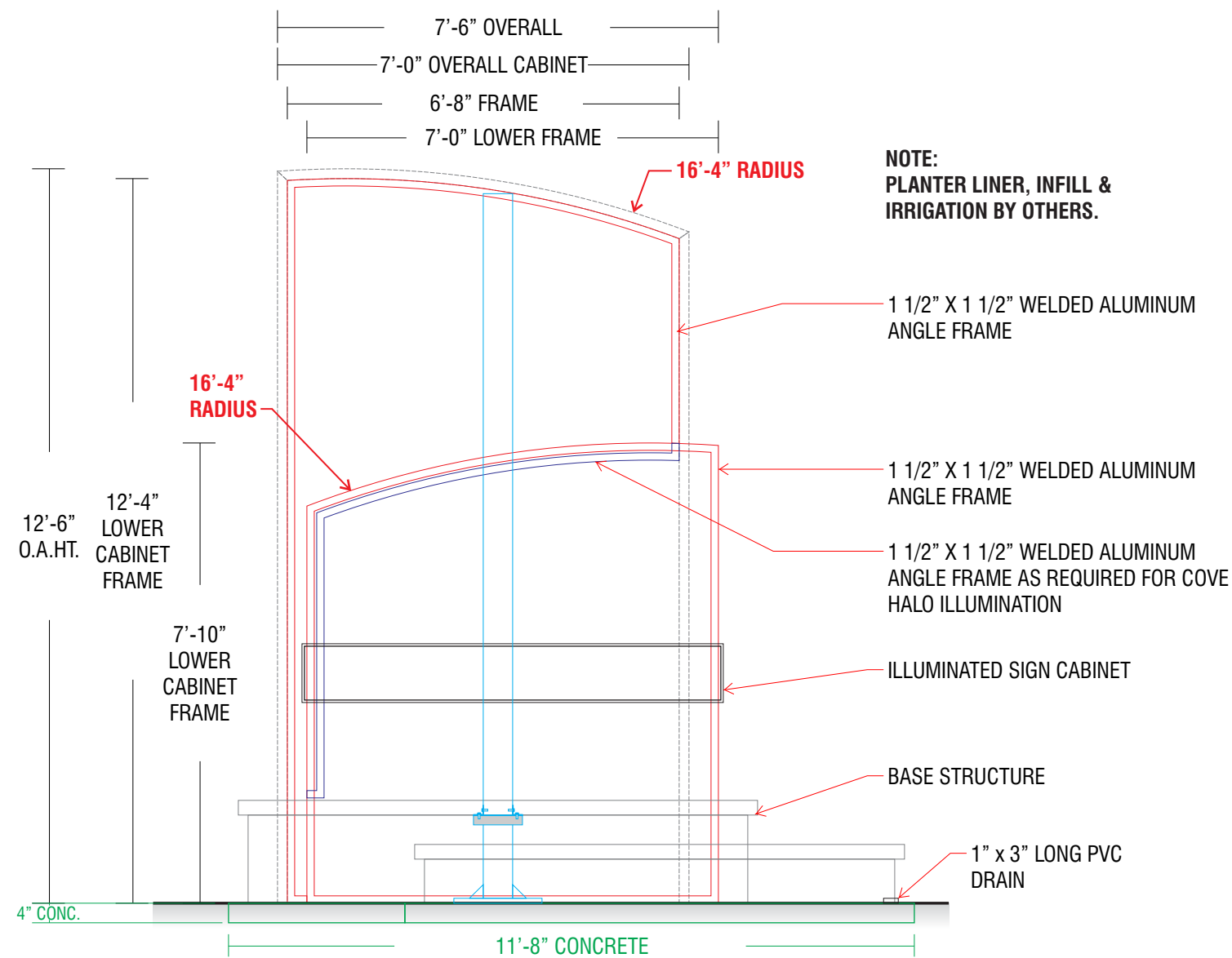
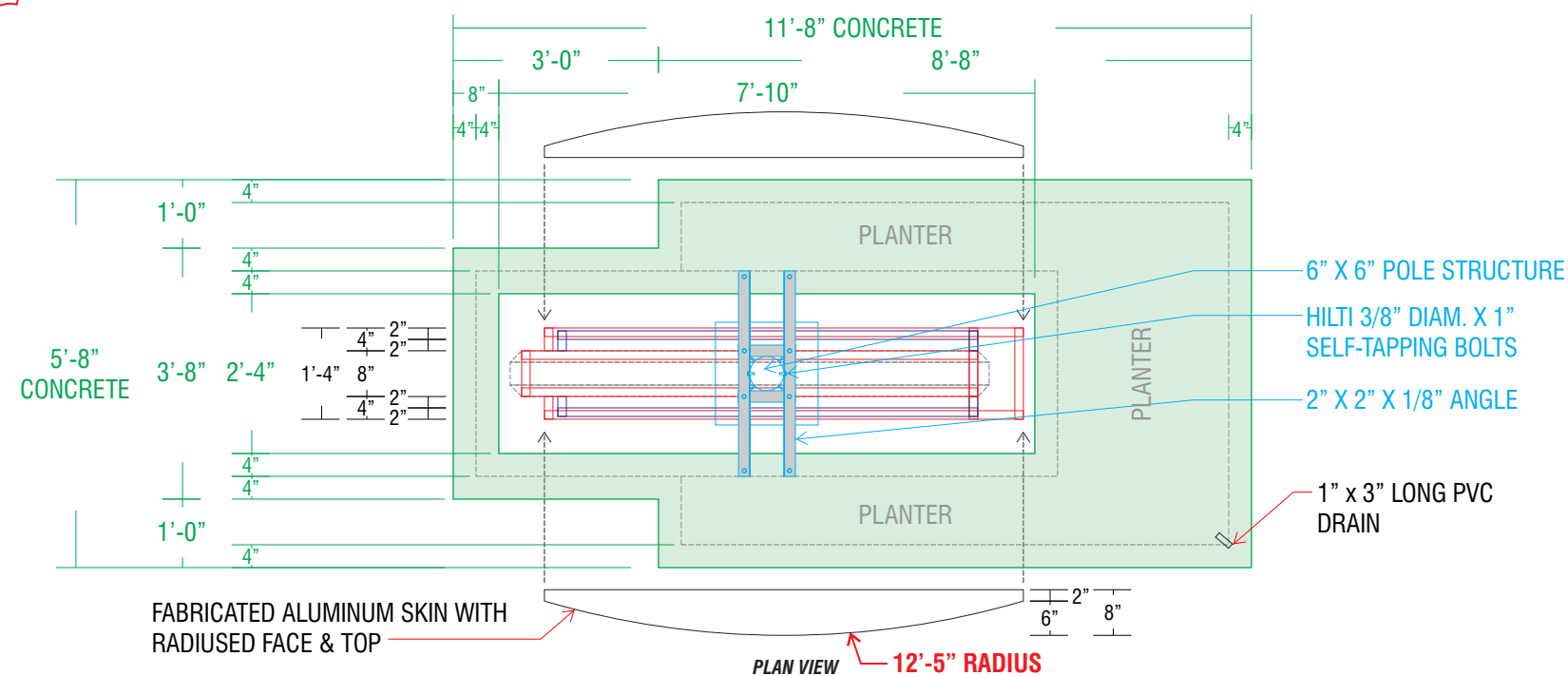
- REVISION DATES:
- 12 10-07-2013 RLG
 - 13 10-15-2013 RLG
 - 14 12-03-2013 RLG
 - 15 12-10-2013 RLG
 - 16 12-30-2013 RLG

VOLTAGE: 120V
240V

THIS ORIGINAL UNPUBLISHED DESIGN IS THE SOLE PROPERTY OF IMAGE GROUP. IT CANNOT BE REPRODUCED, COPIED OR EXHIBITED IN WHOLE OR PART, WITHOUT FIRST OBTAINING WRITTEN CONSENT FROM IMAGE GROUP. COLORS REPRESENTED IN THIS DRAWING ARE FOR PRESENTATION PURPOSES ONLY. THEY MAY NOT MATCH YOUR FINISHED PRODUCT PERFECTLY. COLOR CALL-OUTS ARE FOR REFERENCE PURPOSES ONLY.

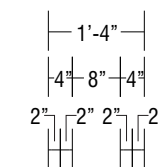
PRIMARY ELECTRICAL TO SIGN LOCATIONS IS TO BE PROVIDED BY OTHERS. 20 AMP DEDICATED CIRCUIT(S) WITH NO SHARED NEUTRALS AND A GROUND RETURNING TO THE PANEL IS REQUIRED FOR ALL INSTALLATIONS. THIS SIGN IS INTENDED TO BE INSTALLED IN ACCORDANCE WITH THE REQUIREMENTS OF ARTICLE 600 OF THE NATIONAL ELECTRICAL CODE AND/OR OTHER APPLICABLE LOCAL CODES. THIS INCLUDES PROPER GROUNDING AND BONDING OF THE SIGN.

DATE
01-30-2013
DESIGN NO:
Rideout Master Sign Program
PROJECT LOCATION:
Marysville, CA
SIGN TYPE:
Sign Type A Monument Sign Engineering

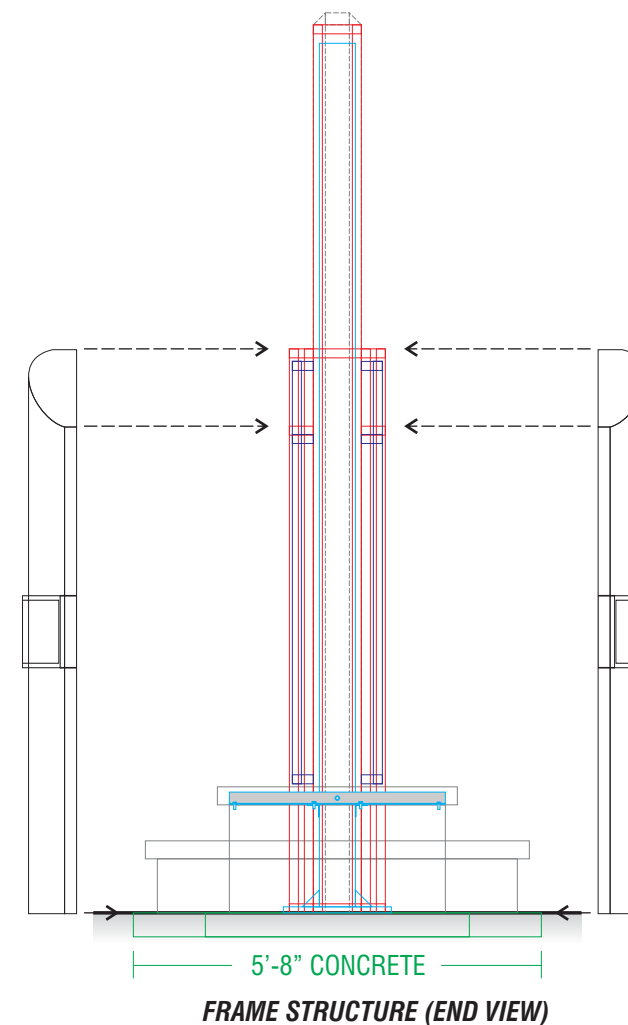


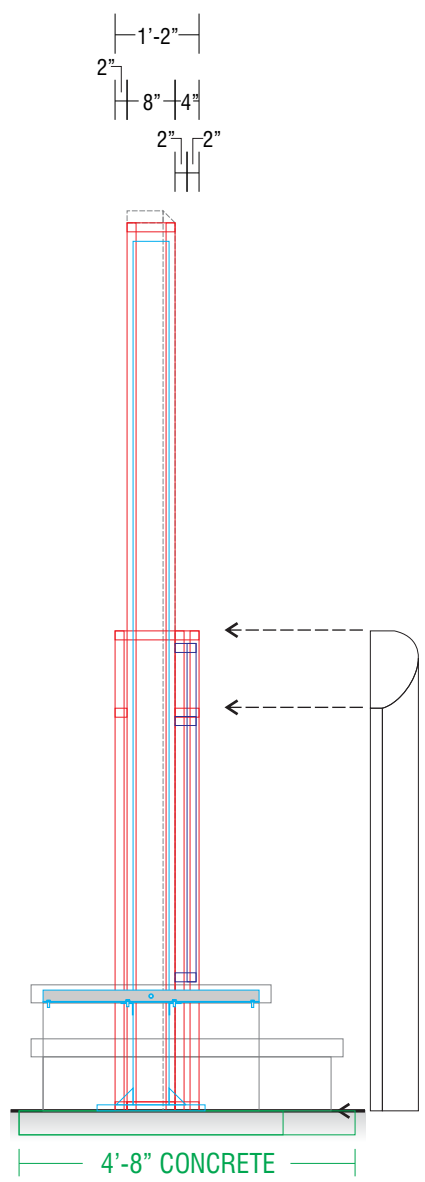
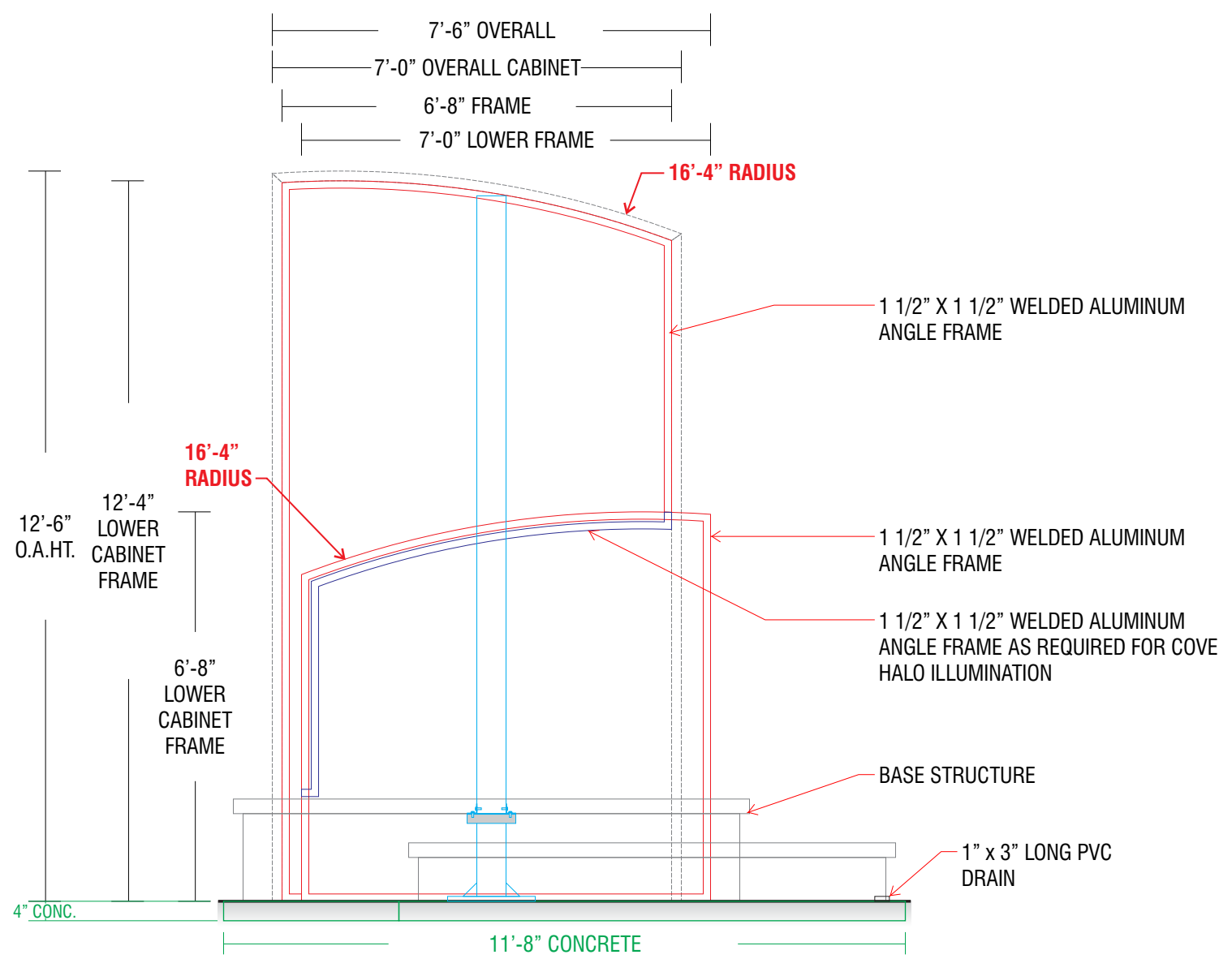
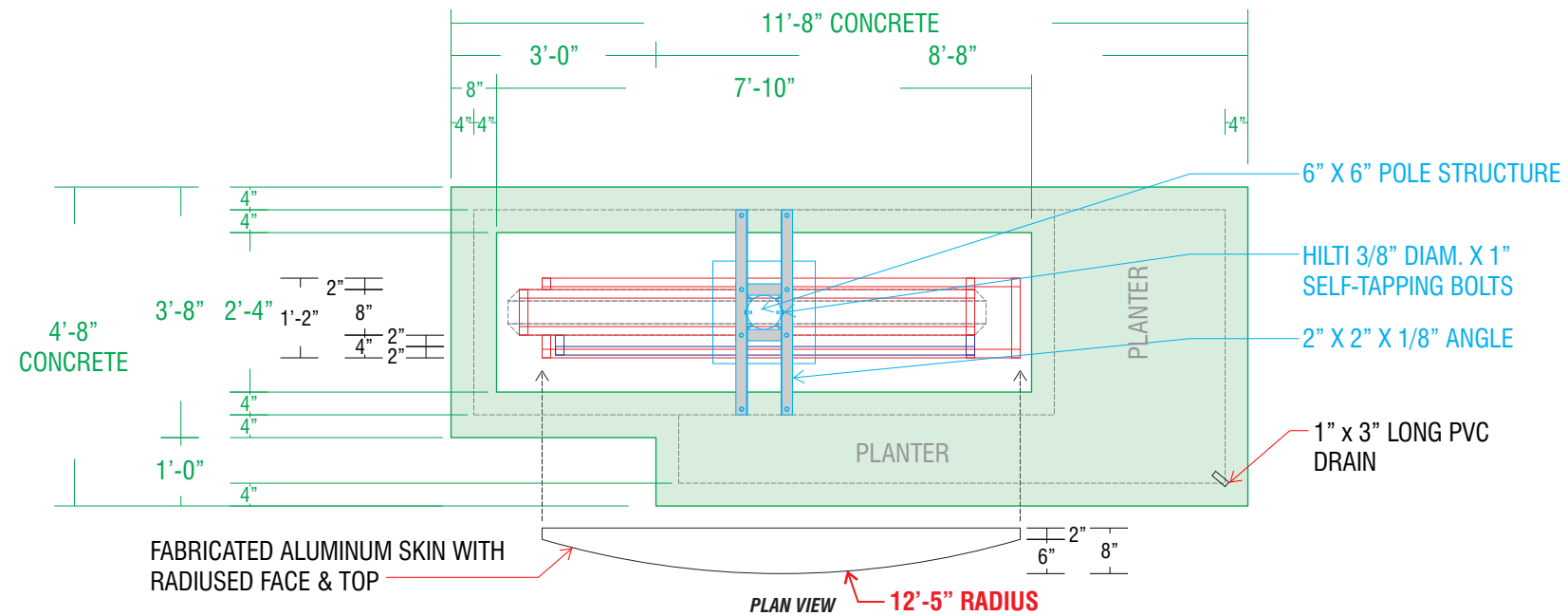
SIGN TYPE "B.1" FRAME STRUCTURE

SCALE: 3/8" = 1'-0"



1 UPDATED 2013
ADDED FRAMING
DETAILS





1 UPDATED 2013 ADDED FRAMING DETAILS

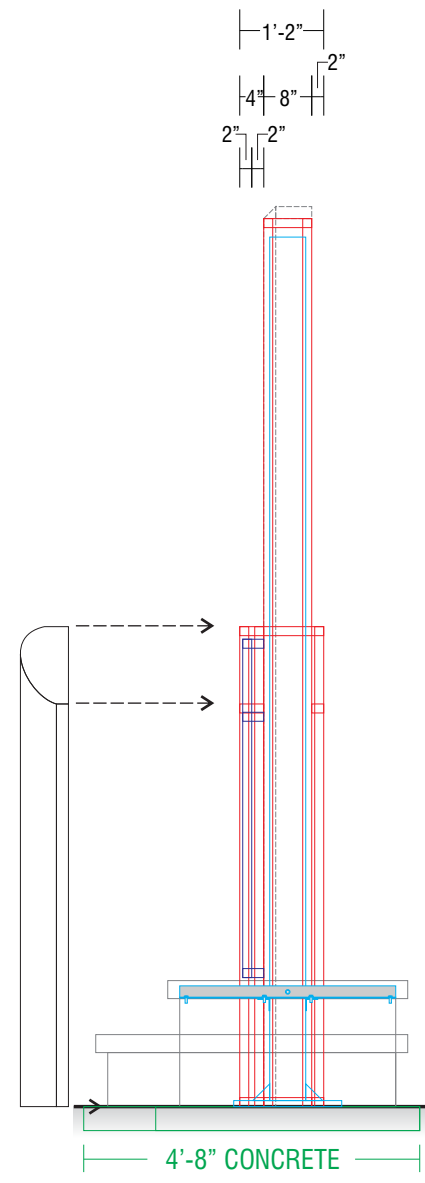
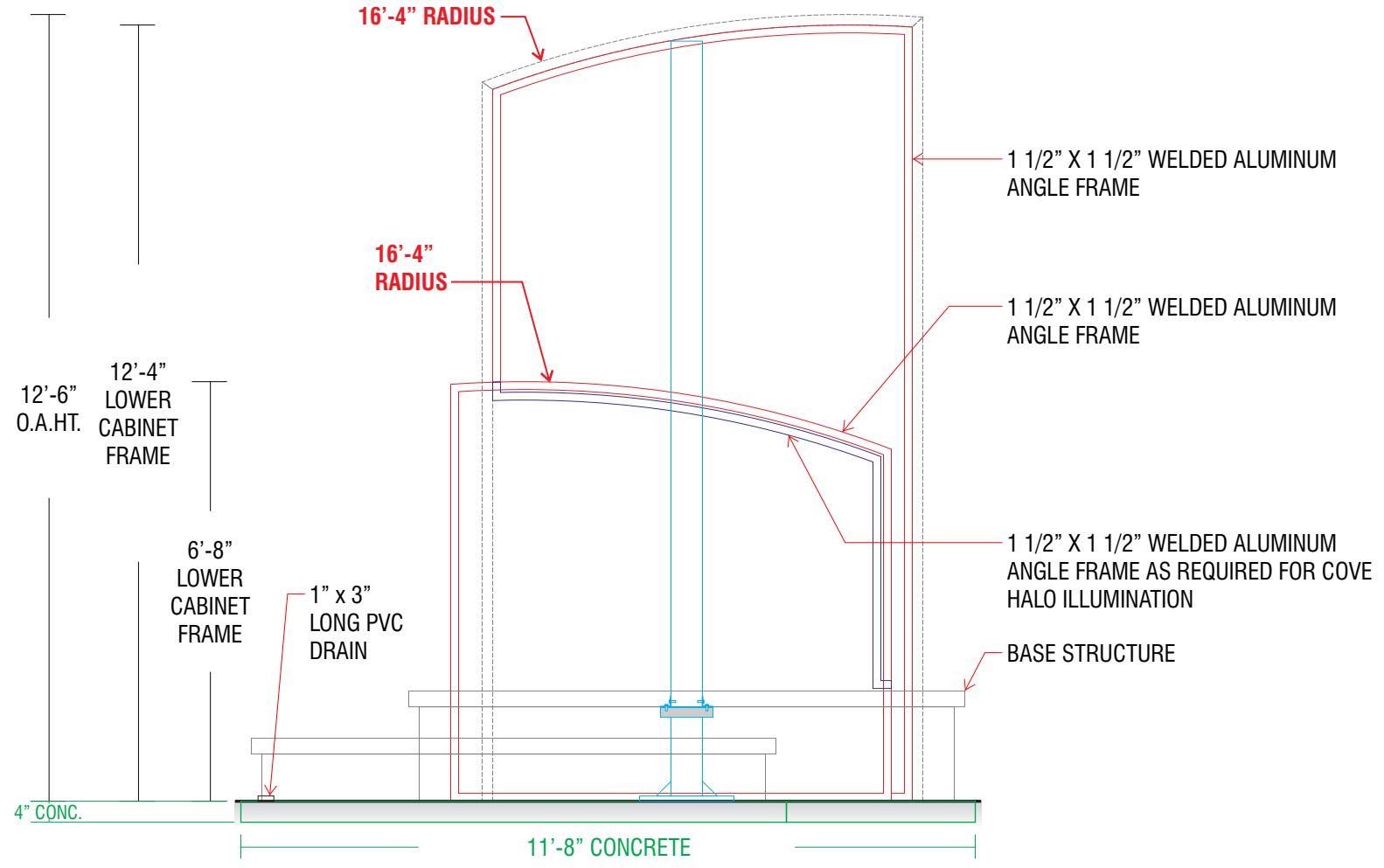
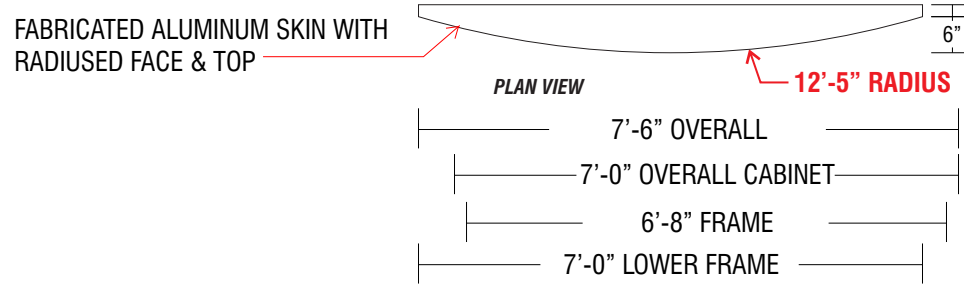
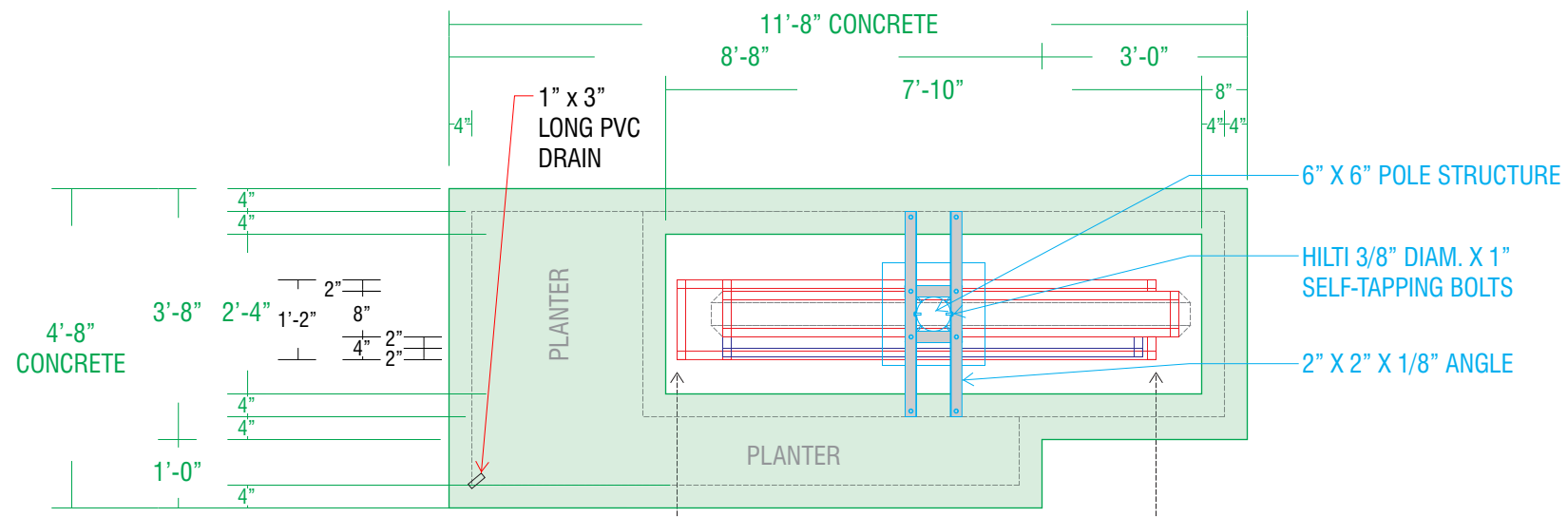
SIGN TYPE "B.2.1" FRAME STRUCTURE

SCALE: 3/8" = 1'-0"

FRAME STRUCTURE (END VIEW)

THIS ORIGINAL UNPUBLISHED DESIGN IS THE SOLE PROPERTY OF IMAGE GROUP. IT CANNOT BE REPRODUCED, COPIED OR EXHIBITED IN WHOLE OR PART, WITHOUT FIRST OBTAINING WRITTEN CONSENT FROM IMAGE GROUP. COLORS REPRESENTED IN THIS DRAWING ARE FOR PRESENTATION PURPOSES ONLY. THEY MAY NOT MATCH YOUR FINISHED PRODUCT PERFECTLY. COLOR CALL-OUTS ARE FOR REFERENCE PURPOSES ONLY.

PRIMARY ELECTRICAL TO SIGN LOCATIONS IS TO BE PROVIDED BY OTHERS. 20 AMP DEDICATED CIRCUIT(S) WITH NO SHARED NEUTRALS AND A GROUND RETURNING TO THE PANEL IS REQUIRED FOR ALL INSTALLATIONS. THIS SIGN IS INTENDED TO BE INSTALLED IN ACCORDANCE WITH THE REQUIREMENTS OF ARTICLE 600 OF THE NATIONAL ELECTRICAL CODE AND/OR OTHER APPLICABLE LOCAL CODES. THIS INCLUDES PROPER GROUNDING AND BONDING OF THE SIGN.



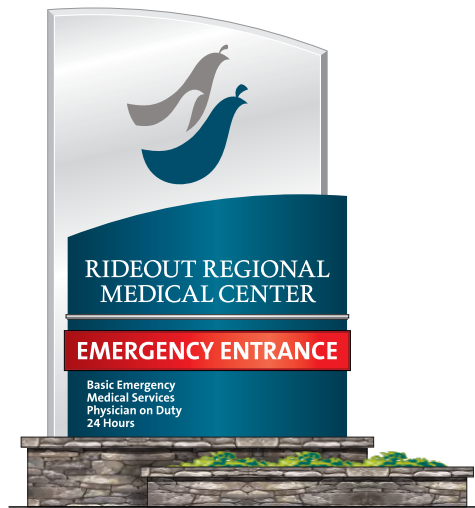
1 UPDATED 2013
ADDED FRAMING
DETAILS

SIGN TYPE "B.2.2" FRAME STRUCTURE SCALE: 3/8" = 1'-0"

FRAME STRUCTURE (END VIEW)

THIS ORIGINAL UNPUBLISHED DESIGN IS THE SOLE PROPERTY OF IMAGE GROUP. IT CANNOT BE REPRODUCED, COPIED OR EXHIBITED IN WHOLE OR PART, WITHOUT FIRST OBTAINING WRITTEN CONSENT FROM IMAGE GROUP. COLORS REPRESENTED IN THIS DRAWING ARE FOR PRESENTATION PURPOSES ONLY. THEY MAY NOT MATCH YOUR FINISHED PRODUCT PERFECTLY. COLOR CALL-OUTS ARE FOR REFERENCE PURPOSES ONLY.

PRIMARY ELECTRICAL TO SIGN LOCATIONS IS TO BE PROVIDED BY OTHERS. 20 AMP DEDICATED CIRCUIT(S) WITH NO SHARED NEUTRALS AND A GROUND RETURNING TO THE PANEL IS REQUIRED FOR ALL INSTALLATIONS. THIS SIGN IS INTENDED TO BE INSTALLED IN ACCORDANCE WITH THE REQUIREMENTS OF ARTICLE 600 OF THE NATIONAL ELECTRICAL CODE AND/OR OTHER APPLICABLE LOCAL CODES. THIS INCLUDES PROPER GROUNDING AND BONDING OF THE SIGN.



2.1 SIGN TYPE "B.1" MONUMENT SIGN - P-75-DF



3.1 SIGN TYPE "B.2.1" MONUMENT SIGN - P-75-SF



4.1 SIGN TYPE "B.2.2" MONUMENT SIGN - P-75-SF

UPDATED 2013
ADDED ENGINEERING 1

Y.J. INC.

25379 Wayne Mills Pl # 272
Valencia, CA 91355
Sign Design Based on 2007 CBC

DATE 5/17/2013
TEL: (661) 259-0700
FAX: (661) 259-0900

Job # JTS_30613
Project Rideout Regional Medical Center - Sign B.1
Job Location 726 4th Street
Marysville, CA.

INPUT DATA

Exposure category (B, C or D)	=	C
Importance factor, pg 77, (0.87, 1.0 or 1.15)	I	= 1.15 Category III or IV
Basic wind speed (3 sec. gust wind)	V	= 90 mph
Topographic factor (Sec.6.5.7.2, pg 26 & 45)	K _{zt}	= 1 Flat
Height to Top	h	= 12.5 ft
Vertical dimension (for wall, s = h)	s	= 8.357 ft
Horizontal dimension	B	= 11 ft
Dimension of return corner	L	= 0.67 ft
Moment Arm	A	= 6.88 ft

DESIGN SUMMARY

Max horizontal wind pressure	p	=	24 psf
Max total horizontal force at centroid of base	F	=	2.206 kips
Max bending moment at centroid of base	M	=	15.179 kip-ft

ANALYSIS

Velocity pressure
 $q_h = 0.00256 K_h K_{zt} K_d V^2 I = 17.23 \text{ psf}$
 where:
 q_h = velocity pressure at mean roof height, h. (Eq. 6-15, page 27)
 K_h = velocity pressure exposure coefficient = 0.85
 evaluated at height, h, (Tab. 6-3, Case 1, pg 79)
 K_d = wind directionality factor. (Tab. 6-4, for building, page 80) = 0.85
 h = height of top = 12.50 ft

Wind Force Case A: resultant force through the geometric center (Sec. 6.5.14 & Fig. 6-20)
 $p = q_h G C_f = 24 \text{ psf}$
 $F = p A_s = 2.21 \text{ kips}$
 $M = F (h - 0.5s) \text{ for sign, } F (0.55h) \text{ for wall} = 15.18 \text{ kip-ft}$
 where: G = gust effect factor. (Sec. 6.5.8, page 26) = 0.85
 C_f = net force coefficient. (Fig. 6-20, page 73) = 1.65
 $A_s = B s = 91.93 \text{ ft}^2$

Footing Design (Nonconstrained)

Diameter = 3.00 FT
 Soil Pressure = 100.00 PSF/FT
 $S_1 = 483.33 \text{ PSF}$
 $A = 3.56 \text{ FT}$
 EMBED. = 7.25 FT

36 in. Dia. Depth = 7'-3"

Pole Design

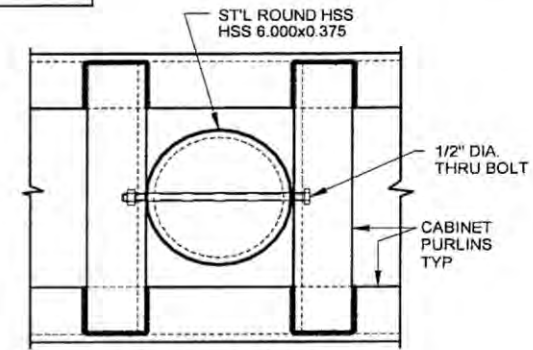
St'l. Round HSS
 Sec. Mod. Req'd. USE A500 Grade B
 $S = 7.23 \text{ HSS } 6.000 \times 0.375 \text{ } S=8.28$

Base Plate

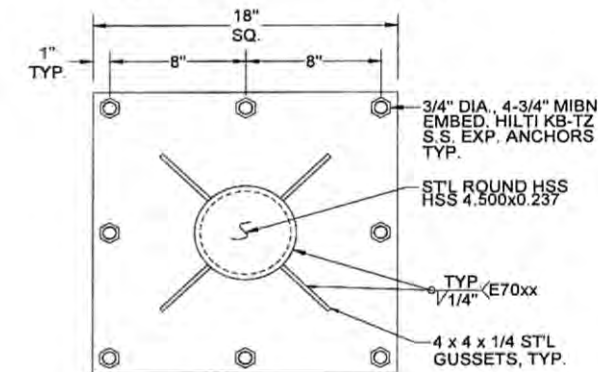
St'l. Plate
 Thickness Req'd. USE A36
 Thick = 0.89 $\text{PL } 18" \times 18" \times 1" \text{ } t=1.00$

Anchor Design

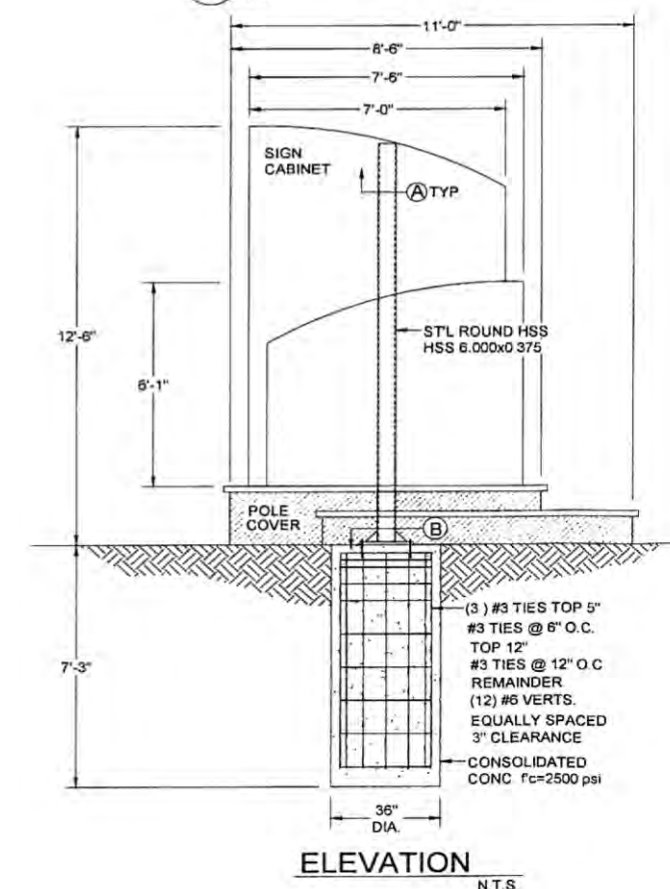
Hilti KB-TZ Stainless Exp. Anchors
 Tension Req'd. USE ICC-ESR#1917
 $T = 3795 \text{ } 3/4" \text{ Dia., } 4-3/4" \text{ Min. Embed. } T=3.967$



A CONNECTION
(2 PLACES) NTS



B BASE PLATE
t=1" N.T.S.



ELEVATION
N.T.S.



imageGROUP
 ENVIRONMENTAL GRAPHICS • SIGNAGE • WAYFINDING • CORPORATE BRANDING
 SEATTLE • SAN DIEGO
 MAIN OFFICE
 380 STEVENS AVENUE #307
 SOLANA BEACH, CA 92075
 PHONE: 858.345.1542
 FAX: 858.408.3203

CLIENT INFORMATION:
Rideout Regional Medical Center
 726 4th Street
 Marysville, CA 95901



APPROVALS:
 IG ACCOUNT MANAGER _____
 IG PRODUCTION MANAGER _____
 CLIENT APPROVAL _____

SALES REP:
Rebecca Redmon
 DESIGNER:
R.Germar

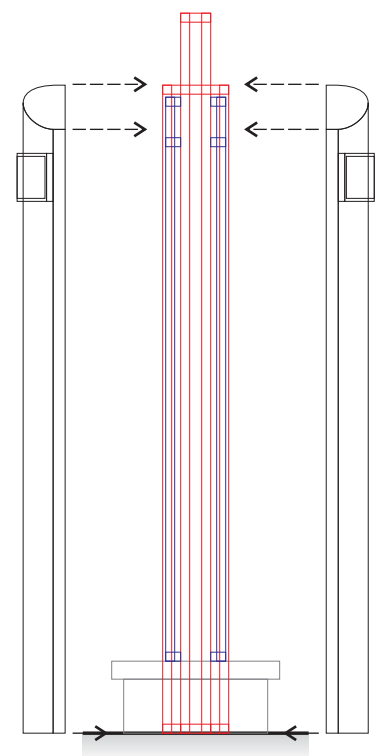
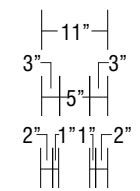
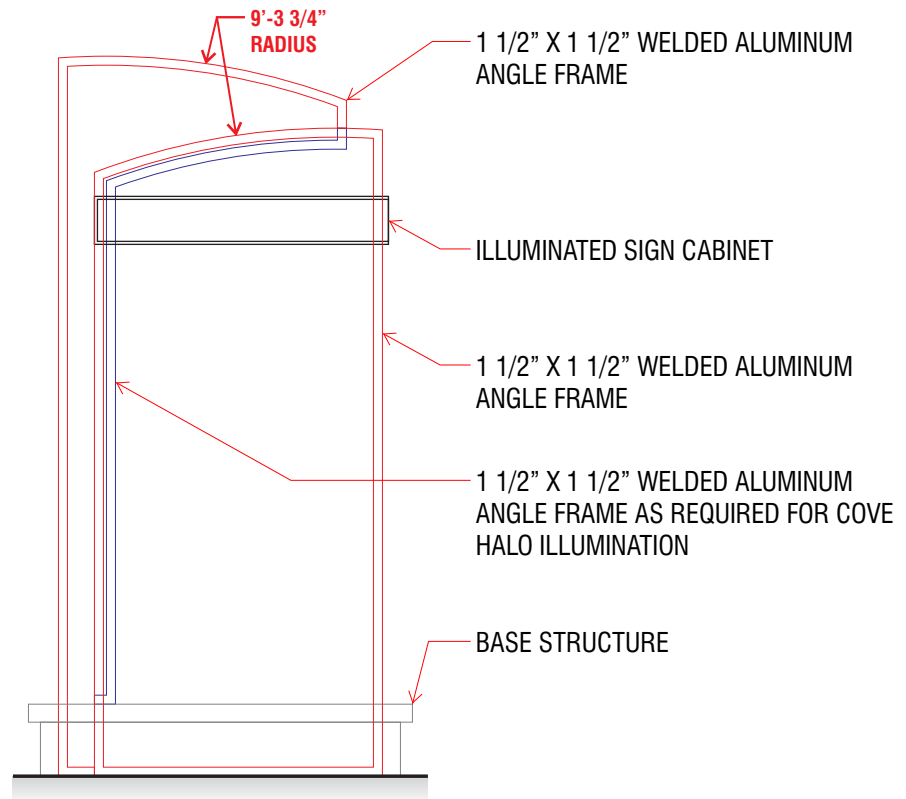
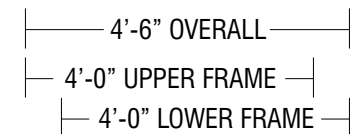
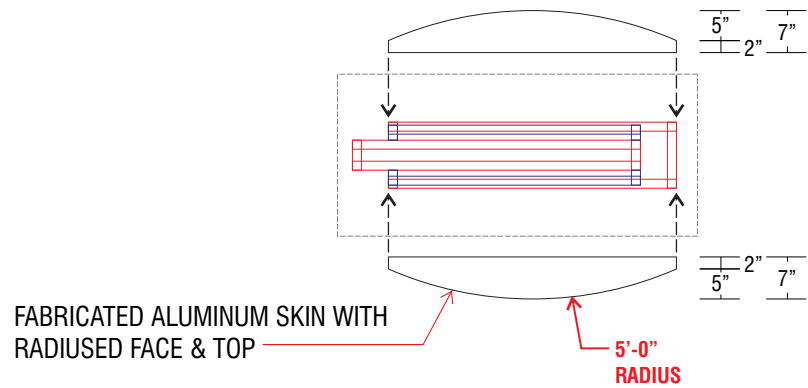
REVISION DATES:
 12 10-07-2013 RLG
 13 10-15-2013 RLG
 14 12-03-2013 RLG
 15 12-10-2013 RLG
 16 12-30-2013 RLG

VOLTAGE: 120V
 240V

THIS ORIGINAL UNPUBLISHED DESIGN IS THE SOLE PROPERTY OF IMAGE GROUP. IT CANNOT BE REPRODUCED, COPIED OR EXHIBITED IN WHOLE OR PART, WITHOUT FIRST OBTAINING WRITTEN CONSENT FROM IMAGE GROUP. COLORS REPRESENTED IN THIS DRAWING ARE FOR PRESENTATION PURPOSES ONLY. THEY MAY NOT MATCH YOUR FINISHED PRODUCT PERFECTLY. COLOR CALL-OUTS ARE FOR REFERENCE PURPOSES ONLY.

PRIMARY ELECTRICAL TO SIGN LOCATIONS IS TO BE PROVIDED BY OTHERS. 20 AMP DEDICATED CIRCUIT(S) WITH NO SHARED NEUTRALS AND A GROUND RETURNING TO THE PANEL IS REQUIRED FOR ALL INSTALLATIONS. THIS SIGN IS INTENDED TO BE INSTALLED IN ACCORDANCE WITH THE REQUIREMENTS OF ARTICLE 600 OF THE NATIONAL ELECTRICAL CODE AND/OR OTHER APPLICABLE LOCAL CODES. THIS INCLUDES PROPER GROUNDING AND BONDING OF THE SIGN.

DATE
01-30-2013
 DESIGN NO:
Rideout Master Sign Program
 PROJECT LOCATION:
Marysville, CA
 SIGN TYPE:
Sign Type B Pylon Sign Engineering



FRAME STRUCTURE (END VIEW)

1 UPDATED 2013 ADDED FRAMING DETAILS

SIGN TYPE "D" FRAME STRUCTURE SCALE: 3/8" = 1'-0"

THIS ORIGINAL UNPUBLISHED DESIGN IS THE SOLE PROPERTY OF IMAGE GROUP. IT CANNOT BE REPRODUCED, COPIED OR EXHIBITED IN WHOLE OR PART, WITHOUT FIRST OBTAINING WRITTEN CONSENT FROM IMAGE GROUP. COLORS REPRESENTED IN THIS DRAWING ARE FOR PRESENTATION PURPOSES ONLY. THEY MAY NOT MATCH YOUR FINISHED PRODUCT PERFECTLY. COLOR CALL-OUTS ARE FOR REFERENCE PURPOSES ONLY.

PRIMARY ELECTRICAL TO SIGN LOCATIONS IS TO BE PROVIDED BY OTHERS. 20 AMP DEDICATED CIRCUIT(S) WITH NO SHARED NEUTRALS AND A GROUND RETURNING TO THE PANEL IS REQUIRED FOR ALL INSTALLATIONS. THIS SIGN IS INTENDED TO BE INSTALLED IN ACCORDANCE WITH THE REQUIREMENTS OF ARTICLE 600 OF THE NATIONAL ELECTRICAL CODE AND/OR OTHER APPLICABLE LOCAL CODES. THIS INCLUDES PROPER GROUNDING AND BONDING OF THE SIGN.



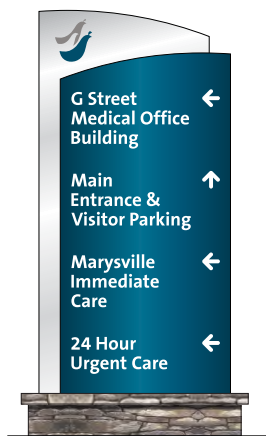
6.1



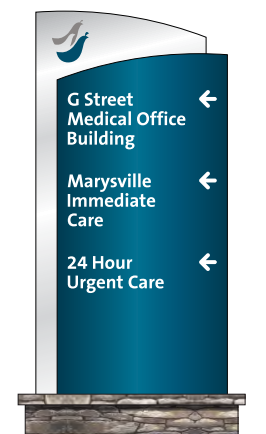
6.2



6.3



6.4



6.5

SIGN TYPE "D" DIRECTIONAL SIGN - DIR-41-DF

UPDATED 2013
ADDED ENGINEERING

Y.J. INC.

25379 Wayne Mills Pl # 272
Valencia, CA 91355

Sign Design Based on 2007 CBC

DATE 5/16/2013
TEL: (661) 259-0700
FAX: (661) 259-0900

Job # JTS_30613
Project Rideout Regional Medical Center - Sign D
Job Location 726 4th Street
Marysville, CA.

INPUT DATA

Exposure category (B, C or D)	=	C
Importance factor, pg 77, (0.87, 1.0 or 1.15)	I	= 1.15 Category III or IV
Basic wind speed (3 sec. gust wind)	V	= 90 mph
Topographic factor (Sec.6.5.7.2, pg 26 & 45)	K_{zt}	= 1 Flat
Height to Top	h	= 10 ft
Vertical dimension (for wall, s = h)	s	= 8.776 ft
Horizontal dimension	B	= 5 ft
Dimension of return corner	L_r	= 0.42 ft
Moment Arm	A	= 5.5 ft

DESIGN SUMMARY

Max horizontal wind pressure	p	=	23 psf
Max total horizontal force at centroid of base	F	=	1.009 kips
Max bending moment at centroid of base	M	=	5.551 kip-ft

ANALYSIS

Velocity pressure

$q_s = 0.00256 K_z K_{zt} K_d V^2 I = 17.23 \text{ psf}$

where:

q_s = velocity pressure at mean roof height, h. (Eq. 6-15, page 27)	=	17.23 psf
K_z = velocity pressure exposure coefficient evaluated at height, h. (Tab. 6-3, Case 1, pg 79)	=	0.85
K_d = wind directionality factor. (Tab. 6-4, for building, page 80)	=	0.85
h = height of top	=	10.00 ft

Wind Force Case A: resultant force through the geometric center (Sec. 6.5.14 & Fig. 6-20)

$p = q_s G C_f$	=	23 psf
$F = p A_s$	=	1.01 kips
$M = F (h - 0.5s)$ for sign, $F (0.55h)$ for wall	=	5.55 kip-ft
where: G = gust effect factor. (Sec. 6.5.8, page 26)	=	0.85
C_f = net force coefficient. (Fig. 6-20, page 73)	=	1.60
$A_s = B s$	=	43.88 ft ²

Footing Design (Nonconstrained)

Diameter =	2.00 FT
Soil Pressure =	100.00 PSF/FT
S_f =	397.33 PSF
A =	2.97 FT
EMBED. =	5.96 FT

24 in. Dia. Depth = 6'-0"

Pole Design

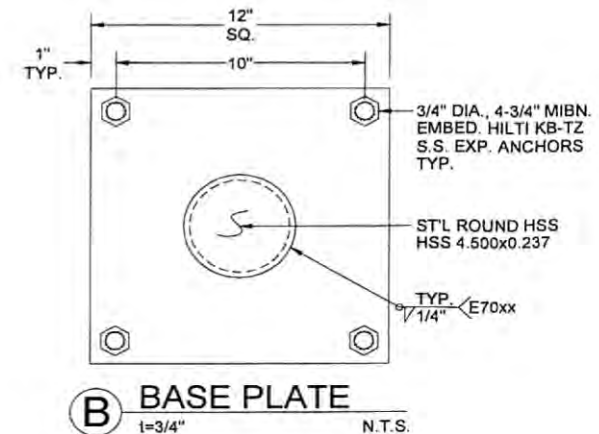
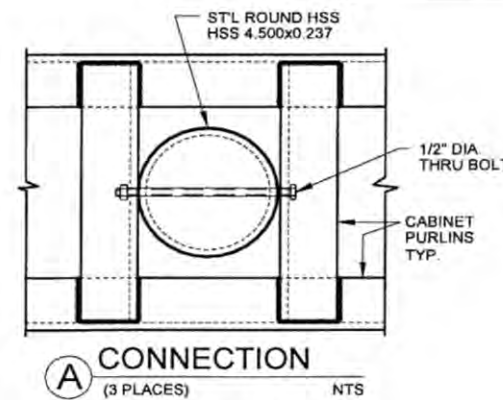
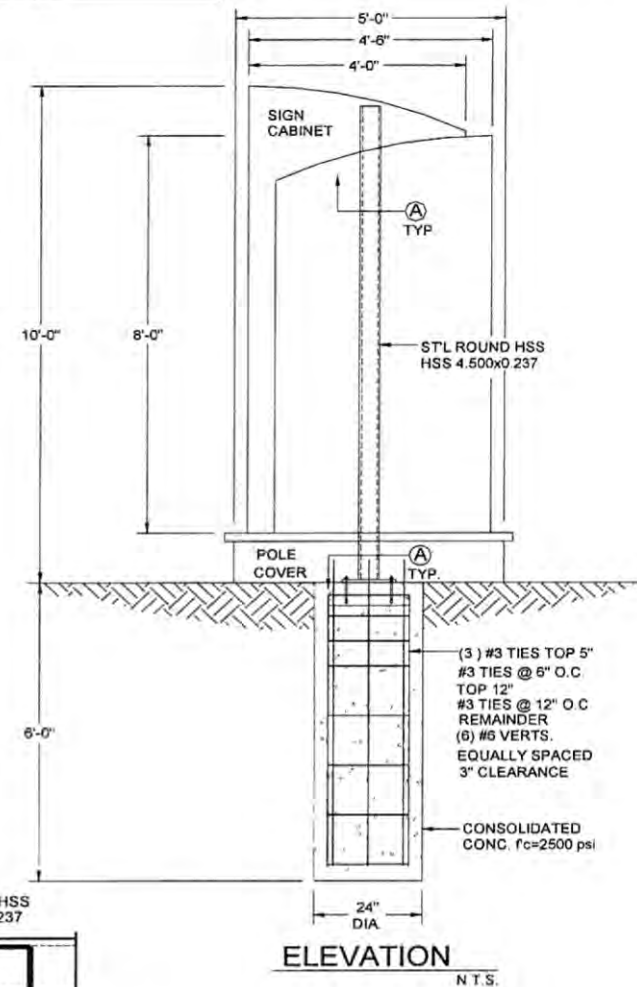
SI'l. Round HSS	
Sec. Mod. Req'd. USE	A500 Grade B
S = 2.64	HSS 4.500x0.237 S=3.02

Base Plate

SI'l. Plate	
Thickness Req'd. USE	A36
Thick = 0.63	PL 12"x12"x3/4" l=0.75

Anchor Design

Hilti KB-TZ Stainless Exp. Anchors	
Tension Req'd. USE	ICC-ESR#1917
T = 3330	3/4" Dia., 4-3/4" Min. Embed. T=3,967



imageGROUP
ENVIRONMENTAL GROUPS • STORAGE • WATERSHEDS • CORPORATE BRANDING
SEATTLE • SAN DIEGO
MAIN OFFICE
380 STEVENS AVENUE #307
SOLANA BEACH, CA 92075
PHONE: 858.345.1542
FAX: 858.408.3203

CLIENT INFORMATION:
Rideout Regional Medical Center
726 4th Street
Marysville, CA 95901



APPROVALS:
IG ACCOUNT MANAGER _____
IG PRODUCTION MANAGER _____
CLIENT APPROVAL _____

SALES REP:
Rebecca Redmon
DESIGNER:
R.Germar

- REVISION DATES:
- 12 10-07-2013 RLG
 - 13 10-15-2013 RLG
 - 14 12-03-2013 RLG
 - 15 12-10-2013 RLG
 - 16 12-30-2013 RLG

VOLTAGE: 120V
240V

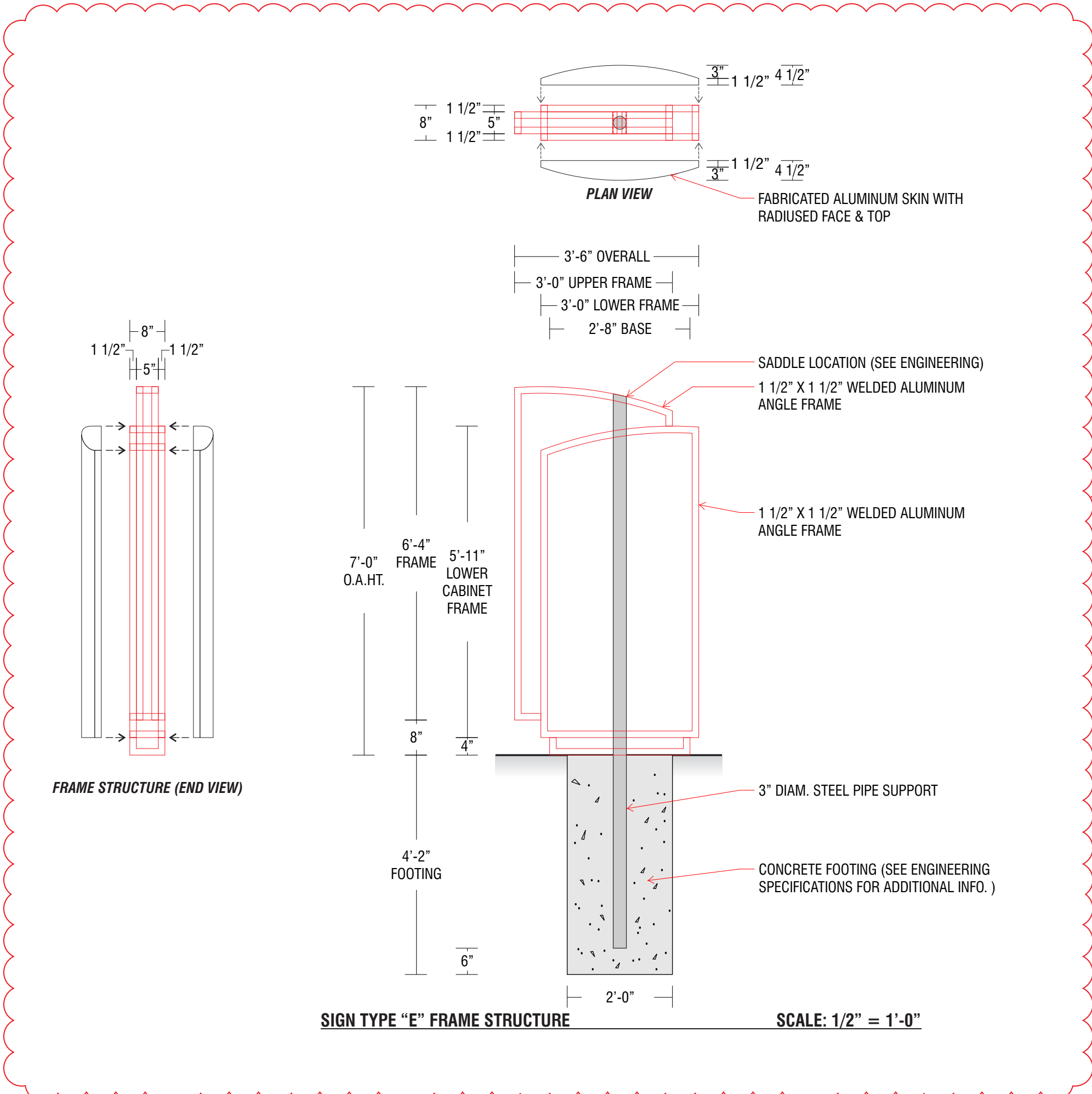
THIS ORIGINAL UNPUBLISHED DESIGN IS THE SOLE PROPERTY OF IMAGE GROUP. IT CANNOT BE REPRODUCED, COPIED OR EXHIBITED IN WHOLE OR PART, WITHOUT FIRST OBTAINING WRITTEN CONSENT FROM IMAGE GROUP. COLORS REPRESENTED IN THIS DRAWING ARE FOR PRESENTATION PURPOSES ONLY. THEY MAY NOT MATCH YOUR FINISHED PRODUCT PERFECTLY. COLOR CALL-OUTS ARE FOR REFERENCE PURPOSES ONLY.

PRIMARY ELECTRICAL TO SIGN LOCATIONS IS TO BE PROVIDED BY OTHERS. 20 AMP DEDICATED CIRCUIT(S) WITH NO SHARED NEUTRALS AND A GROUND RETURNING TO THE PANEL IS REQUIRED FOR ALL INSTALLATIONS. THIS SIGN IS INTENDED TO BE INSTALLED IN ACCORDANCE WITH THE REQUIREMENTS OF ARTICLE 600 OF THE NATIONAL ELECTRICAL CODE AND/OR OTHER APPLICABLE LOCAL CODES. THIS INCLUDES PROPER GROUNDING AND BONDING OF THE SIGN.

DATE
01-30-2013
DESIGN NO:
Rideout Master Sign Program
PROJECT LOCATION:
Marysville, CA
SIGN TYPE:
Sign Type D Directional Sign Engineering

THIS ORIGINAL UNPUBLISHED DESIGN IS THE SOLE PROPERTY OF IMAGE GROUP. IT CANNOT BE REPRODUCED, COPIED OR EXHIBITED IN WHOLE OR PART, WITHOUT FIRST OBTAINING WRITTEN CONSENT FROM IMAGE GROUP. COLORS REPRESENTED IN THIS DRAWING ARE FOR PRESENTATION PURPOSES ONLY. THEY MAY NOT MATCH YOUR FINISHED PRODUCT PERFECTLY. COLOR CALL-OUTS ARE FOR REFERENCE PURPOSES ONLY.

PRIMARY ELECTRICAL TO SIGN LOCATIONS IS TO BE PROVIDED BY OTHERS. 20 AMP DEDICATED CIRCUIT(S) WITH NO SHARED NEUTRALS AND A GROUND RETURNING TO THE PANEL IS REQUIRED FOR ALL INSTALLATIONS. THIS SIGN IS INTENDED TO BE INSTALLED IN ACCORDANCE WITH THE REQUIREMENTS OF ARTICLE 600 OF THE NATIONAL ELECTRICAL CODE AND/OR OTHER APPLICABLE LOCAL CODES. THIS INCLUDES PROPER GROUNDING AND BONDING OF THE SIGN.



Y.J. INC.

25379 Wayne Mills Pl # 272
Valencia, CA 91355

Sign Design Based on 2007 CBC

DATE 11/15/2012

TEL: (661) 259-0700

FAX: (661) 259-0900

Job # JTS_71012
Project Fremont Rideout Medical Group - Sign 2.1
Job Location 726 4th Street
Marysville, CA.

INPUT DATA

Exposure category (B, C or D) = C
Importance factor, pg 77, (0.87, 1.0 or 1.15) I = 1.00 Category II
Basic wind speed (3 sec. gust wind) V = 90 mph
Topographic factor (Sec.6.5.7.2, pg 26 & 45) K_{zt} = 1 Flat
Height to Top h = 6.875 ft
Vertical dimension (for wall, s = h) s = 6.875 ft
Horizontal dimension B = 3.5 ft
Dimension of return corner L_r = 2 ft
Moment Arm A = 3.78 ft

DESIGN SUMMARY

Max horizontal wind pressure p = 20 psf
Max total horizontal force at centroid of base F = 0.481 kips
Max bending moment at centroid of base M = 1.819 kip-ft

ANALYSIS

Velocity pressure

$$q_h = 0.00256 K_h K_{zt} K_d V^2 I = 14.98 \text{ psf}$$

where:

q_h = velocity pressure at mean roof height, h. (Eq. 6-15, page 27)

K_h = velocity pressure exposure coefficient = 0.85

evaluated at height, h. (Tab. 6-3, Case 1, pg 79)

K_d = wind directionality factor. (Tab. 6-4, for building, page 80) = 0.85

h = height of top = 6.88 ft

Wind Force Case A: resultant force through the geometric center (Sec. 6.5.14 & Fig. 6-20)

p = $q_h G C_f$ = 20 psf

F = p A_x = 0.48 kips

M = F (h - 0.5s) for sign, F (0.55h) for wall = 1.82 kip-ft

where: G = gust effect factor. (Sec. 6.5.8, page 26)

C_f = net force coefficient. (Fig. 6-20, page 73)

A_x = B s = 24.1 ft²

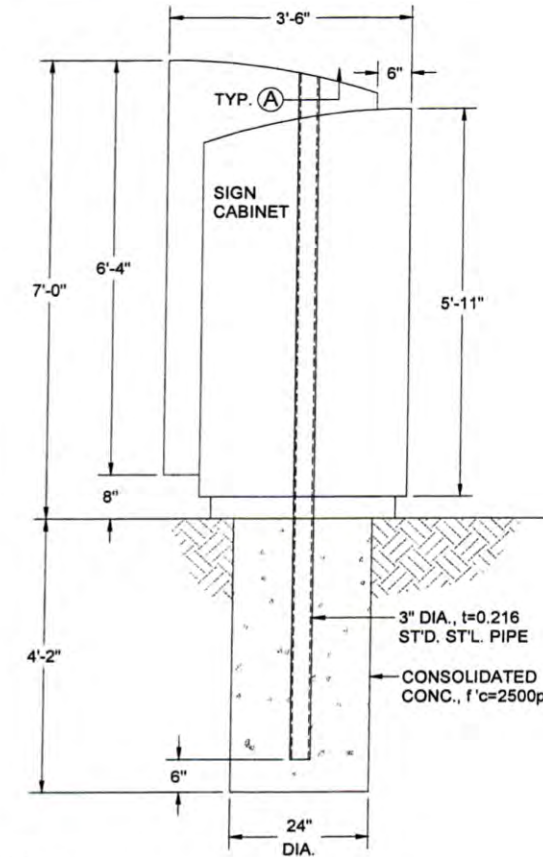
Footing Design (Nonconstrained)

Diameter = 2.00 FT
Soil Pressure = 100.00 PSF/FT
 S_1 = 274.00 PSF
A = 2.05 FT
EMBED = 4.11 FT

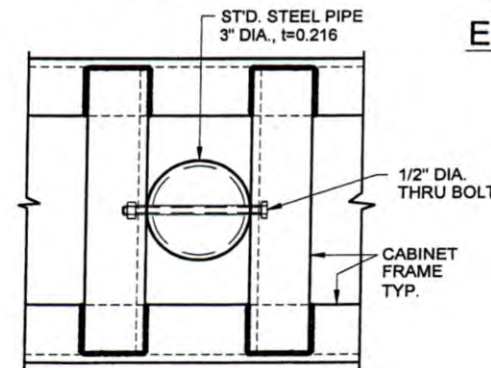
24 in. Dia. Depth = 4'-2"

Pole Design

S'td. Steel Pipe
Sec. Mod. Req'd. USE A53 Grade B
S = 1.04 3" Dia., t=0.216 S=1.63



ELEVATION
NTS



A CONNECTION
(2 PLACES) NTS



UPDATED 2013
ADDED ENGINEERING 1



7.4

SIGN TYPE "E" DIRECTIONAL
SIGN - DIR-23-DF

SEATTLE • SAN DIEGO

MAIN OFFICE
380 STEVENS AVENUE #307
SOLANA BEACH, CA 92075

PHONE: 858.345.1542
FAX: 858.408.3203

CLIENT INFORMATION:

Rideout Regional
Medical Center
726 4th Street
Marysville, CA 95901



APPROVALS:

IG ACCOUNT MANAGER _____

IG PRODUCTION MANAGER _____

CLIENT APPROVAL _____

SALES REP:

Rebecca Redmon

DESIGNER:

R.Germar

REVISION DATES:

12 10-07-2013 RLG

13 10-15-2013 RLG

14 12-03-2013 RLG

15 12-10-2013 RLG

16 12-30-2013 RLG

VOLTAGE:

120V

240V

THIS ORIGINAL UNPUBLISHED DESIGN IS THE SOLE PROPERTY OF IMAGE GROUP. IT CANNOT BE REPRODUCED, COPIED OR EXHIBITED IN WHOLE OR PART, WITHOUT FIRST OBTAINING WRITTEN CONSENT FROM IMAGE GROUP. COLORS REPRESENTED IN THIS DRAWING ARE FOR PRESENTATION PURPOSES ONLY. THEY MAY NOT MATCH YOUR FINISHED PRODUCT PERFECTLY. COLOR CALL-OUTS ARE FOR REFERENCE PURPOSES ONLY.

PRIMARY ELECTRICAL TO SIGN LOCATIONS IS TO BE PROVIDED BY OTHERS. 20 AMP DEDICATED CIRCUIT(S) WITH NO SHARED NEUTRALS AND A GROUND RETURNING TO THE PANEL IS REQUIRED FOR ALL INSTALLATIONS. THIS SIGN IS INTENDED TO BE INSTALLED IN ACCORDANCE WITH THE REQUIREMENTS OF ARTICLE 600 OF THE NATIONAL ELECTRICAL CODE AND/OR OTHER APPLICABLE LOCAL CODES. THIS INCLUDES PROPER GROUNDING AND BONDING OF THE SIGN.

DATE
01-30-2013

DESIGN NO:

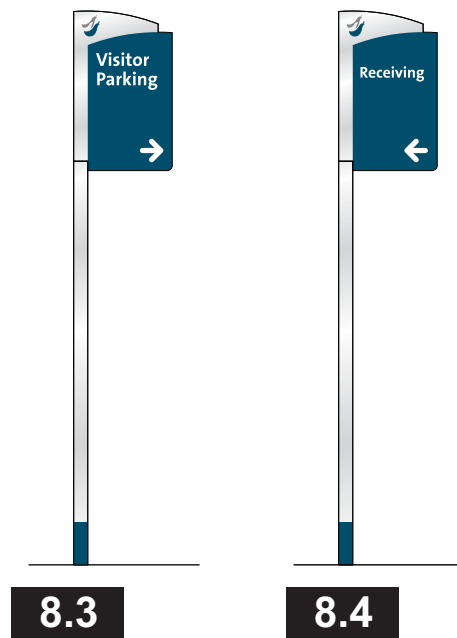
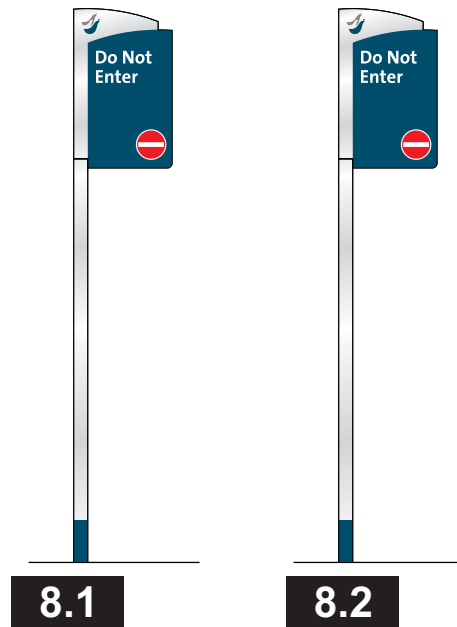
Rideout Master Sign Program

PROJECT LOCATION:

Marysville, CA

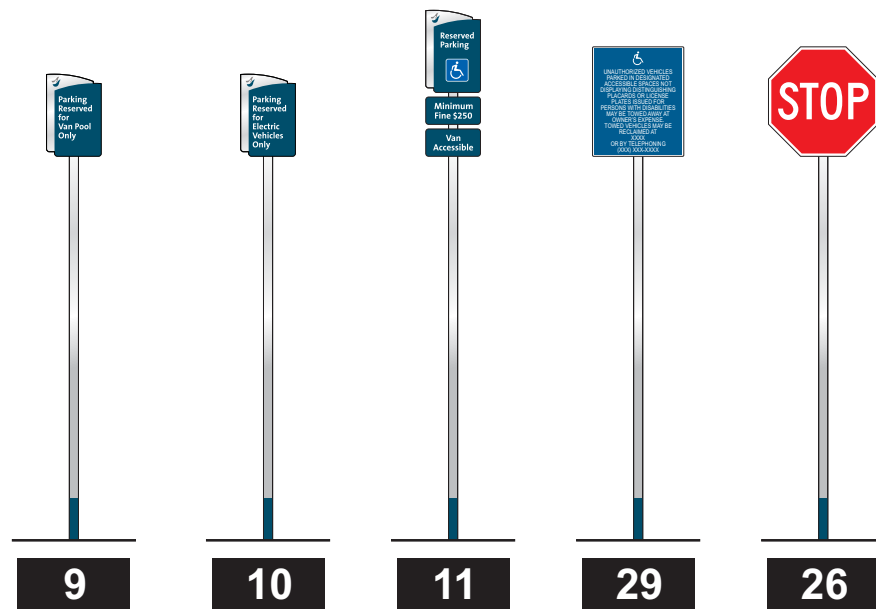
SIGN TYPE:

Sign Type E
Directional Sign
Engineering



SIGN TYPE "F" TERTIARY SIGN - T-DIR-5-NI-DF

**THIS AREA RESERVED
 FOR ENGINEERING**



SIGN TYPE "G" PARKING/INFO SIGN - INFO-XX-1.5-NI-SF

THIS AREA RESERVED FOR ENGINEERING

THIS ORIGINAL UNPUBLISHED DESIGN IS THE SOLE PROPERTY OF IMAGE GROUP. IT CANNOT BE REPRODUCED, COPIED OR EXHIBITED IN WHOLE OR PART, WITHOUT FIRST OBTAINING WRITTEN CONSENT FROM IMAGE GROUP. COLORS REPRESENTED IN THIS DRAWING ARE FOR PRESENTATION PURPOSES ONLY. THEY MAY NOT MATCH YOUR FINISHED PRODUCT PERFECTLY. COLOR CALL-OUTS ARE FOR REFERENCE PURPOSES ONLY.

PRIMARY ELECTRICAL TO SIGN LOCATIONS IS TO BE PROVIDED BY OTHERS. 20 AMP DEDICATED CIRCUIT(S) WITH NO SHARED NEUTRALS AND A GROUND RETURNING TO THE PANEL IS REQUIRED FOR ALL INSTALLATIONS. THIS SIGN IS INTENDED TO BE INSTALLED IN ACCORDANCE WITH THE REQUIREMENTS OF ARTICLE 600 OF THE NATIONAL ELECTRICAL CODE AND/OR OTHER APPLICABLE LOCAL CODES. THIS INCLUDES PROPER GROUNDING AND BONDING OF THE SIGN.