



Lat: 32°59'36.25N

Lon: -117°15'41.13"W

# Exterior Signage

**Olivas Building**

**Salinas Valley Memorial Hospital  
120 Wilgart Way  
Salinas, CA 93901**

**REV 5 February 12, 2013**





PRIMARY ELECTRICAL TO SIGN LOCATIONS IS TO BE PROVIDED BY OTHERS, 20 AMP DEDICATED CIRCUIT(S) WITH NO SHARED NEUTRALS AND A GROUND RETURNING TO THE PANEL IS REQUIRED FOR ALL INSTALLATIONS.

COLORS REPRESENTED IN THIS DRAWING ARE FOR PRESENTATION PURPOSES ONLY. THEY MAY NOT MATCH YOUR FINISHED PRODUCT PERFECTLY. COLOR CALL-OUTS ARE FOR A MATCH AS CLOSE AS POSSIBLE.

THIS ORIGINAL DESIGN IS THE SOLE PROPERTY OF IMAGE GROUP. IT CANNOT BE REPRODUCED, COPIED OR EXHIBITED IN WHOLE OR PART, WITHOUT FIRST OBTAINING WRITTEN CONSENT FROM IMAGE GROUP.

THIS SIGN IS INTENDED TO BE INSTALLED IN ACCORDANCE WITH THE REQUIREMENTS OF ARTICLE 600 OF THE NATIONAL ELECTRICAL CODE AND/OR OTHER APPLICABLE LOCAL CODES. THIS INCLUDES PROPER GROUNDING AND BONDING OF THE SIGN.

PRODUCTION APPROVAL

CLIENT APPROVAL

**INDEX**

PAGE	SIGN TYPE	DESCRIPTION
1	-	Sheet Index/Graphic Standards
2	-	Sign Location Plan
3	DIR-16	Medium Directional - Illuminated
4	DIR-16	Medium Directional - Illuminated Location 1
5	DIR-16	Medium Directional - Illuminated Location 6
6	EXT.10	Wall Sign - Location 4
7	EXT.10	Wall Sign - Location 5
8	EXT.11	Wall Sign - Location 2
9	EXT.12	Wall Sign - Location 7
10	EXT.11	Wall Sign - Locations 8 and 9

**SIGN COUNT**

SIGN TYPE	QTY
DIR-16	2
EXT.10	2
EXT.11	3
EXT.12	1

**ABCDEFGHIJKLMNOPQRSTUVWXYZ**  
**abcdefghijklmnopqrstuvwxyz 1234567890**

Bliss Extra Bold



Standard Arrow

**COLOR LEGEND**

Matthews #30136	PMS #5473C	Light Teal TBD	Black	White	3M Bristol Blue #3630-97	El Dorado Shadow Rock Bronze



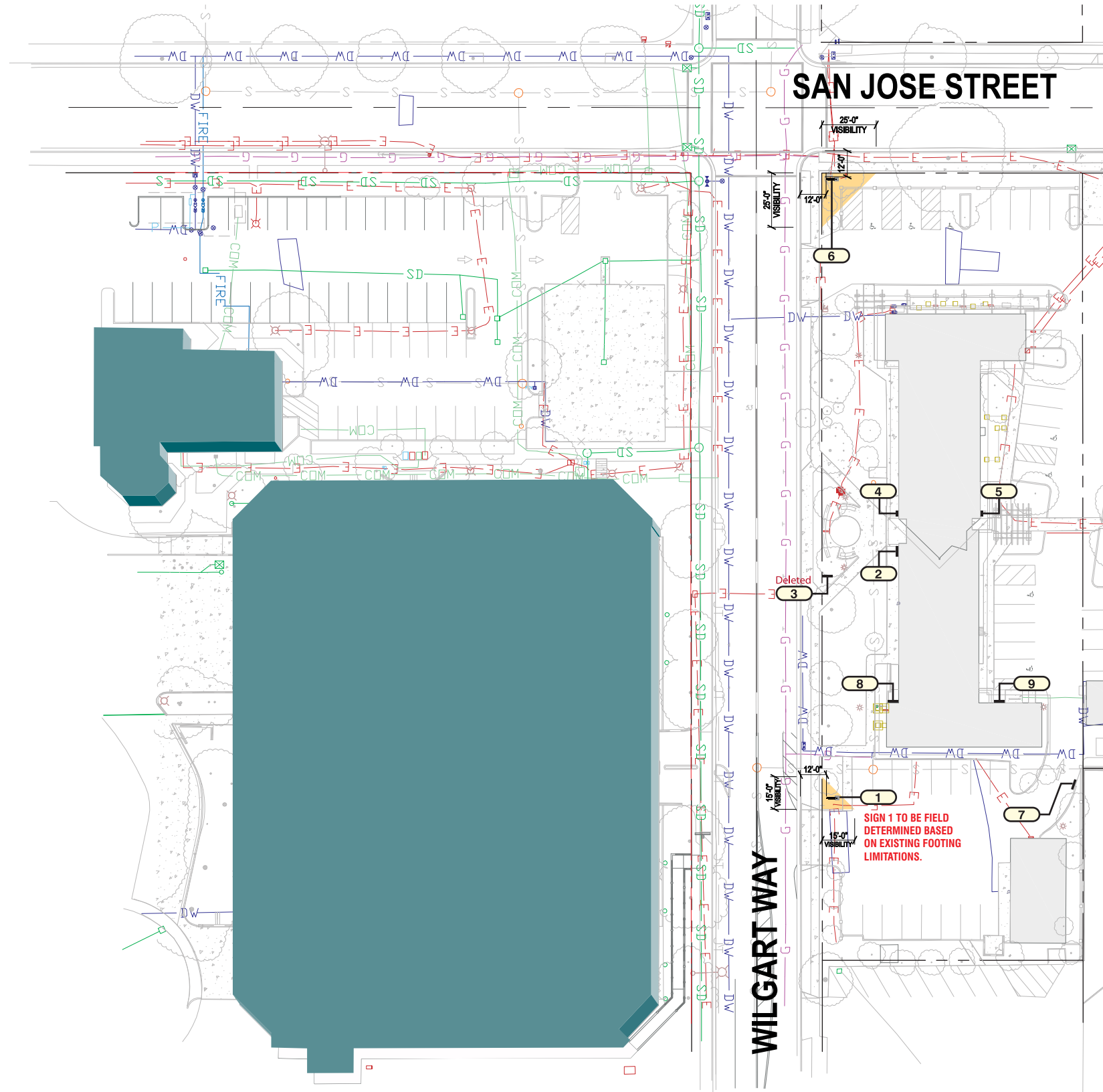
Parking



Logo

**NPDES Compliance Notes:**

- 1) The contractor shall be responsible for complying with the general permit for discharges of storm water associated with construction activity Construction General Permit Order 2009-0009-DWQ as amended by Order 2010-0014-DWQ or the most recent amendment.
- 2) The contractor shall be responsible for complying with the project Stormwater Pollution Prevention Plan (SWPPP) that has been uploaded to the Storm Water Application Reporting and Tracking (SMARTS) database found at <http://smarts.waterboards.ca.gov> (project WDID # 3 27C355884).
- 3) The contractor shall be responsible to providing or performing the duties of the "Qualified SWPPP Practitioner" (QSP), including any and all training and certifications necessary. The QSP shall be responsible for all inspections, monitoring, testing, and filing of reports as required by the SWPPP and the General Permit.



### LEGEND

<p>--- PROPERTY LINE</p> <p> BUILDINGS</p> <p> SIGNS</p>	<p> VISIBILITY TRIANGLES</p>
--	------------------------------

---

### UTILITY LEGEND

<p>SEWER DOMESTIC WATER FIRE MAIN COLD WATER HOT WATER STORM DRAIN ELECTRIC OVERHEAD GAS ELECTRIC UNDERGROUND COMMUNICATION LINE SEWER MANHOLE STORM DRAIN MANHOLE STORM DRAIN CATCH BASIN FIRE HYDRANT FDC WATER VALVE IRRIGATION STRUCTURE MISCELLANEOUS STRUCTURE VENTILATION DUCT</p>	<p>— S — S — S — — DW — DW — — FIRE — — CW — CW — — HW — HW — — SD — SD — — EDHL — — G — G — G — — COM — — F — F — F — — E — E — E — — V — V — V —</p>
---	--

**GENERAL NOTE:**  
THE CURRENT CUP 2005-001 DETERMINED THAT "ALL OF THE PROPOSED SIGNS ON THE MASTER SIGN PLAN ARE LOCATED OUTSIDE OF THE SIGHT VISIBILITY TRIANGLES, AND ARE ACCEPTABLE TO THE ENGINEERING SERVICES SECTION." (EXHIBIT D, CUP 2005-001)

SEC. 37-50-460 DRIVEWAY AND CORNER VISIBILITY. EXCEPTIONS: THE CITY PLANNER MAY ALLOW EXCEPTIONS TO THE UNRESTRICTED VISIBILITY FOR STREET CORNERS AND DRIVEWAYS, FOLLOWING A DETERMINATION BY THE CITY ENGINEER THAT SUCH EXCEPTIONS WILL NOT ADVERSELY AFFECT SIGN DISTANCE OR POSE A HAZARD TO MOTORISTS AND PEDESTRIANS.

**SIGNS ARE NOT LOCATED IN UTILITY EASEMENTS**

**THE PROPOSED SIGN LOCATIONS WERE ESTABLISHED PREVIOUSLY IN 2005, THE RECONFIGURED SIGNS WILL NOT INCREASE THE HORIZONTAL OR VERTICAL ENCROACHMENT INTO THE SIGHT VISIBILITY TRIANGLE ABOVE AND BEYOND WHAT WAS APPROVED AND ESTABLISHED IN 2005 AND THE EXISTING SIGN PLACEMENTS HAVE NOT RESULTED IN A KNOWN SAFETY HAZARD UNDER CONTINUED USE.**

- INSTALLATION NOTES:**
1. ALL LEADING EDGES OF THE NEW SIGNS TO MATCH LOCATION OF EXISTING SIGNS.
  2. NEW SIGNS TO BE MOVED Laterally AS REQUIRED TO AVOID EXISTING FOOTINGS.

**SIGN PLAN**

**CLIENT INFORMATION**  
**SALINAS VALLEY**  
**MEMORIAL HOSPITAL**  
**SALINAS, CA**

**OLIVAS BLDG**  
**EXTERIOR**

**SALES REP**  
**R. REDMON**  
**DESIGNER**  
**T. WEST**  
**DESIGN NO**  
**12-103-04**  
**DATE**  
**11-08-2012**

**REVISION DATES**  
① 11-16-2012 TW  
② 12-03-2012 TW  
③ 12-10-2012 TW  
④ 2-05-2013 TW  
⑤ 02-12-2013 RLG

**VOLTAGE** 120V   
277V



**SEATTLE • SAN DIEGO**

**MAIN OFFICE**  
380 STEVENS AVENUE, SUITE 307  
SOLANA BEACH, CA 92075

**PHONE: 206.445.0774**  
**WWW.IMAGEGROUPUSA.COM**

PRIMARY ELECTRICAL TO SIGN LOCATIONS IS TO BE PROVIDED BY OTHERS, 20 AMP DEDICATED CIRCUITS WITH NO SHARED NEUTRALS AND A GROUND RETURNING TO THE PANEL IS REQUIRED FOR ALL INSTALLATIONS.

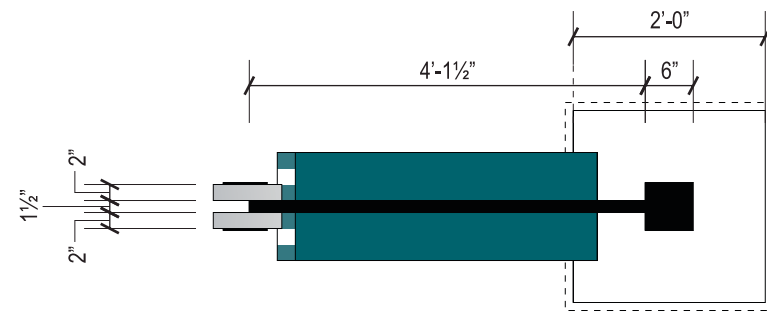
COLORS REPRESENTED IN THIS DRAWING ARE FOR PRESENTATION PURPOSES ONLY. THEY MAY NOT MATCH YOUR FINISHED PRODUCT PERFECTLY. COLOR CALL-OUTS ARE FOR A MATCH AS CLOSE AS POSSIBLE.

THIS ORIGINAL DESIGN IS THE SOLE PROPERTY OF IMAGE GROUP. IT CANNOT BE REPRODUCED, COPIED OR EXHIBITED IN WHOLE OR PART, WITHOUT FIRST OBTAINING WRITTEN CONSENT FROM IMAGE GROUP.

THIS SIGN IS INTENDED TO BE INSTALLED IN ACCORDANCE WITH THE REQUIREMENTS OF ARTICLE 600 OF THE NATIONAL ELECTRICAL CODE AND/OR OTHER APPLICABLE LOCAL CODES. THIS INCLUDES PROPER GROUNDING AND BONDING OF THE SIGN.

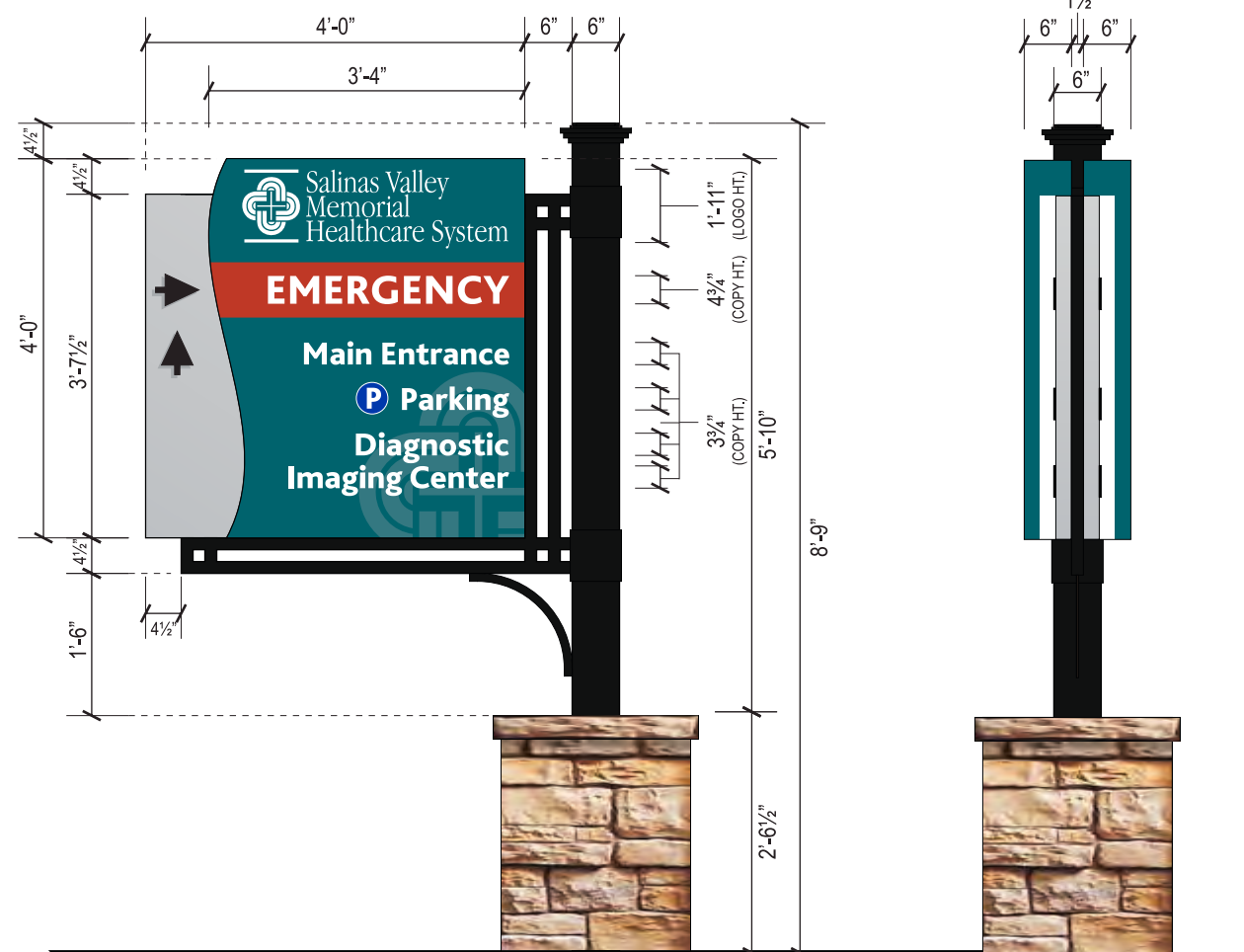
PRODUCTION APPROVAL

CLIENT APPROVAL



**PLAN VIEW**

SCALE: 1/2" = 1'-0"



**TYPICAL  
 MEDIUM DIRECTIONAL  
 INTERNALLY ILLUMINATED D/F SIGN - DIR-16**  
 SCALE: 1/2" = 1'-0"

**SIDE VIEW**

SCALE: 1/2" = 1'-0"

**SIGN SPECIFICATIONS**

**CABINET MATERIAL:** FABRICATED .125" THICK ALUMINUM CABINET W/SIDE LENSE TO WASH ILLUMINATION ONTO STEP BACK LAYER OF CABINET. AREA TO BE ROUTED OUT OF SIDE RETURN OF CABINET AT STEP BACK LAYER TRANSITION AND BACKED WITH 3/16" THICK WHITE LEXAN.

**CABINET FINISH:** TO MATCH PMS 5473C TURQUOISE, HALF TONE LOGO TO MATCH TBD

**CABINET DEPTH:** 6" S/F CABINET (X2)

**STEP BACK LAYER SPECS:** FABRICATED .125" THICK ALUMINUM. LAYER TO BE 2" DEEP, FINISHED MATTHEWS BRUSHED SILVER.

**GRAPHIC SPECS:** ROUTED OUT OF FACE & BACKED WITH 3/16" THICK WHITE ACRYLIC.

**INTERNAL ILLUMINATION:** WHITE LED'S

**ARROWS:** ROUTED OUT 1/4" THICK ALUMINUM PLATE, FINISHED SATIN BLACK.

**DECORATIVE GRID MATERIAL:** WELDED 1-1/2" X 1-1/2" SQUARE STEEL TUBE

**GRID FINISH:** SATIN BLACK

**MAIN SUPPORTS:** 6" X 6" STEEL TUBE (X1)

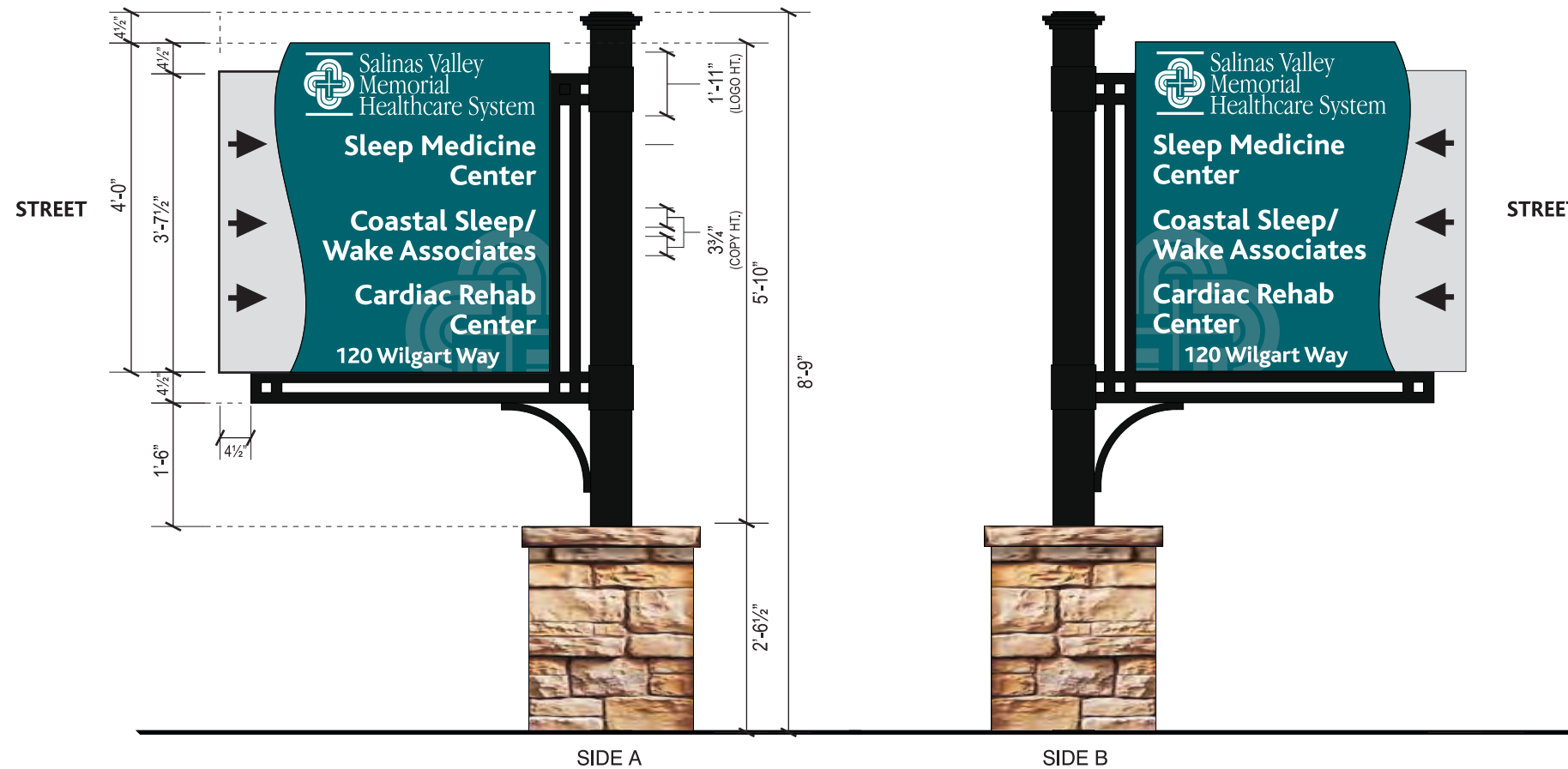
**MAIN SUPPORT FINISH:** SATIN BLACK

**FINIAL SPECS:** FABRICATED PVC FINIAL - FINISHED SATIN BLACK  
**ARC ACCENT SPECS:** 1/4" THICK STEEL PLATE - ROUTED TO SHAPE, 1" WIDE, WELDED TO UNDER SIDE OF DECORATIVE GRID AND INSIDE OF MAIN SUPPORT FINISHED SATIN BLACK.

**BASE SPECS:** 1-1/2" X 1-1/2" STEEL ANGLE FRAME WITH 1/2" THICK DUROCK CEMENT CLADDING (BACKER BOARD FOR STONE VENEER)  
**STONE VENEER SPECS:** ELDORARDO STONE - SHADOW ROCK - BRONZE, TO BE GLUED TO 1/2" THICK DUROCK CEMENT BACKER BOARD.

**INSTALL METHOD:** ENTIRE SIGN WILL BE MOUNTED INTO GROUND VIA DIRECT BURIAL OF THE MAIN SUPPORT. ELECTRIC WILL BE BROUGHT TO SIGN BY OTHERS.





**1** INTERNALLY ILLUMINATED D/F SIGN - DIR-16  
SCALE: 1/2" = 1'-0"



EXISTING SIGN



PROPOSED SIGN

CLIENT INFORMATION  
**SALINAS VALLEY  
MEMORIAL HOSPITAL  
SALINAS, CA**

**OLIVAS BLDG  
EXTERIOR**

SALES REP  
**R. REDMON**  
DESIGNER  
**T. WEST**  
DESIGN NO  
**12-103-04**  
DATE  
**11-08-2012**

REVISION DATES  
① 11-16-2012 TW  
② 12-03-2012 TW  
③ 12-10-2012 TW  
④ 2-05-2013 TW  
⑤ 02-12-2013 RLG

VOLTAGE **120V**   
**277V**



**SEATTLE • SAN DIEGO**

**MAIN OFFICE**  
380 STEVENS AVENUE, SUITE 307  
SOLANA BEACH, CA 92075

PHONE: 206.445.0774  
WWW.IMAGEGROUPUSA.COM

PRIMARY ELECTRICAL TO SIGN  
LOCATIONS IS TO BE PROVIDED BY  
OTHERS, 20 AMP DEDICATED  
CIRCUIT(S) WITH NO SHARED NEUTRALS  
AND A GROUND RETURNING TO THE  
PANEL IS REQUIRED FOR ALL  
INSTALLATIONS.

COLORS REPRESENTED IN THIS  
DRAWING ARE FOR PRESENTATION  
PURPOSES ONLY. THEY MAY NOT MATCH  
YOUR FINISHED PRODUCT PERFECTLY.  
COLOR CALL-OUTS ARE FOR A MATCH  
AS CLOSE AS POSSIBLE.

THIS ORIGINAL DESIGN IS THE SOLE  
PROPERTY OF IMAGE GROUP. IT  
CANNOT BE REPRODUCED, COPIED OR  
EXHIBITED IN WHOLE OR PART,  
WITHOUT FIRST OBTAINING WRITTEN  
CONSENT FROM IMAGE GROUP.

THIS SIGN IS INTENDED TO BE  
INSTALLED IN ACCORDANCE WITH THE  
REQUIREMENTS OF ARTICLE 600 OF THE  
NATIONAL ELECTRICAL CODE AND/OR  
OTHER APPLICABLE LOCAL CODES. THIS  
INCLUDES PROPER GROUNDING AND  
BONDING OF THE SIGN.

PRODUCTION APPROVAL

CLIENT APPROVAL





**6** **INTERNALLY ILLUMINATED D/F SIGN - DIR-16**  
SCALE: 1/2" = 1'-0"



EXISTING SIGN



PROPOSED SIGN

CLIENT INFORMATION  
**SALINAS VALLEY  
MEMORIAL HOSPITAL  
SALINAS, CA**

**OLIVAS BLDG  
EXTERIOR**

SALES REP  
**R. REDMON**  
DESIGNER  
**T. WEST**  
DESIGN NO  
**12-103-04**  
DATE  
**11-08-2012**

REVISION DATES  
① 11-16-2012 TW  
② 12-03-2012 TW  
③ 12-10-2012 TW  
④ 2-05-2013 TW  
⑤ 02-12-2013 RLG

VOLTAGE **120V**   
**277V**



**SEATTLE • SAN DIEGO**

**MAIN OFFICE**  
380 STEVENS AVENUE, SUITE 307  
SOLANA BEACH, CA 92075

PHONE: 206.445.0774  
WWW.IMAGEGROUPUSA.COM

PRIMARY ELECTRICAL TO SIGN LOCATIONS IS TO BE PROVIDED BY OTHERS, 20 AMP DEDICATED CIRCUIT(S) WITH NO SHARED NEUTRALS AND A GROUND RETURNING TO THE PANEL IS REQUIRED FOR ALL INSTALLATIONS.

COLORS REPRESENTED IN THIS DRAWING ARE FOR PRESENTATION PURPOSES ONLY. THEY MAY NOT MATCH YOUR FINISHED PRODUCT PERFECTLY. COLOR CALL-OUTS ARE FOR A MATCH AS CLOSE AS POSSIBLE.

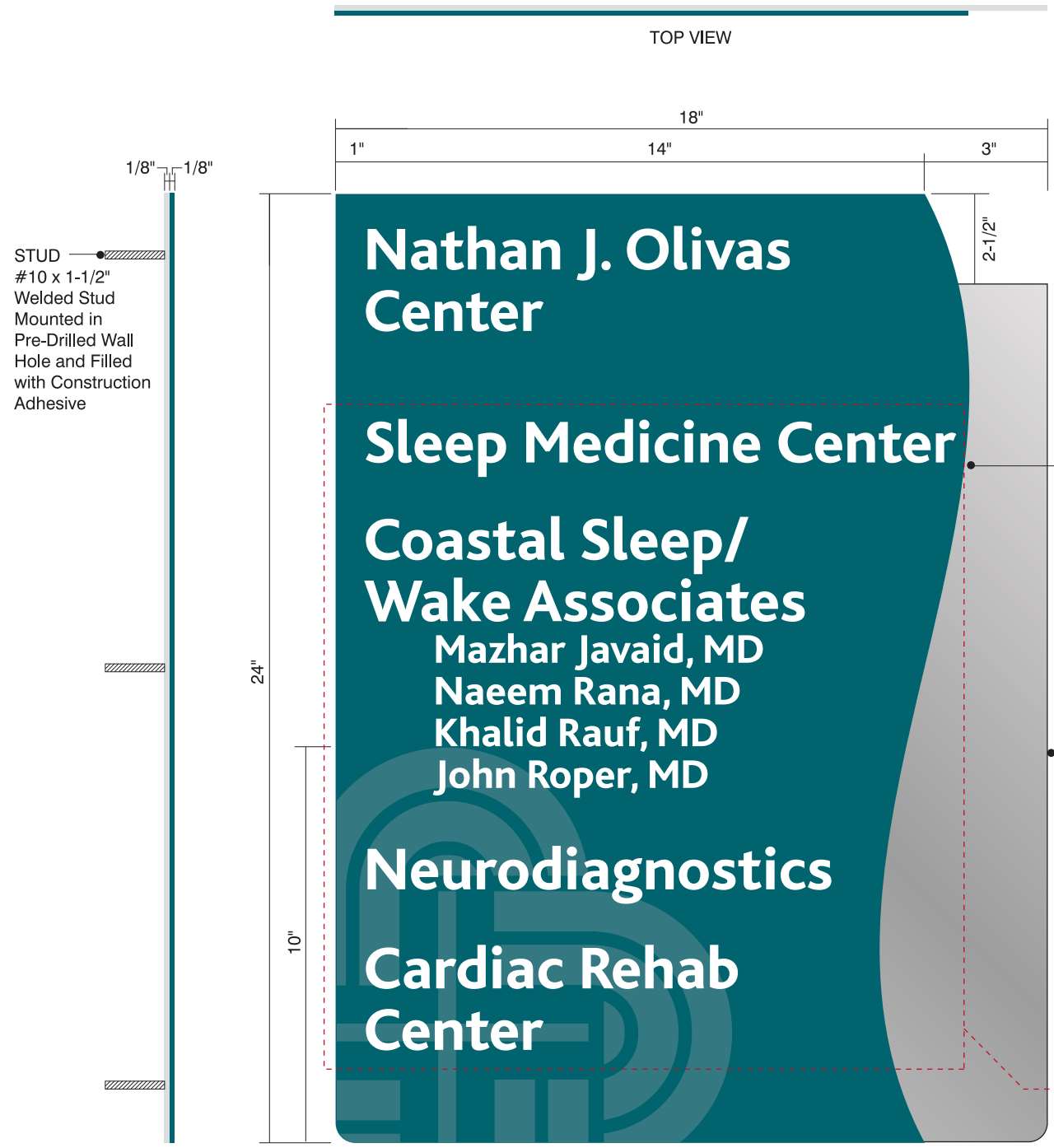
THIS ORIGINAL DESIGN IS THE SOLE PROPERTY OF IMAGE GROUP. IT CANNOT BE REPRODUCED, COPIED OR EXHIBITED IN WHOLE OR PART, WITHOUT FIRST OBTAINING WRITTEN CONSENT FROM IMAGE GROUP.

THIS SIGN IS INTENDED TO BE INSTALLED IN ACCORDANCE WITH THE REQUIREMENTS OF ARTICLE 600 OF THE NATIONAL ELECTRICAL CODE AND/OR OTHER APPLICABLE LOCAL CODES. THIS INCLUDES PROPER GROUNDING AND BONDING OF THE SIGN.

PRODUCTION APPROVAL

CLIENT APPROVAL





**SIDE VIEW**  
 Scale: 1/4" = 1"

**4 EXTERIOR WALL SIGN - EXT.10**  
 Scale: 1/4" = 1"



Existing Sign



Proposed Sign

**CLIENT INFORMATION**  
**SALINAS VALLEY**  
**MEMORIAL HOSPITAL**  
**SALINAS, CA**

**OLIVAS BLDG**  
**EXTERIOR**

**SALES REP**  
**R.REDMON**  
**DESIGNER**  
**T.WEST**  
**DESIGN NO**  
**12-103-04**  
**DATE**  
**11-08-2012**

**REVISION DATES**  
 1 11-16-2012 TW  
 2 12-03-2012 TW  
 3 12-10-2012 TW  
 4 2-05-2013 TW  
 5 02-12-2013 RLG

**VOLTAGE** 120V   
 277V



**SEATTLE • SAN DIEGO**

**MAIN OFFICE**  
 380 STEVENS AVENUE, SUITE 307  
 SOLANA BEACH, CA 92075

**PHONE:** 206.445.0774  
**WWW.IMAGEGROUPUSA.COM**

PRIMARY ELECTRICAL TO SIGN LOCATIONS IS TO BE PROVIDED BY OTHERS, 20 AMP DEDICATED CIRCUIT(S) WITH NO SHARED NEUTRALS AND A GROUND RETURNING TO THE PANEL IS REQUIRED FOR ALL INSTALLATIONS.

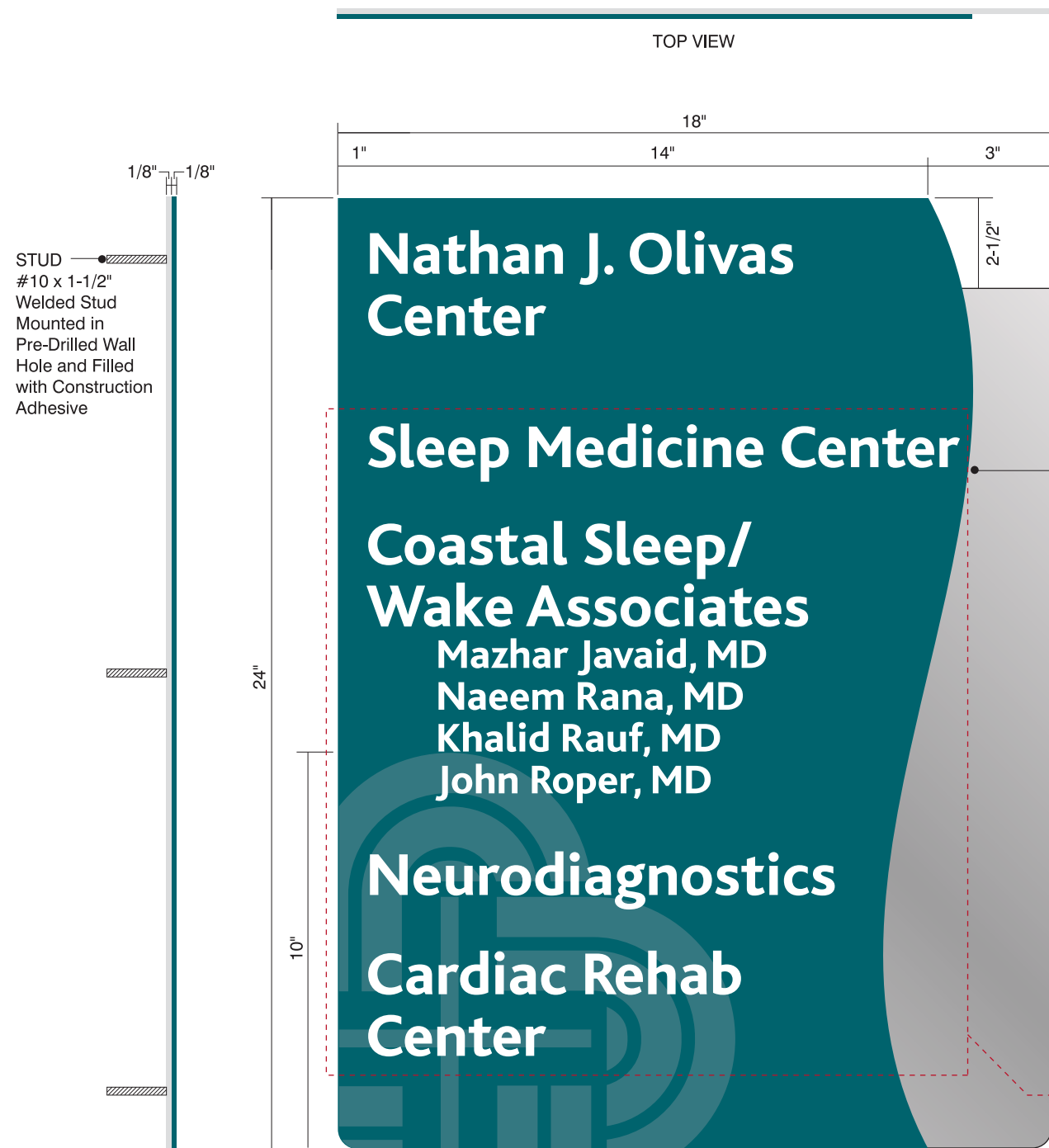
COLORS REPRESENTED IN THIS DRAWING ARE FOR PRESENTATION PURPOSES ONLY. THEY MAY NOT MATCH YOUR FINISHED PRODUCT PERFECTLY. COLOR CALL-OUTS ARE FOR A MATCH AS CLOSE AS POSSIBLE.

THIS ORIGINAL DESIGN IS THE SOLE PROPERTY OF IMAGE GROUP. IT CANNOT BE REPRODUCED, COPIED OR EXHIBITED IN WHOLE OR PART, WITHOUT FIRST OBTAINING WRITTEN CONSENT FROM IMAGE GROUP.

THIS SIGN IS INTENDED TO BE INSTALLED IN ACCORDANCE WITH THE REQUIREMENTS OF ARTICLE 600 OF THE NATIONAL ELECTRICAL CODE AND/OR OTHER APPLICABLE LOCAL CODES. THIS INCLUDES PROPER GROUNDING AND BONDING OF THE SIGN.

PRODUCTION APPROVAL

CLIENT APPROVAL



**SIDE VIEW**  
Scale: 1/4" = 1"

**5 EXTERIOR WALL SIGN - EXT.10**  
Scale: 1/4" = 1"

**FACEPLATE**  
1/8" Thick Painted Aluminum  
PMS #5473c  
Silkscreened Accent Logo is PMS #5483c  
Logo and Text - 3M Reflective White Vinyl

**BACKPLATE**  
1/8" Thick Painted Aluminum  
Matthews #30136 and Adhered to  
the Faceplate to Create Layered Look

Install: Studs and Construction Adhesive

**4**  
ADD Neurodiagnostics  
MOVE Cardiac Rehab Center to Bottom  
MOVE Sleep Medicine Center to Top  
1" h Vinyl Text  
Color: 3M Reflective White Vinyl  
Font: Bliss Extra Bold



Existing Sign



Proposed Sign

**CLIENT INFORMATION**  
**SALINAS VALLEY**  
**MEMORIAL HOSPITAL**  
**SALINAS, CA**

**OLIVAS BLDG**  
**EXTERIOR**

**SALES REP**  
**R. REDMON**  
**DESIGNER**  
**T. WEST**  
**DESIGN NO**  
**12-103-04**  
**DATE**  
**11-08-2012**

**REVISION DATES**  
**1 11-16-2012 TW**  
**2 12-03-2012 TW**  
**3 12-10-2012 TW**  
**4 2-05-2013 TW**  
**5 02-12-2013 RLG**

**VOLTAGE** **120V**   
**277V**



**SEATTLE • SAN DIEGO**

**MAIN OFFICE**  
380 STEVENS AVENUE, SUITE 307  
SOLANA BEACH, CA 92075

**PHONE: 206.445.0774**  
**WWW.IMAGEGROUPUSA.COM**

PRIMARY ELECTRICAL TO SIGN LOCATIONS IS TO BE PROVIDED BY OTHERS, 20 AMP DEDICATED CIRCUIT(S) WITH NO SHARED NEUTRALS AND A GROUND RETURNING TO THE PANEL IS REQUIRED FOR ALL INSTALLATIONS.

COLORS REPRESENTED IN THIS DRAWING ARE FOR PRESENTATION PURPOSES ONLY. THEY MAY NOT MATCH YOUR FINISHED PRODUCT PERFECTLY. COLOR CALL-OUTS ARE FOR A MATCH AS CLOSE AS POSSIBLE.

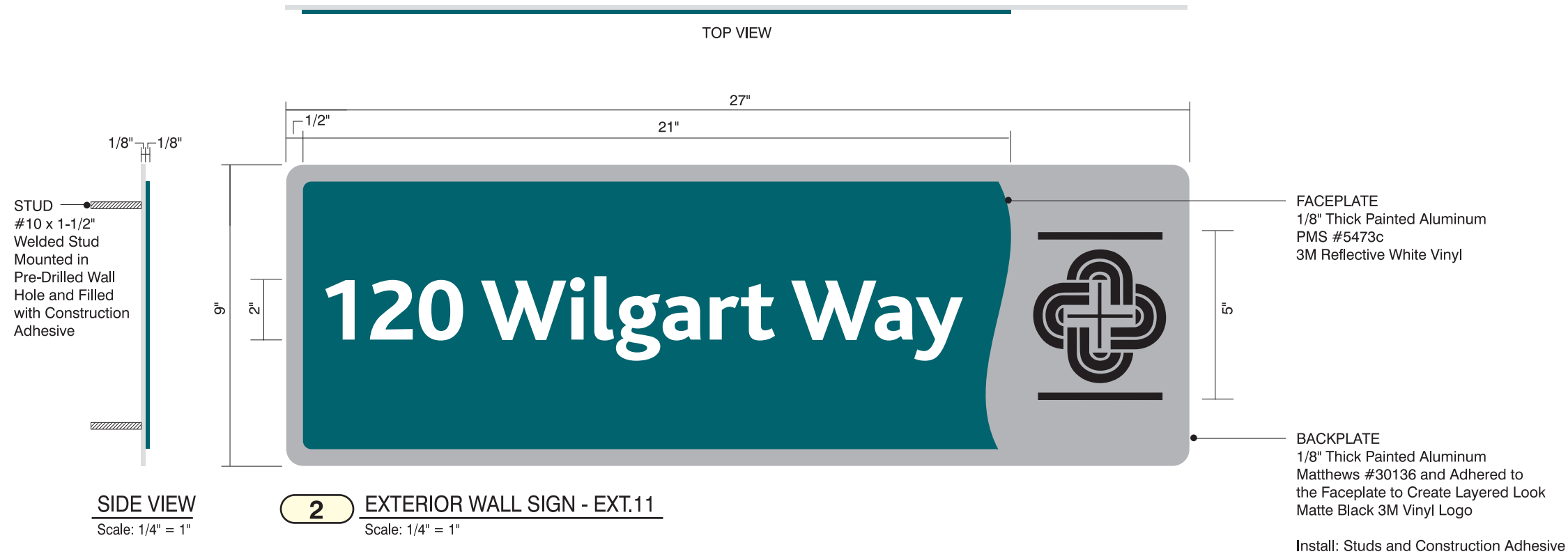
THIS ORIGINAL DESIGN IS THE SOLE PROPERTY OF IMAGE GROUP. IT CANNOT BE REPRODUCED, COPIED OR EXHIBITED IN WHOLE OR PART, WITHOUT FIRST OBTAINING WRITTEN CONSENT FROM IMAGE GROUP.

THIS SIGN IS INTENDED TO BE INSTALLED IN ACCORDANCE WITH THE REQUIREMENTS OF ARTICLE 600 OF THE NATIONAL ELECTRICAL CODE AND/OR OTHER APPLICABLE LOCAL CODES. THIS INCLUDES PROPER GROUNDING AND BONDING OF THE SIGN.

PRODUCTION APPROVAL

CLIENT APPROVAL

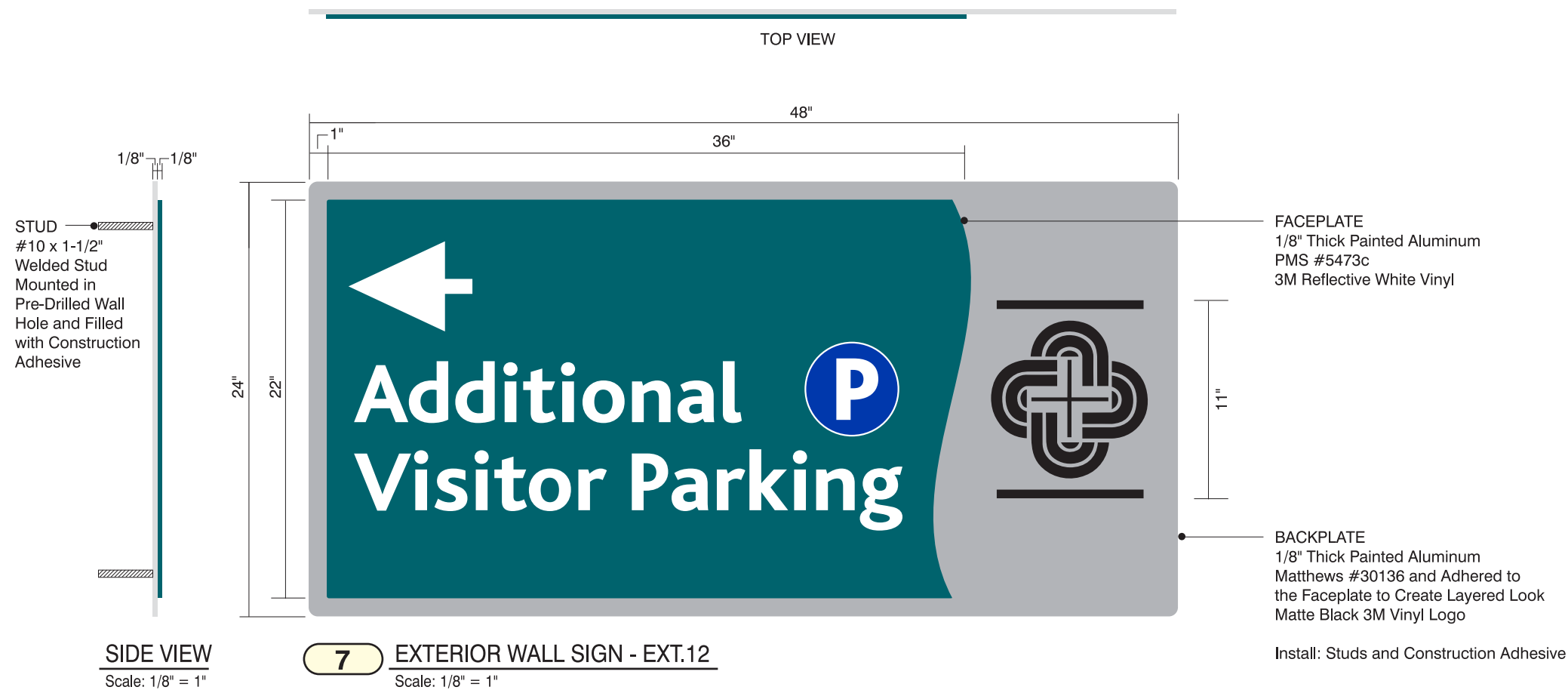




EXISTING SIGN



PROPOSED SIGN



EXISTING SIGN



PROPOSED SIGN

CLIENT INFORMATION  
**SALINAS VALLEY  
MEMORIAL HOSPITAL  
SALINAS, CA**

**OLIVAS BLDG  
EXTERIOR**

SALES REP  
**R.REDMON**  
DESIGNER  
**T.WEST**  
DESIGN NO  
**12-103-04**  
DATE  
**11-08-2012**

REVISION DATES  
1 11-16-2012 TW  
2 12-03-2012 TW  
3 12-10-2012 TW  
4 2-05-2013 TW  
5 02-12-2013 RLG

VOLTAGE **120V**   
**277V**



**SEATTLE • SAN DIEGO**

**MAIN OFFICE**  
380 STEVENS AVENUE, SUITE 307  
SOLANA BEACH, CA 92075

PHONE: 206.445.0774  
WWW.IMAGEGROUPUSA.COM

PRIMARY ELECTRICAL TO SIGN LOCATIONS IS TO BE PROVIDED BY OTHERS, 20 AMP DEDICATED CIRCUITS WITH NO SHARED NEUTRALS AND A GROUND RETURNING TO THE PANEL IS REQUIRED FOR ALL INSTALLATIONS.

COLORS REPRESENTED IN THIS DRAWING ARE FOR PRESENTATION PURPOSES ONLY. THEY MAY NOT MATCH YOUR FINISHED PRODUCT PERFECTLY. COLOR CALL-OUTS ARE FOR A MATCH AS CLOSE AS POSSIBLE.

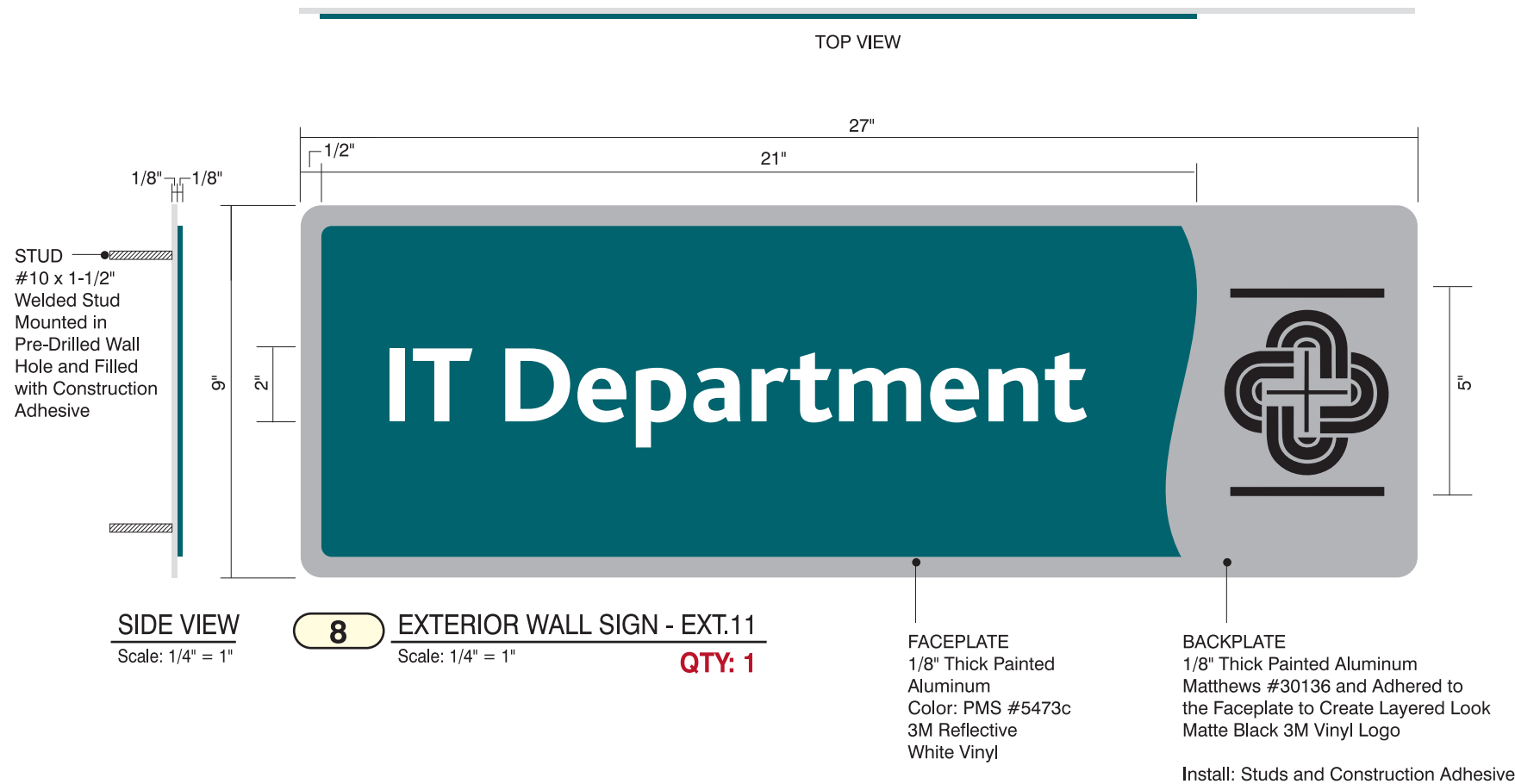
THIS ORIGINAL DESIGN IS THE SOLE PROPERTY OF IMAGE GROUP. IT CANNOT BE REPRODUCED, COPIED OR EXHIBITED IN WHOLE OR PART, WITHOUT FIRST OBTAINING WRITTEN CONSENT FROM IMAGE GROUP.

THIS SIGN IS INTENDED TO BE INSTALLED IN ACCORDANCE WITH THE REQUIREMENTS OF ARTICLE 600 OF THE NATIONAL ELECTRICAL CODE AND/OR OTHER APPLICABLE LOCAL CODES. THIS INCLUDES PROPER GROUNDING AND BONDING OF THE SIGN.

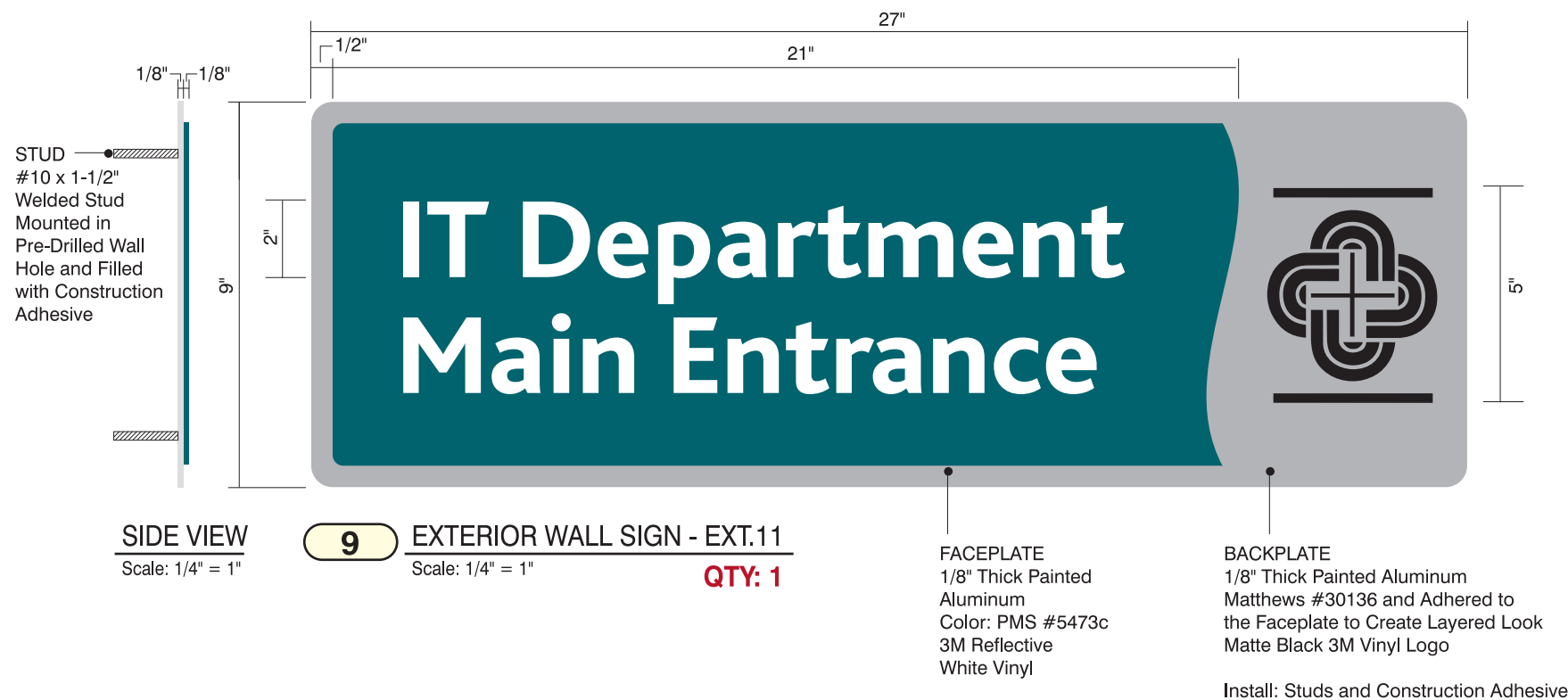
PRODUCTION APPROVAL

CLIENT APPROVAL





IT DEPARTMENT - DOOR #1



IT DEPARTMENT - DOOR #2

# Y.J. INC.

25379 Wayne Mills Pl # 272  
Valencia, CA 91355

Sign Design Based on 2010 CBC

DATE 12/28/2012

TEL: (661) 259-0700

FAX: (661) 259-0900

Job # JTS\_79412  
Project Salinas Valley Memorial Medical - Dir-16  
Job Location 444-450 East Romie Lane  
Salinas, CA

### INPUT DATA

Exposure category (B, C or D)	=	C
Importance factor, pg 77, (0.87, 1.0 or 1.15)	I	= 1.00 Category II
Basic wind speed (3 sec. gust wind)	V	= 90 mph
Topographic factor (Sec.6.5.7.2, pg 26 & 45)	K <sub>zt</sub>	= 1 Flat
Height to Top	h	= 8.75 ft
Vertical dimension (for wall, s = h)	s	= 8.75 ft
Horizontal dimension	B	= 3.08 ft
Dimension of return corner	L <sub>r</sub>	= 0.5 ft
Moment Arm	A	= 5 ft

### DESIGN SUMMARY

Max horizontal wind pressure	p	=	21 psf
Max total horizontal force at centroid of base	F	=	<b>0.566</b> kips
Max bending moment at centroid of base	M	=	<b>2.830</b> kip-ft

### ANALYSIS

#### Velocity pressure

$$q_h = 0.00256 K_z K_{zt} K_d V^2 I = 14.98 \text{ psf}$$

where:

q<sub>h</sub> = velocity pressure at mean roof height, h, (Eq. 6-15, page 27)

K<sub>z</sub> = velocity pressure exposure coefficient = 0.85

evaluated at height, h, (Tab. 6-3, Case 1, pg 79)

K<sub>d</sub> = wind directionality factor. (Tab. 6-4, for building, page 80) = 0.85

h = height of top = 8.75 ft

#### Wind Force Case A: resultant force through the geometric center (Sec. 6.5.14 & Fig. 6-20)

p = q<sub>h</sub> G C<sub>f</sub> = 21 psf

F = p A<sub>s</sub> = 0.57 kips

M = F (h - 0.5s) for sign, F (0.55h) for wall = 2.83 kip-ft

where: G = gust effect factor. (Sec. 6.5.8, page 26) = 0.85

C<sub>f</sub> = net force coefficient. (Fig. 6-20, page 73) = 1.60

A<sub>s</sub> = B s = 27.0 ft<sup>2</sup>

### Footing Design (Nonconstrained)

Diameter = 2.00 FT

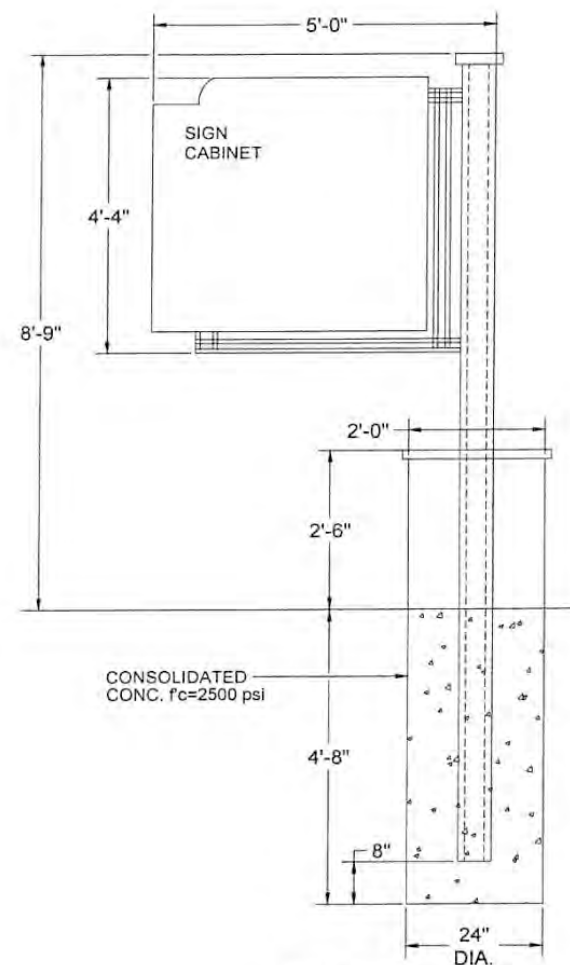
Soil Pressure = 100.00 PSF/FT

S<sub>1</sub> = 311.33 PSF

A = 2.13 FT

EMBED. = 4.63 FT

**24 in. Dia. Depth = 4' - 8"**



ELEVATION

N.T.S.



CLIENT INFORMATION  
SALINAS VALLEY  
MEMORIAL HOSPITAL  
SALINAS, CA

OLIVAS BLDG  
EXTERIOR

SALES REP

R.REDMON

DESIGNER

T.WEST

DESIGN NO

12-103-04

DATE

11-08-2012

REVISION DATES

1 11-16-2012 TW

2 12-03-2012 TW

3 12-10-2012 TW

4 2-05-2013 TW

5 02-12-2013 RLG

VOLTAGE 120V

277V



SEATTLE • SAN DIEGO

MAIN OFFICE

380 STEVENS AVENUE, SUITE 307  
SOLANA BEACH, CA 92075

PHONE: 206.445.0774

WWW.IMAGEGROUPUSA.COM

PRIMARY ELECTRICAL TO SIGN LOCATIONS IS TO BE PROVIDED BY OTHERS. 20 AMP DEDICATED CIRCUIT(S) WITH NO SHARED NEUTRALS AND A GROUND RETURNING TO THE PANEL IS REQUIRED FOR ALL INSTALLATIONS.

COLORS REPRESENTED IN THIS DRAWING ARE FOR PRESENTATION PURPOSES ONLY. THEY MAY NOT MATCH YOUR FINISHED PRODUCT PERFECTLY. COLOR CALL-OUTS ARE FOR A MATCH AS CLOSE AS POSSIBLE.

THIS ORIGINAL DESIGN IS THE SOLE PROPERTY OF IMAGE GROUP. IT CANNOT BE REPRODUCED, COPIED OR EXHIBITED IN WHOLE OR PART, WITHOUT FIRST OBTAINING WRITTEN CONSENT FROM IMAGE GROUP.

THIS SIGN IS INTENDED TO BE INSTALLED IN ACCORDANCE WITH THE REQUIREMENTS OF ARTICLE 600 OF THE NATIONAL ELECTRICAL CODE AND/OR OTHER APPLICABLE LOCAL CODES. THIS INCLUDES PROPER GROUNDING AND BONDING OF THE SIGN.

PRODUCTION APPROVAL

CLIENT APPROVAL