



Lon: -117°15'41.13\"/>

Lat: 32°59'36.25N

Floor 1 - Cardiac Rehab

Olivas Building

**Salinas Valley Memorial Hospital
120 Wilgart Way
Salinas, CA 93901**

REV 4 December 6, 2012



CARDIAC REHAB

SALES REP
R. REDMON
 DESIGNER
T. WEST
 DESIGN NO
12-102-04
 DATE
10-29-2012

REVISION DATES
 ① 11-05-2012 TW
 ② 11-15-2012 TW
 ③ 12-03-2012 TW
 ④ 12-06-2012 TW
 ⑤

VOLTAGE **120V**
240V



SEATTLE • SAN DIEGO

MAIN OFFICE
 380 STEVENS AVENUE, SUITE 307
 SOLANA BEACH, CA 92075

PHONE: 206.445.0774
 WWW.IMAGEGROUPUSA.COM

PRIMARY ELECTRICAL TO SIGN
 LOCATIONS IS TO BE PROVIDED BY
 OTHERS. 20 AMP DEDICATED
 CIRCUIT(S) WITH NO SHARED NEUTRALS
 AND A GROUND RETURNING TO THE
 PANEL IS REQUIRED FOR ALL
 INSTALLATIONS.

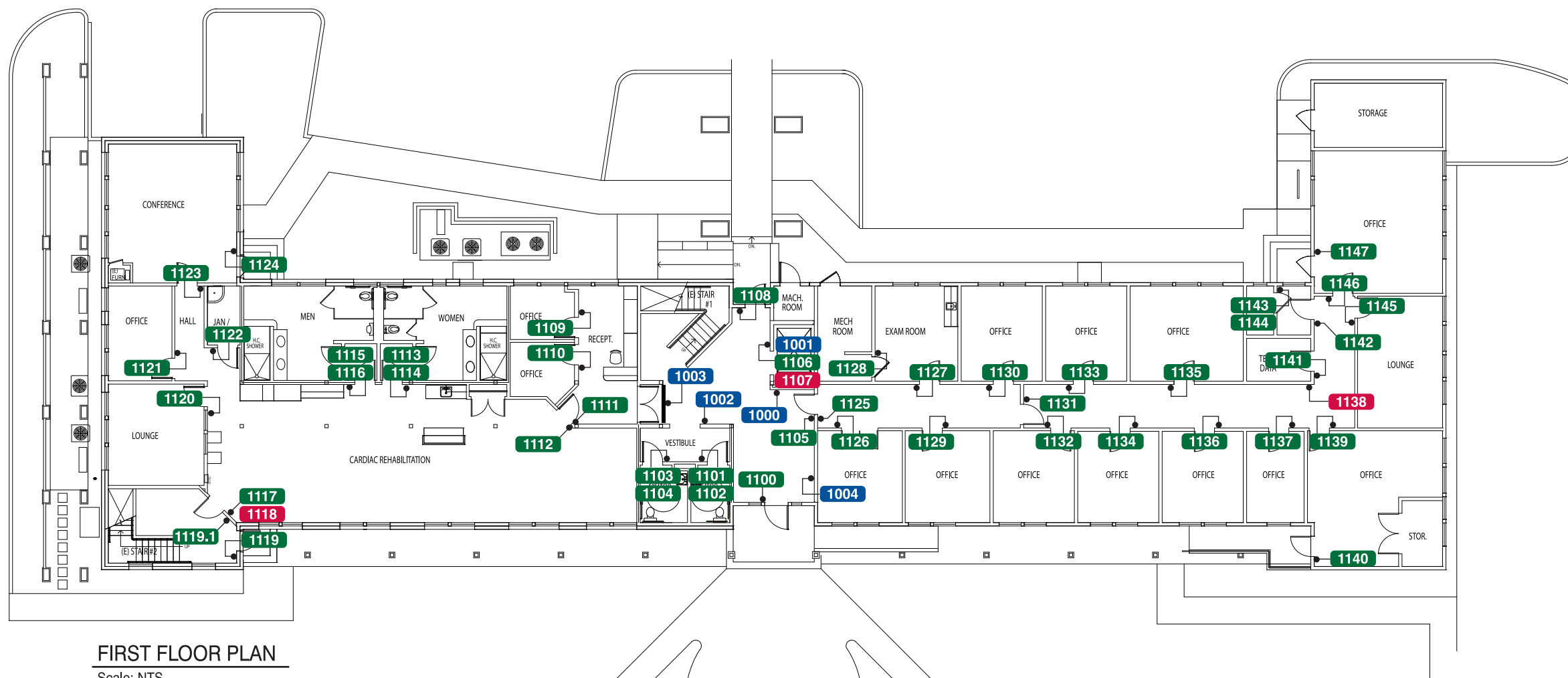
COLORS REPRESENTED IN THIS
 DRAWING ARE FOR PRESENTATION
 PURPOSES ONLY. THEY MAY NOT MATCH
 YOUR FINISHED PRODUCT PERFECTLY.
 COLOR CALL-OUTS ARE FOR A MATCH
 AS CLOSE AS POSSIBLE.

THIS ORIGINAL DESIGN IS THE SOLE
 PROPERTY OF IMAGE GROUP. IT
 CANNOT BE REPRODUCED, COPIED OR
 EXHIBITED IN WHOLE OR PART,
 WITHOUT FIRST OBTAINING WRITTEN
 CONSENT FROM IMAGE GROUP.

THIS SIGN IS INTENDED TO BE
 INSTALLED IN ACCORDANCE WITH THE
 REQUIREMENTS OF ARTICLE 600 OF THE
 NATIONAL ELECTRICAL CODE AND/OR
 OTHER APPLICABLE LOCAL CODES. THIS
 INCLUDES PROPER GROUNDING AND
 BONDING OF THE SIGN.

PRODUCTION APPROVAL

CLIENT APPROVAL



FIRST FLOOR PLAN

Scale: NTS

Sign Locations 1112, 1125 and 1131 not used.

SALES REP
R. REDMON
 DESIGNER
T. WEST
 DESIGN NO
12-102-04
 DATE
10-29-2012

REVISION DATES
 1 11-05-2012 TW
 2 11-15-2012 TW
 3 12-03-2012 TW
 4 12-06-2012 TW
 5

VOLTAGE **120V**
240V



SEATTLE • SAN DIEGO

MAIN OFFICE
 380 STEVENS AVENUE, SUITE 307
 SOLANA BEACH, CA 92075

PHONE: 206.445.0774
 WWW.IMAGEGROUPUSA.COM

PRIMARY ELECTRICAL TO SIGN
 LOCATIONS IS TO BE PROVIDED BY
 OTHERS. 20 AMP DEDICATED
 CIRCUIT(S) WITH NO SHARED NEUTRALS
 AND A GROUND RETURNING TO THE
 PANEL IS REQUIRED FOR ALL
 INSTALLATIONS.

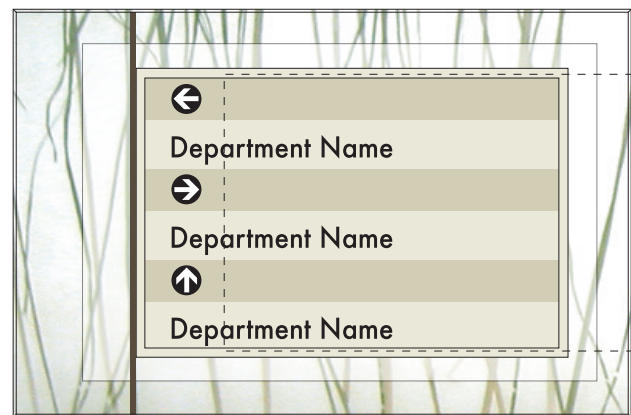
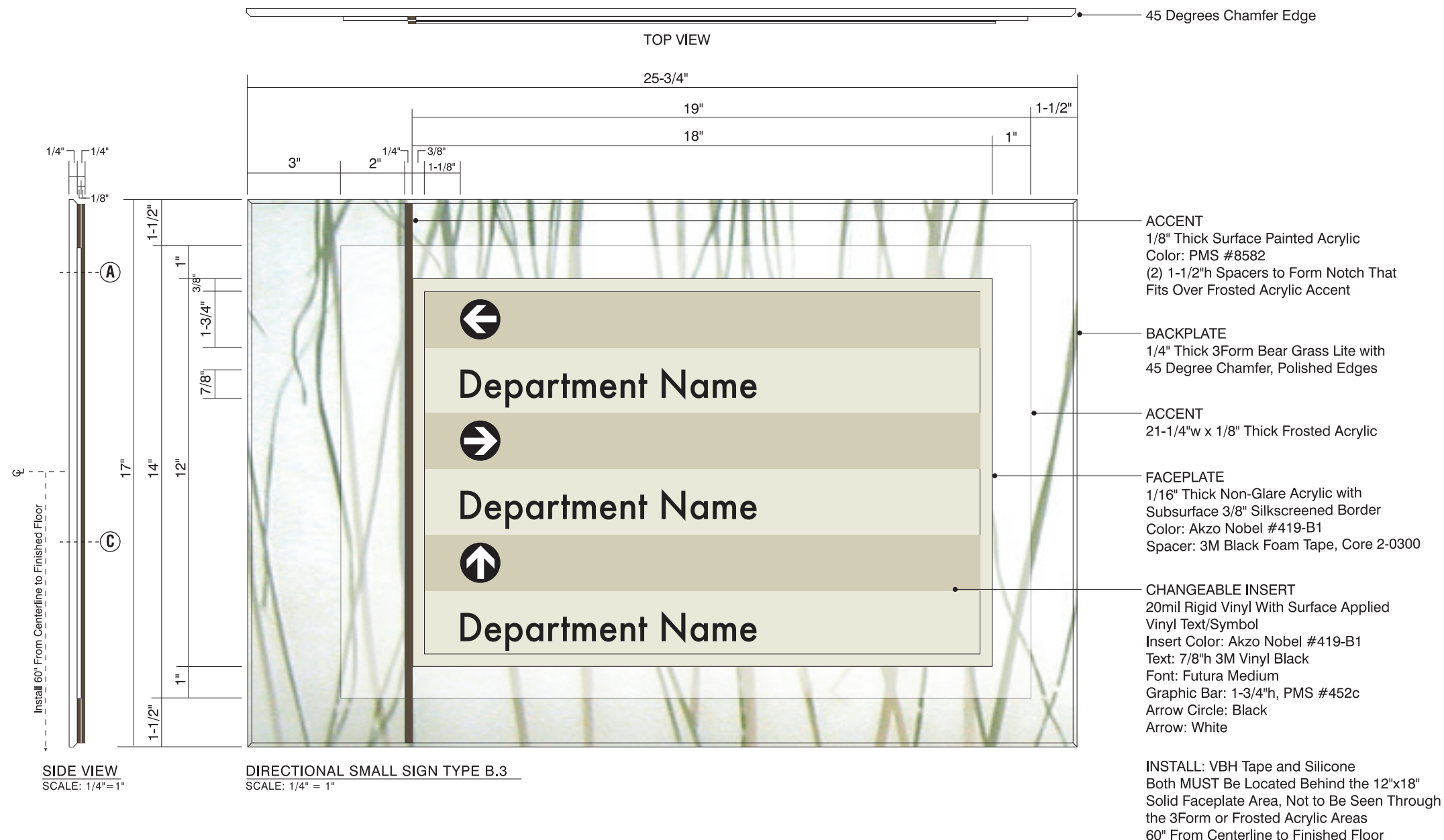
COLORS REPRESENTED IN THIS
 DRAWING ARE FOR PRESENTATION
 PURPOSES ONLY. THEY MAY NOT MATCH
 YOUR FINISHED PRODUCT PERFECTLY.
 COLOR CALL-OUTS ARE FOR A MATCH
 AS CLOSE AS POSSIBLE.

THIS ORIGINAL DESIGN IS THE SOLE
 PROPERTY OF IMAGE GROUP. IT
 CANNOT BE REPRODUCED, COPIED OR
 EXHIBITED IN WHOLE OR PART,
 WITHOUT FIRST OBTAINING WRITTEN
 CONSENT FROM IMAGE GROUP.

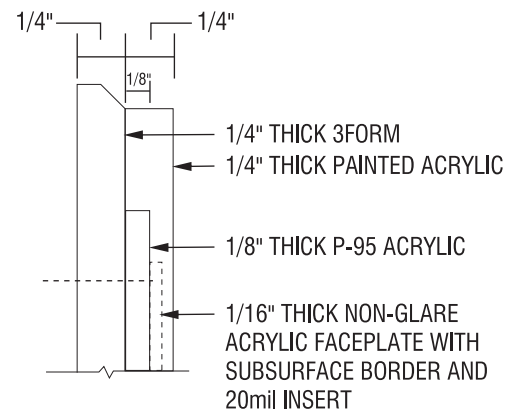
THIS SIGN IS INTENDED TO BE
 INSTALLED IN ACCORDANCE WITH THE
 REQUIREMENTS OF ARTICLE 600 OF THE
 NATIONAL ELECTRICAL CODE AND/OR
 OTHER APPLICABLE LOCAL CODES. THIS
 INCLUDES PROPER GROUNDING AND
 BONDING OF THE SIGN.

PRODUCTION APPROVAL

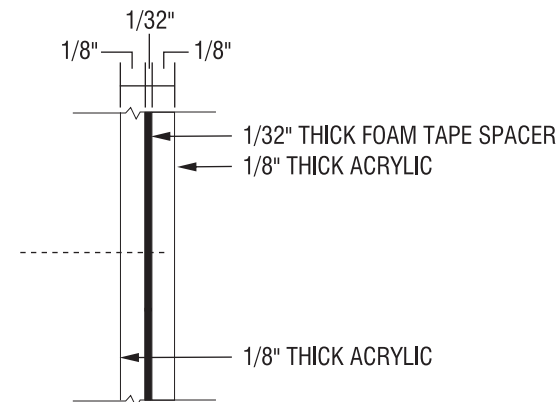
CLIENT APPROVAL



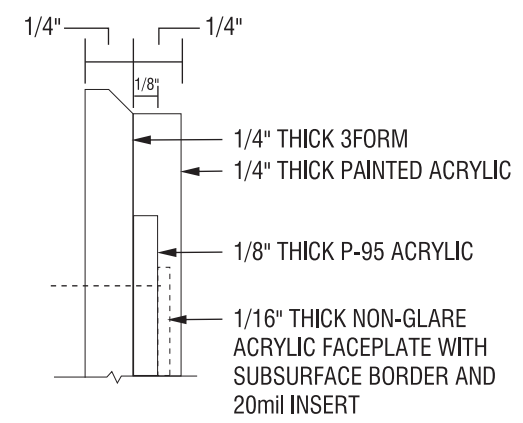
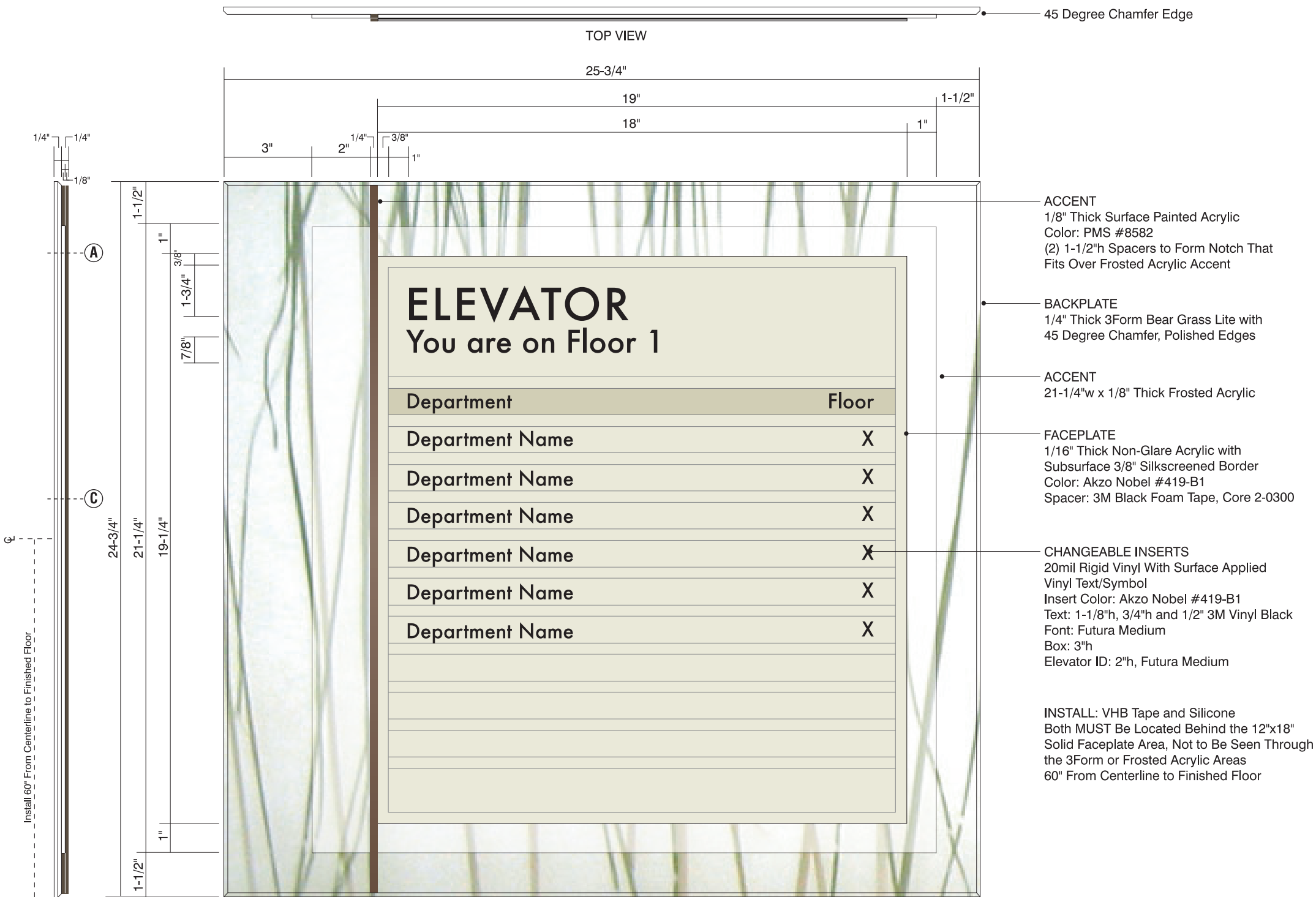
DETAIL A - INSERT
 SCALE: 1/8" = 1"



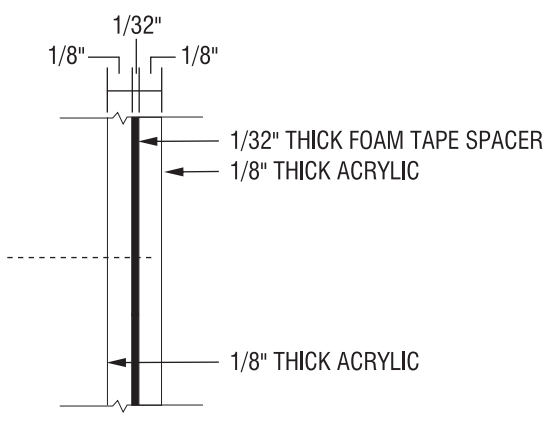
DETAIL A - SECTION VIEW
 SCALE: 1" = 1"



DETAIL C - SECTION VIEW
 SCALE: 1" = 1"



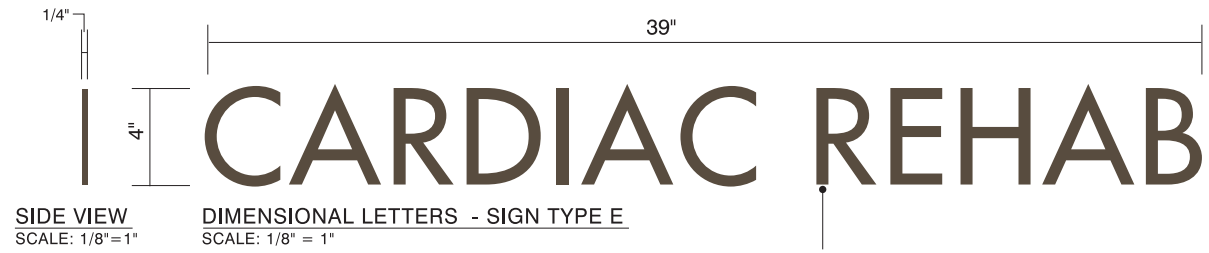
DETAIL A - SECTION VIEW
 SCALE: 1"=1"



DETAIL C - SECTION VIEW
 SCALE: 1"=1"

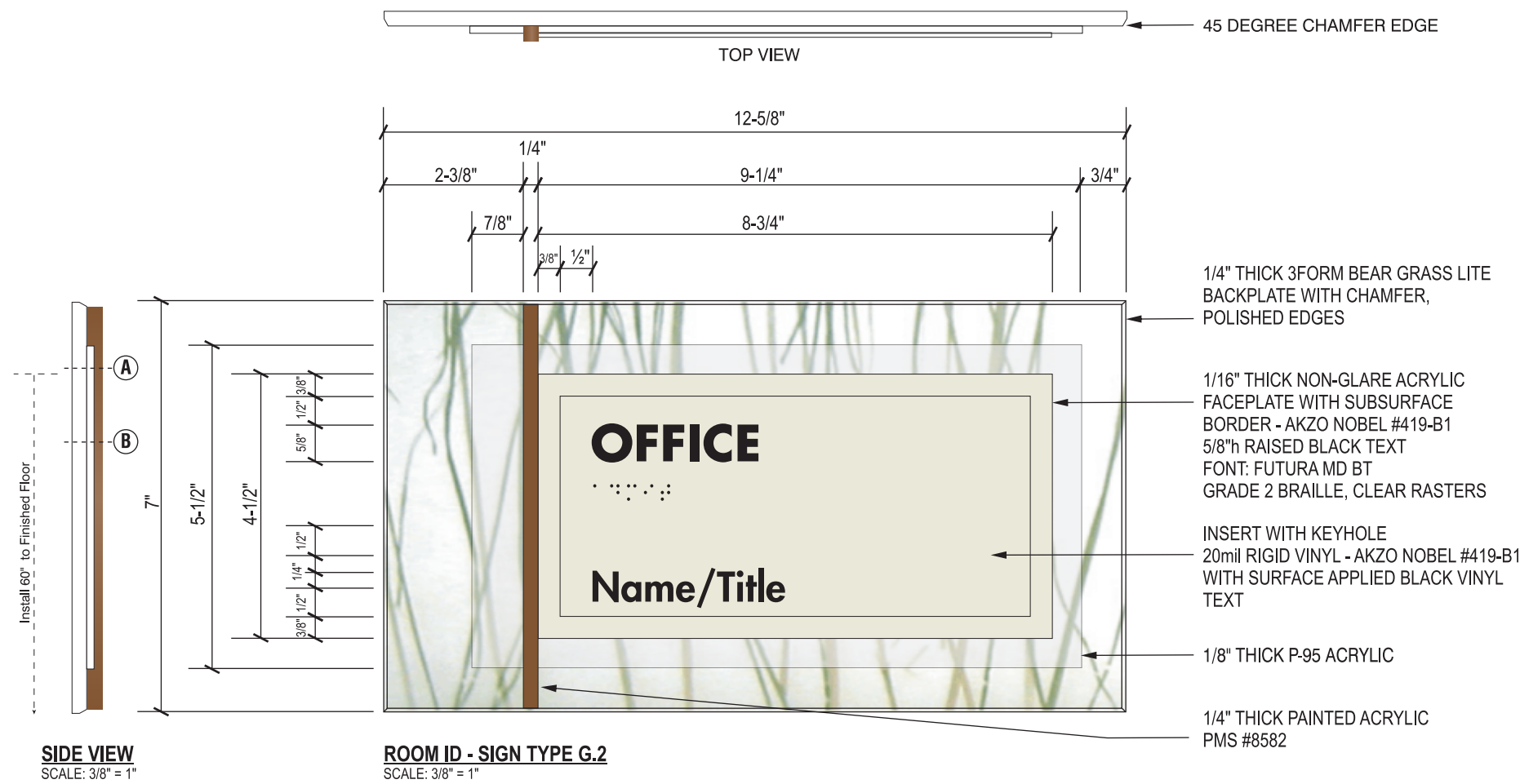
SIDE VIEW
 SCALE: 1/4"=1"

ELEVATOR DIRECTORY SMALL - SIGN TYPE C.1
 SCALE: 1/4"=1"

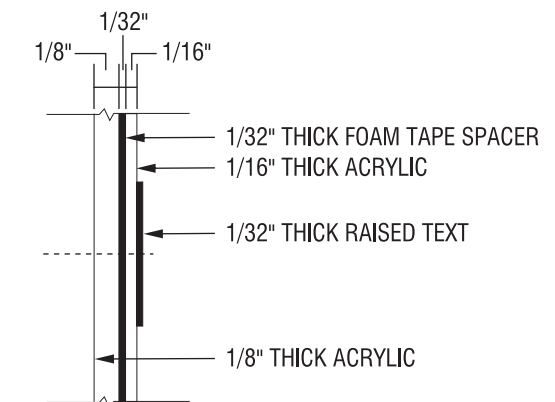
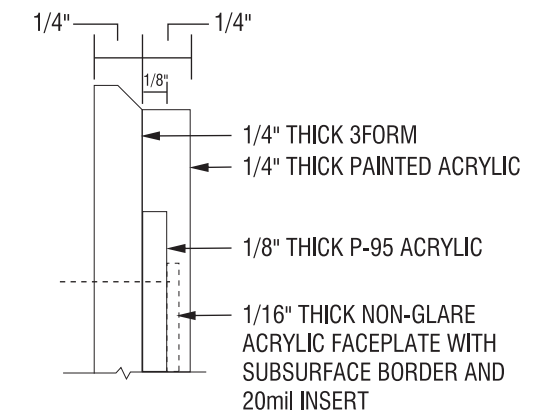


1/4" THICK LAMINATED ACRYLIC
WITH PAINTED RETURNS
COLOR: WILSONART SATIN BRUSHED
MEDIUM BRONZE #6262-419
FONT: FUTURA MEDIUM

INSTALL: VHB TAPE



NOTE: BRAILLE SHOWN BLACK FOR ILLUSTRATION PURPOSES ONLY
BRAILLE IS CLEAR RASTERS



CLIENT INFORMATION
**SALINAS VALLEY
MEMORIAL HOSPITAL
SALINAS, CA**

CARDIAC REHAB

SALES REP
R. REDMON
DESIGNER
T. WEST
DESIGN NO
12-102-04
DATE
10-29-2012

REVISION DATES

1	11-05-2012	TW
2	11-15-2012	TW
3	12-03-2012	TW
4	12-06-2012	TW
5		

VOLTAGE **120V**
240V

Image GROUP
ENVIRONMENTAL GRAPHICS • SIGNAGE • BATHROOMS • CORPORATE BRANDING
SEATTLE • SAN DIEGO

MAIN OFFICE
380 STEVENS AVENUE, SUITE 307
SOLANA BEACH, CA 92075

PHONE: 206.445.0774
WWW.IMAGEGROUPUSA.COM

PRIMARY ELECTRICAL TO SIGN LOCATIONS IS TO BE PROVIDED BY OTHERS. 20 AMP DEDICATED CIRCUIT(S) WITH NO SHARED NEUTRALS AND A GROUND RETURNING TO THE PANEL IS REQUIRED FOR ALL INSTALLATIONS.

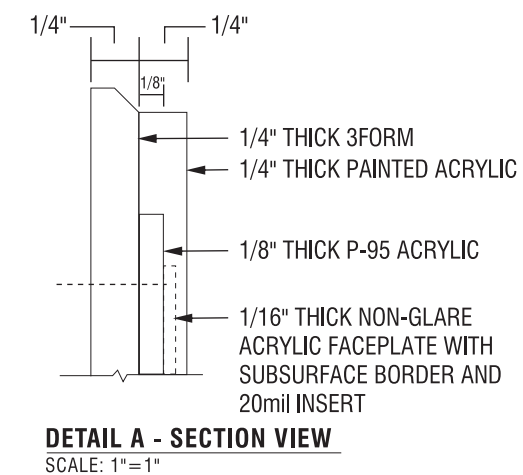
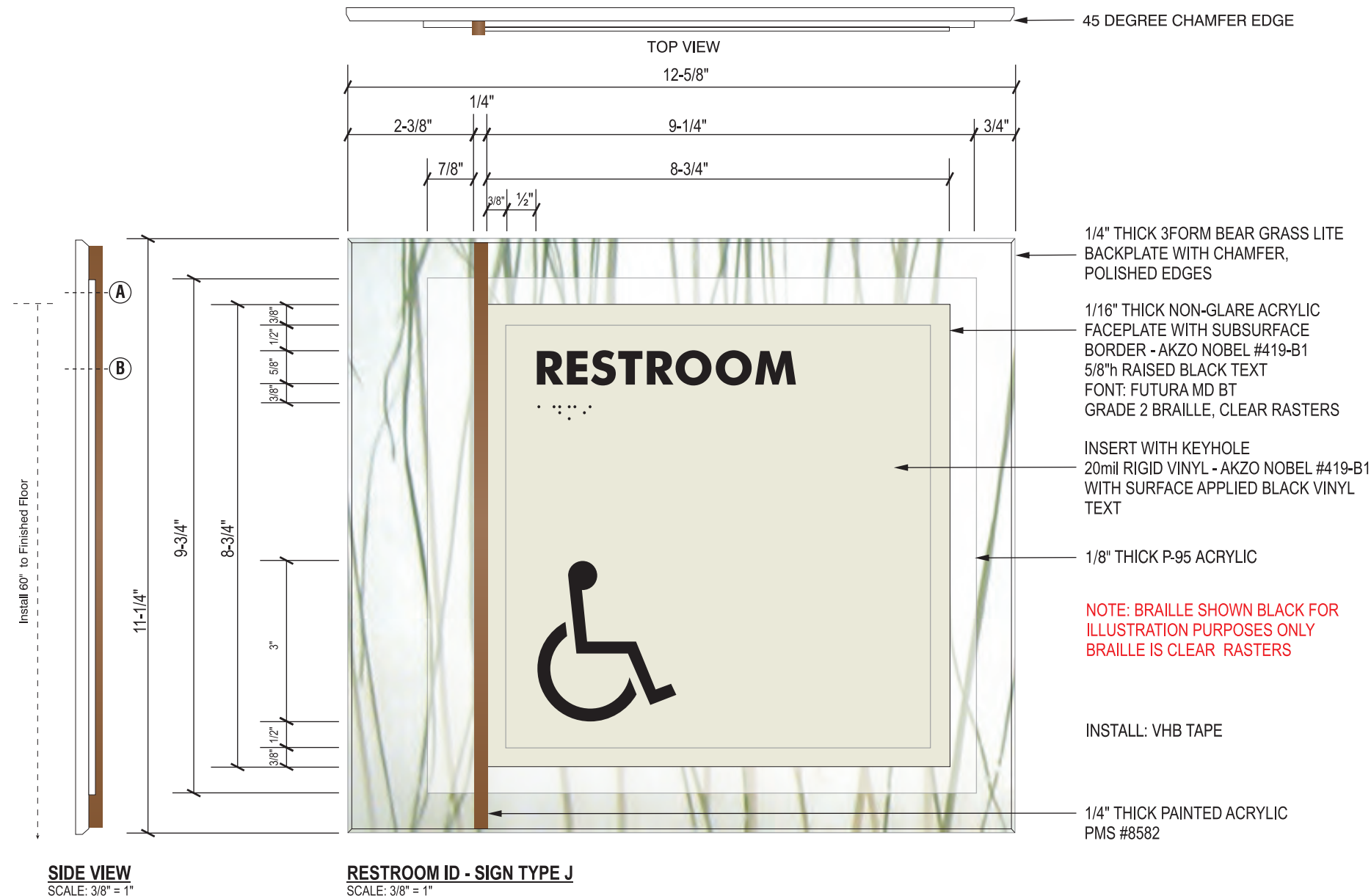
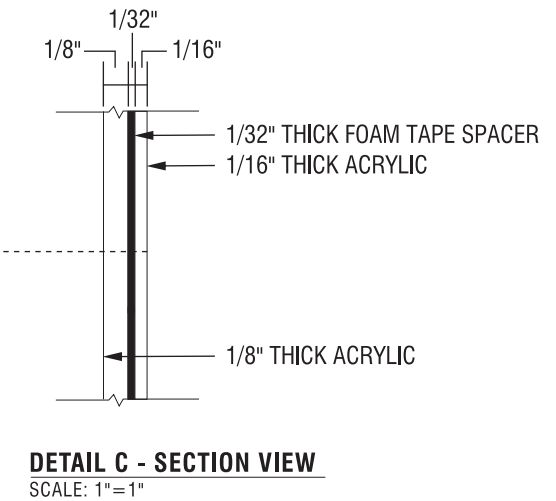
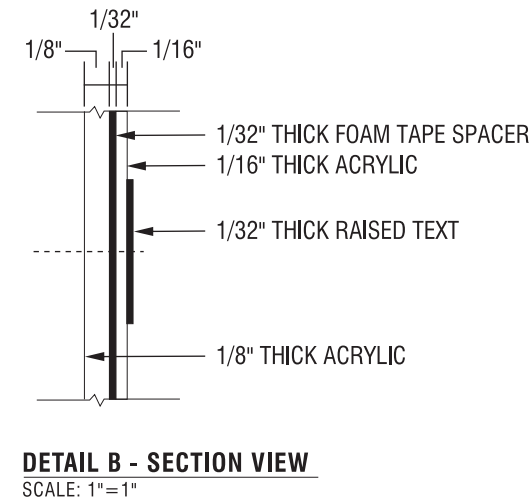
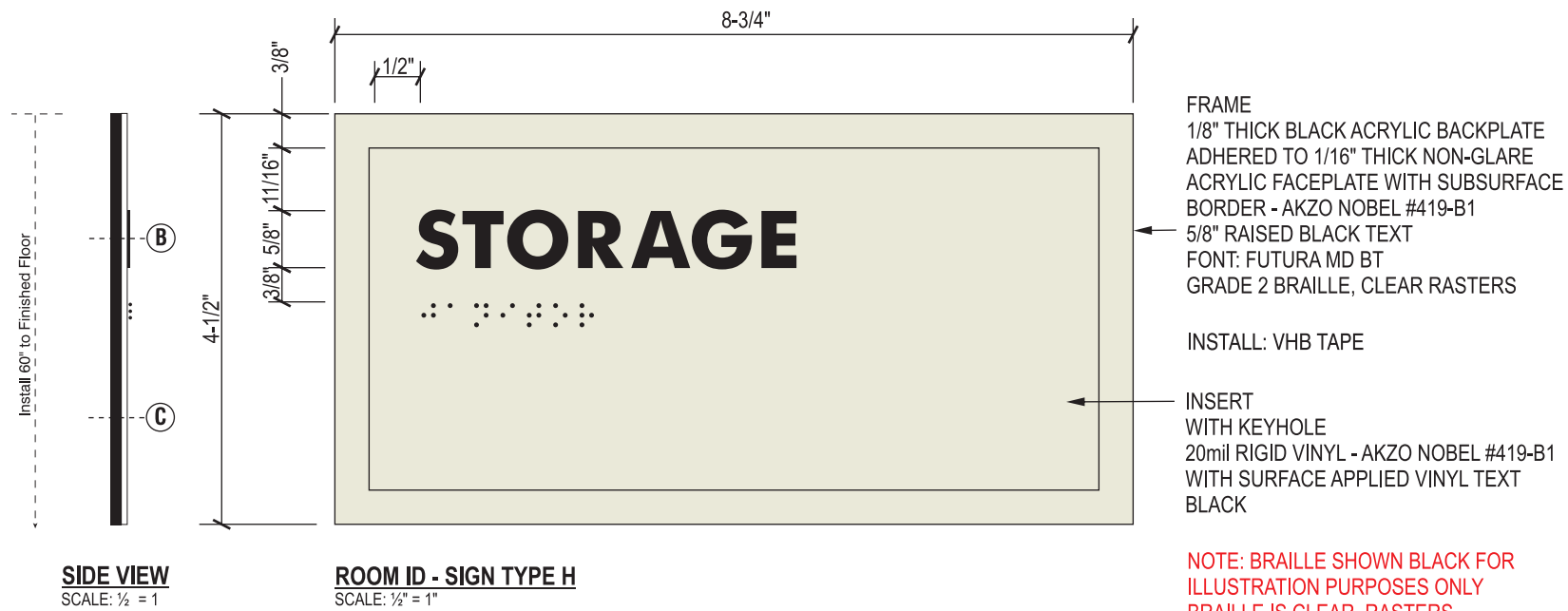
COLORS REPRESENTED IN THIS DRAWING ARE FOR PRESENTATION PURPOSES ONLY. THEY MAY NOT MATCH YOUR FINISHED PRODUCT PERFECTLY. COLOR CALL-OUTS ARE FOR A MATCH AS CLOSE AS POSSIBLE.

THIS ORIGINAL DESIGN IS THE SOLE PROPERTY OF IMAGE GROUP. IT CANNOT BE REPRODUCED, COPIED OR EXHIBITED IN WHOLE OR PART, WITHOUT FIRST OBTAINING WRITTEN CONSENT FROM IMAGE GROUP.

THIS SIGN IS INTENDED TO BE INSTALLED IN ACCORDANCE WITH THE REQUIREMENTS OF ARTICLE 600 OF THE NATIONAL ELECTRICAL CODE AND/OR OTHER APPLICABLE LOCAL CODES. THIS INCLUDES PROPER GROUNDING AND BONDING OF THE SIGN.

PRODUCTION APPROVAL

CLIENT APPROVAL



CLIENT INFORMATION
**SALINAS VALLEY
MEMORIAL HOSPITAL
SALINAS, CA**

CARDIAC REHAB

SALES REP
R. REDMON
DESIGNER
T. WEST
DESIGN NO
12-102-04
DATE
10-29-2012

REVISION DATES
1 11-05-2012 TW
2 11-15-2012 TW
3 12-03-2012 TW
4 12-06-2012 TW
5

VOLTAGE **120V**
240V



SEATTLE • SAN DIEGO

MAIN OFFICE
380 STEVENS AVENUE, SUITE 307
SOLANA BEACH, CA 92075

PHONE: 206.445.0774
WWW.IMAGEGROUPUSA.COM

PRIMARY ELECTRICAL TO SIGN LOCATIONS IS TO BE PROVIDED BY OTHERS. 20 AMP DEDICATED CIRCUIT(S) WITH NO SHARED NEUTRALS AND A GROUND RETURNING TO THE PANEL IS REQUIRED FOR ALL INSTALLATIONS.

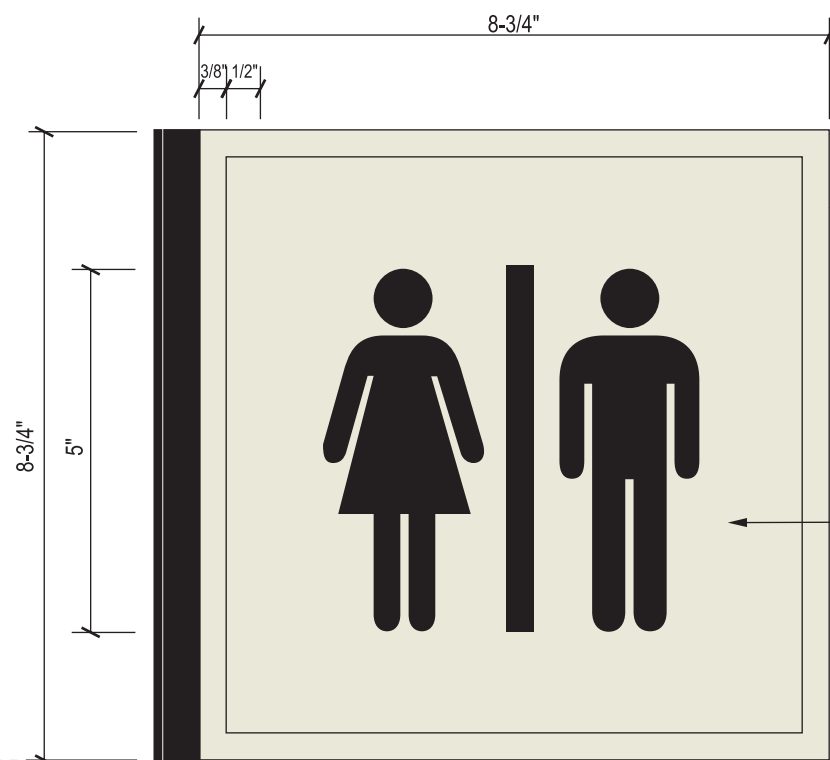
COLORS REPRESENTED IN THIS DRAWING ARE FOR PRESENTATION PURPOSES ONLY. THEY MAY NOT MATCH YOUR FINISHED PRODUCT PERFECTLY. COLOR CALL-OUTS ARE FOR A MATCH AS CLOSE AS POSSIBLE.

THIS ORIGINAL DESIGN IS THE SOLE PROPERTY OF IMAGE GROUP. IT CANNOT BE REPRODUCED, COPIED OR EXHIBITED IN WHOLE OR PART, WITHOUT FIRST OBTAINING WRITTEN CONSENT FROM IMAGE GROUP.

THIS SIGN IS INTENDED TO BE INSTALLED IN ACCORDANCE WITH THE REQUIREMENTS OF ARTICLE 600 OF THE NATIONAL ELECTRICAL CODE AND/OR OTHER APPLICABLE LOCAL CODES. THIS INCLUDES PROPER GROUNDING AND BONDING OF THE SIGN.

PRODUCTION APPROVAL

CLIENT APPROVAL



FRAME
1/8" THICK BLACK ACRYLIC BACKPLATE
ADHERED TO 1/16" THICK NON-GLARE
ACRYLIC FACEPLATE WITH SUBSURFACE
BORDER - AKZO NOBEL #419-B1

INSTALL: BRACKET

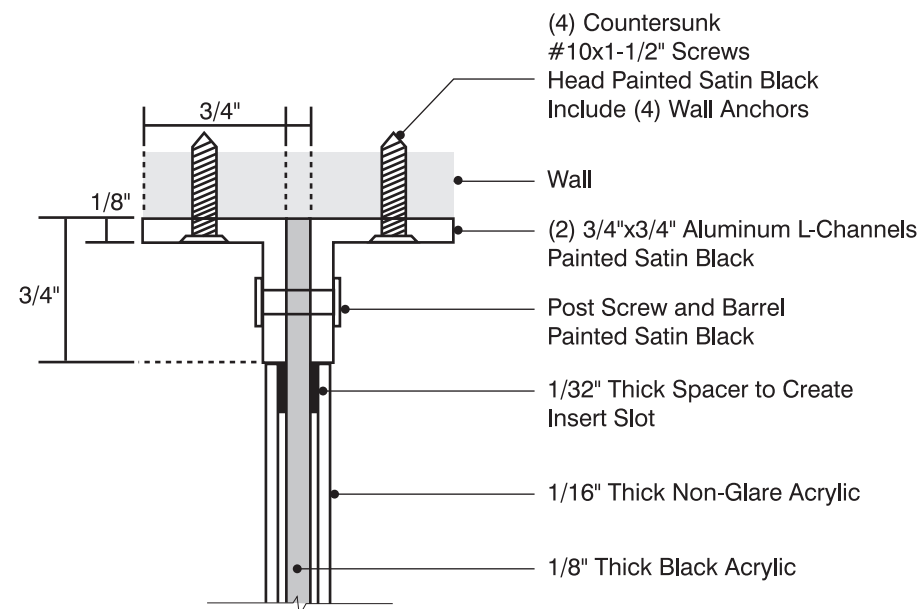
INSERT
WITH KEYHOLE
20mil RIGID VINYL - AKZO NOBEL #419-B1
WITH SURFACE APPLIED BLACK VINYL
5"h SYMBOL



SIDE A



SIDE B



PROJECTING RESTROOM ID - SIGN TYPE J.2
SCALE: 3/8" = 1"

SALES REP
R. REDMON
DESIGNER
T. WEST
DESIGN NO
12-102-04
DATE
10-29-2012

REVISION DATES
① 11-05-2012 TW
② 11-15-2012 TW
③ 12-03-2012 TW
④ 12-06-2012 TW
⑤

VOLTAGE **120V**
240V



SEATTLE • SAN DIEGO

MAIN OFFICE
380 STEVENS AVENUE, SUITE 307
SOLANA BEACH, CA 92075

PHONE: 206.445.0774
WWW.IMAGEGROUPUSA.COM

PRIMARY ELECTRICAL TO SIGN
LOCATIONS IS TO BE PROVIDED BY
OTHERS. 20 AMP DEDICATED
CIRCUIT(S) WITH NO SHARED NEUTRALS
AND A GROUND RETURNING TO THE
PANEL IS REQUIRED FOR ALL
INSTALLATIONS.

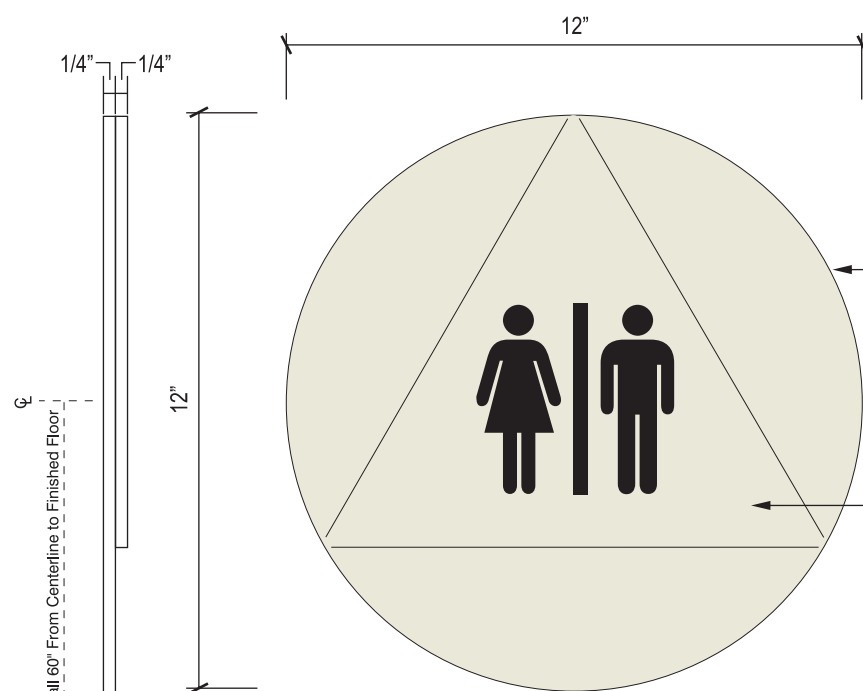
COLORS REPRESENTED IN THIS
DRAWING ARE FOR PRESENTATION
PURPOSES ONLY. THEY MAY NOT MATCH
YOUR FINISHED PRODUCT PERFECTLY.
COLOR CALL-OUTS ARE FOR A MATCH
AS CLOSE AS POSSIBLE.

THIS ORIGINAL DESIGN IS THE SOLE
PROPERTY OF IMAGE GROUP. IT
CANNOT BE REPRODUCED, COPIED OR
EXHIBITED IN WHOLE OR PART,
WITHOUT FIRST OBTAINING WRITTEN
CONSENT FROM IMAGE GROUP.

THIS SIGN IS INTENDED TO BE
INSTALLED IN ACCORDANCE WITH THE
REQUIREMENTS OF ARTICLE 600 OF THE
NATIONAL ELECTRICAL CODE AND/OR
OTHER APPLICABLE LOCAL CODES. THIS
INCLUDES PROPER GROUNDING AND
BONDING OF THE SIGN.

PRODUCTION APPROVAL

CLIENT APPROVAL



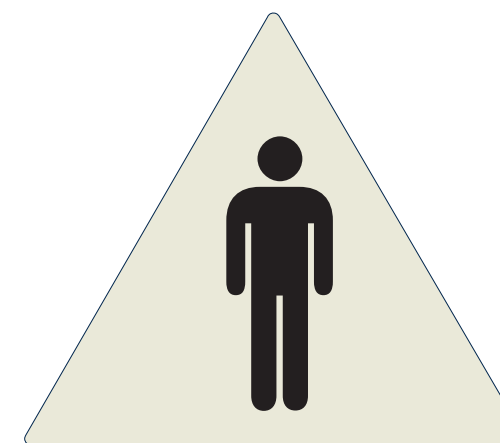
1/4" THICK NON-GLARE
ACRYLIC BACKPLATE
WITH SUBSURFACE COLOR,
AKZO NOBEL #419-B1

INSTALL: VHB TAPE

1/4" THICK NON-GLARE
ACRYLIC FACEPLATE
WITH SUBSURFACE COLOR,
AKZO NOBEL #419-B1
4-3/4" SUBSURFACE APPLIED
VINYL SYMBOL, BLACK



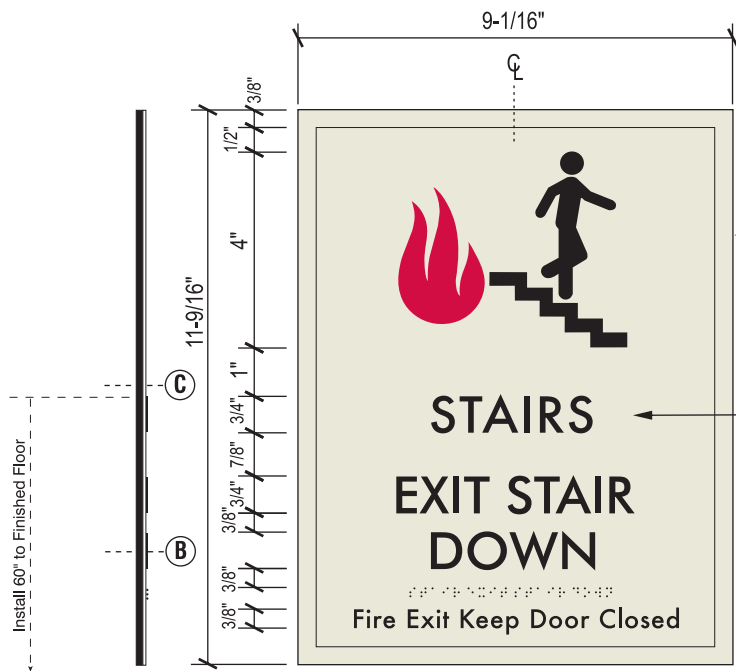
RESTROOM ID - WOMEN - SIGN TYPE J.5
SCALE: 1/4" = 1"



RESTROOM ID - MEN - SIGN TYPE J.4
SCALE: 1/4" = 1"

SIDE VIEW
SCALE: 1/4" = 1"

RESTROOM ID - UNISEX - SIGN TYPE J.3
SCALE: 1/4" = 1"



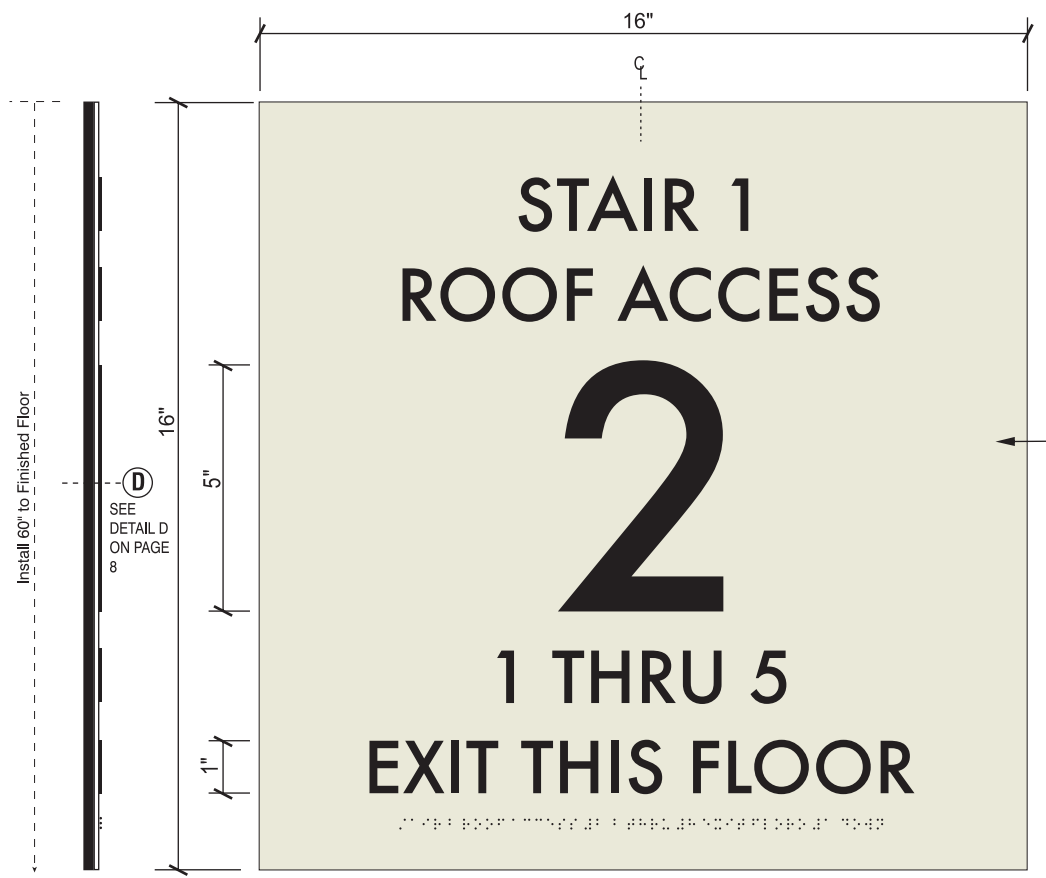
FRAME
 1/8" THICK BLACK ACRYLIC BACKPLATE
 ADHERED TO 1/16" THICK NON-GLARE
 ACRYLIC FACEPLATE WITH SUBSURFACE
 BORDER - AKZO NOBEL #419-B1
 3/4" RAISED BLACK TEXT
 FONT: FUTURA MD BT
 GRADE 2 BRAILLE, CLEAR RASTERS

INSTALL: VHB TAPE

INSERT
 WITH KEYHOLE
 20mil RIGID VINYL - AKZO NOBEL #419-B1
 WITH SURFACE APPLIED BLACK VINYL TEXT
 3M CARDINAL RED FLAME
 4"h SYMBOL

**NOTE: BRAILLE SHOWN BLACK FOR ILLUSTRATION PURPOSES ONLY
 BRAILLE IS CLEAR RASTERS**

SIDE VIEW
 SCALE: 1/4" = 1"
STAIR ID - SIGN TYPE L
 SCALE: 1/4" = 1"

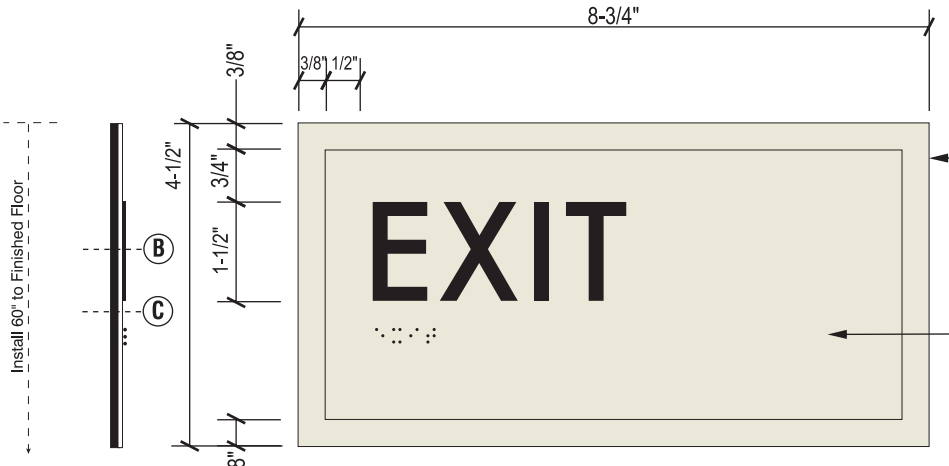


FRAME
 1/8" THICK BLACK ACRYLIC BACKPLATE
 ADHERED TO 1/16" THICK NON-GLARE
 ACRYLIC FACEPLATE WITH SUBSURFACE
 BACKGROUND - AKZO NOBEL #419-B1
 5/8"h RAISED BLACK TEXT
 FONT: FUTURA MD BT
 GRADE 2 BRAILLE, CLEAR RASTERS
 1/2"h RAISED BLACK SPANISH TEXT
 FONT: TIMES BOLD ITALIC

INSTALL: VHB TAPE

**NOTE: BRAILLE SHOWN BLACK FOR ILLUSTRATION PURPOSES ONLY
 BRAILLE IS CLEAR RASTERS**

SIDE VIEW
 SCALE: 1/4" = 1"
STAIR ID - SIGN TYPE L.1
 SCALE: 1/4" = 1"



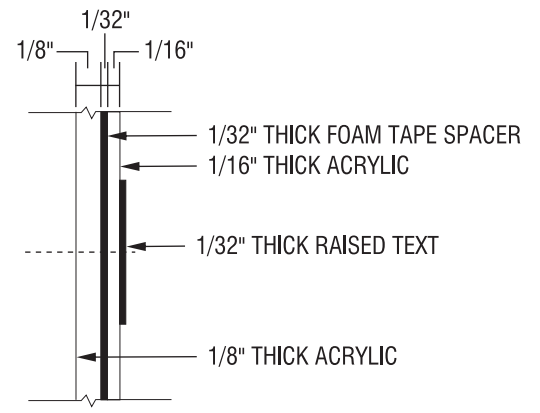
FRAME
 1/8" THICK BLACK ACRYLIC BACKPLATE
 ADHERED TO 1/16" THICK NON-GLARE
 ACRYLIC FACEPLATE WITH SUBSURFACE
 BORDER - AKZO NOBEL #419-B1
 RAISED BLACK TEXT
 FONT: FUTURA MD BT
 GRADE 2 BRAILLE, CLEAR RASTERS

INSTALL: VHB TAPE

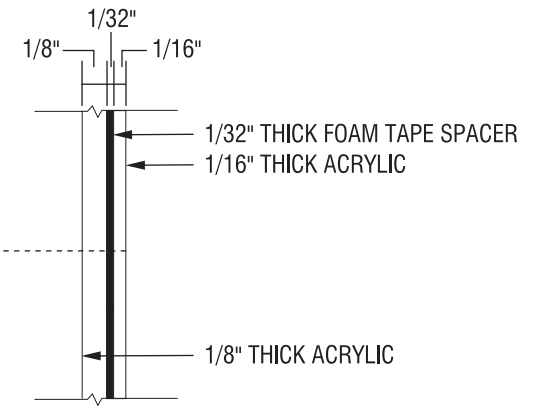
INSERT
 WITH KEYHOLE
 20mil RIGID VINYL - AKZO NOBEL #419-B1
 WITH SURFACE APPLIED BLACK VINYL

**NOTE: BRAILLE SHOWN BLACK FOR ILLUSTRATION PURPOSES ONLY
 BRAILLE IS CLEAR RASTERS**

SIDE VIEW
 SCALE: 3/8" = 1"
EXIT ID - SIGN TYPE M
 SCALE: 3/8" = 1"



DETAIL B - SECTION VIEW
 SCALE: 1" = 1"



DETAIL C - SECTION VIEW
 SCALE: 1" = 1"

CLIENT INFORMATION
SALINAS VALLEY
MEMORIAL HOSPITAL
SALINAS, CA

CARDIAC REHAB

SALES REP
R. REDMON
DESIGNER
T. WEST
DESIGN NO
12-102-04
DATE
10-29-2012

REVISION DATES
 1 11-05-2012 TW
 2 11-15-2012 TW
 3 12-03-2012 TW
 4 12-06-2012 TW
 5

VOLTAGE 120V
 240V



SEATTLE • SAN DIEGO

MAIN OFFICE
 380 STEVENS AVENUE, SUITE 307
 SOLANA BEACH, CA 92075

PHONE: 206.445.0774
WWW.IMAGEGROUPUSA.COM

PRIMARY ELECTRICAL TO SIGN LOCATIONS IS TO BE PROVIDED BY OTHERS. 20 AMP DEDICATED CIRCUIT(S) WITH NO SHARED NEUTRALS AND A GROUND RETURNING TO THE PANEL IS REQUIRED FOR ALL INSTALLATIONS.

COLORS REPRESENTED IN THIS DRAWING ARE FOR PRESENTATION PURPOSES ONLY. THEY MAY NOT MATCH YOUR FINISHED PRODUCT PERFECTLY. COLOR CALL-OUTS ARE FOR A MATCH AS CLOSE AS POSSIBLE.

THIS ORIGINAL DESIGN IS THE SOLE PROPERTY OF IMAGE GROUP. IT CANNOT BE REPRODUCED, COPIED OR EXHIBITED IN WHOLE OR PART, WITHOUT FIRST OBTAINING WRITTEN CONSENT FROM IMAGE GROUP.

THIS SIGN IS INTENDED TO BE INSTALLED IN ACCORDANCE WITH THE REQUIREMENTS OF ARTICLE 600 OF THE NATIONAL ELECTRICAL CODE AND/OR OTHER APPLICABLE LOCAL CODES. THIS INCLUDES PROPER GROUNDING AND BONDING OF THE SIGN.

PRODUCTION APPROVAL

CLIENT APPROVAL



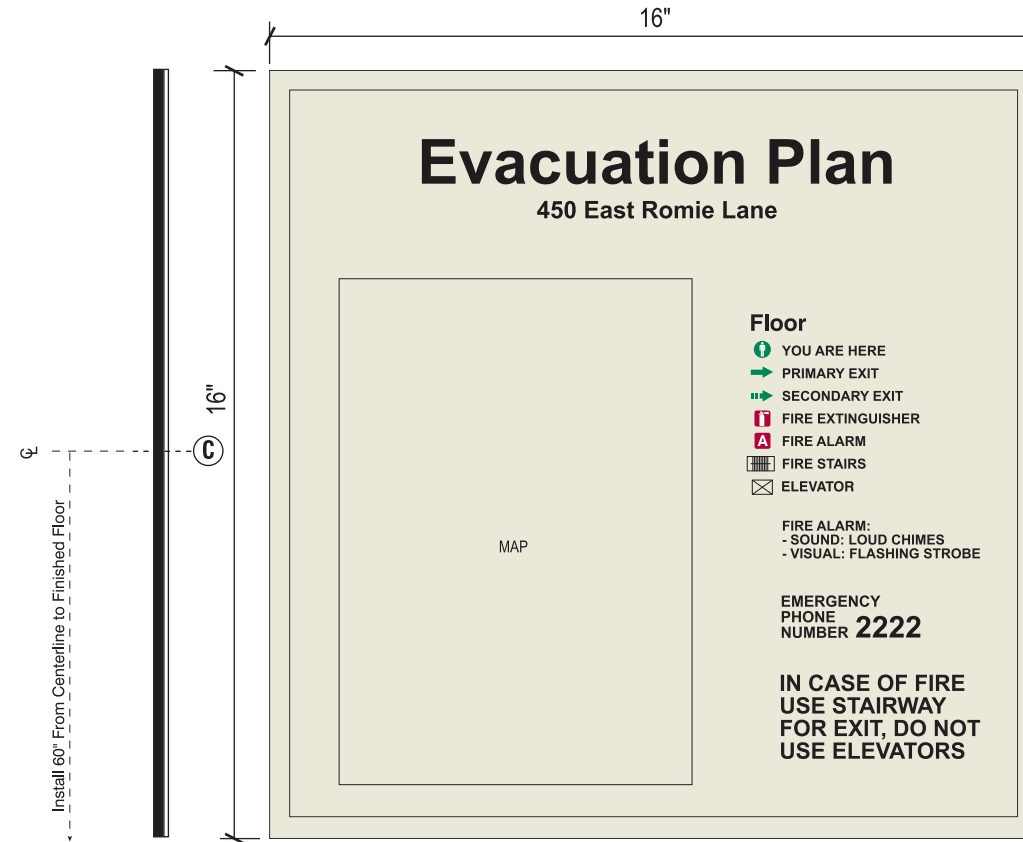
SIDE VIEW
SCALE: 1/4" = 1"

ELEVATOR WARNING - SIGN TYPE P.2
SCALE: 1/4" = 1"

FRAME
1/8" THICK BLACK ACRYLIC BACKPLATE
ADHERED TO 1/16" THICK NON-GLARE
ACRYLIC FACEPLATE WITH SUBSURFACE
BACKGROUND - AKZO NOBEL #419-B1
5/8"h RAISED BLACK TEXT
FONT: FUTURA MD BT
GRADE 2 BRAILLE, CLEAR RASTERS
1/2"h RAISED BLACK SPANISH TEXT
FONT: TIMES BOLD ITALIC

INSTALL: VHB TAPE

NOTE: BRAILLE SHOWN BLACK FOR
ILLUSTRATION PURPOSES ONLY
BRAILLE IS CLEAR RASTERS



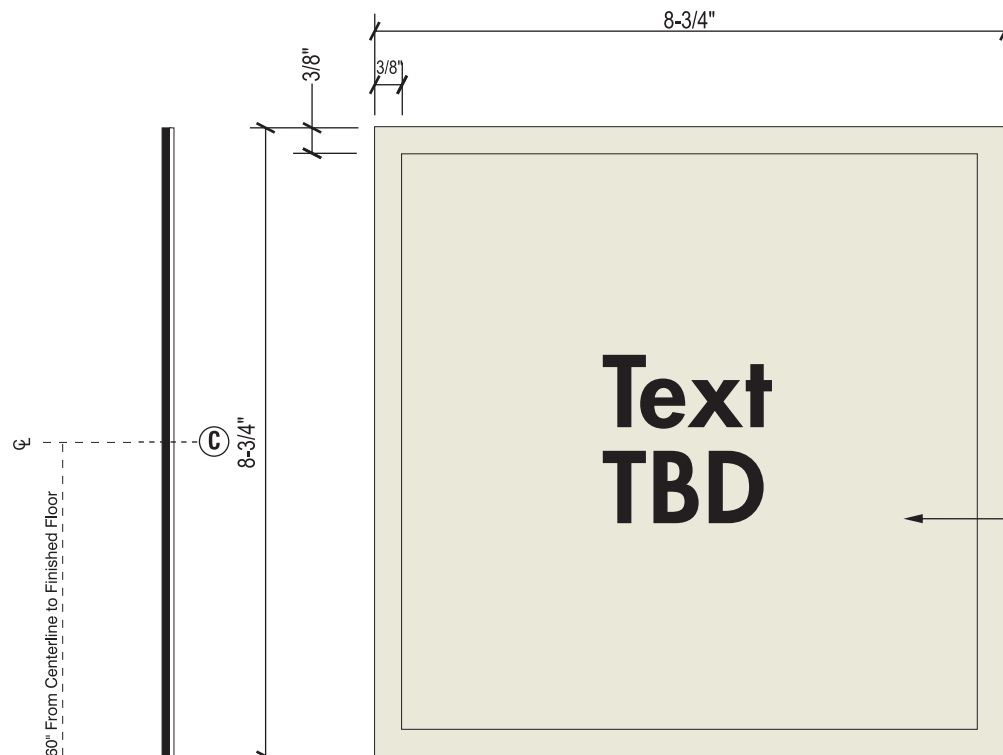
SIDE VIEW
SCALE: 1/4" = 1"

EVACUATION PLAN - SIGN TYPE N
SCALE: 1/4" = 1"

FRAME
1/8" THICK BLACK ACRYLIC BACKPLATE
ADHERED TO 1/16" THICK NON-GLARE
ACRYLIC FACEPLATE WITH SUBSURFACE
BACKGROUND - AKZO NOBEL #419-B1

INSTALL: VHB TAPE

CHANGEABLE INSERT,
DIGITALLY PRINTED
BACKGROUND FINISH
TO COLOR TO MATCH
AKZO NOBEL #419-B1



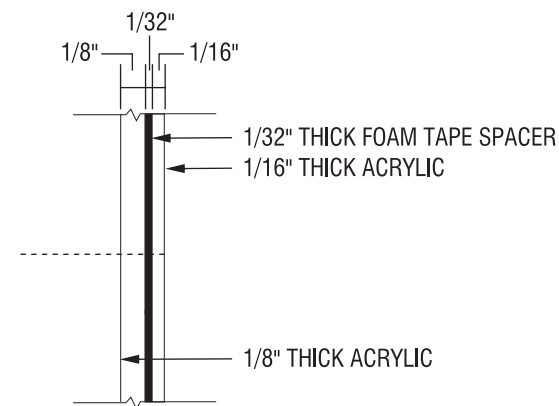
SIDE VIEW
SCALE: 3/8" = 1"

INFORMATIONAL SIGN - SIGN TYPE P
SCALE: 3/8" = 1"

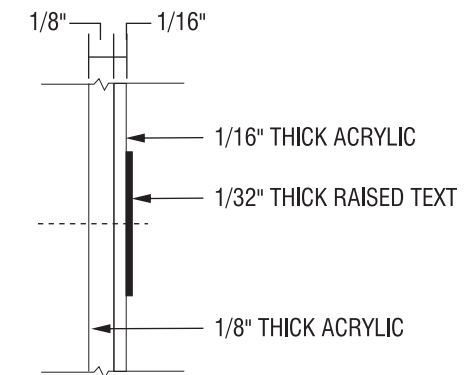
FRAME
1/8" THICK BLACK ACRYLIC BACKPLATE
ADHERED TO 1/16" THICK NON-GLARE
ACRYLIC FACEPLATE WITH SUBSURFACE
BACKGROUND - AKZO NOBEL #419-B1

INSTALL: VHB TAPE

INSERT
WITH KEYHOLE
20mil RIGID VINYL - AKZO NOBEL #419-B1
WITH SURFACE APPLIED BLACK VINYL
BLACK TEXT
FONT: FUTURA MD BT



DETAIL C - SECTION VIEW
SCALE: 1" = 1"



DETAIL D - SECTION VIEW
SCALE: 1" = 1"

CLIENT INFORMATION
**SALINAS VALLEY
MEMORIAL HOSPITAL
SALINAS, CA**

CARDIAC REHAB

SALES REP
R. REDMON
DESIGNER
T. WEST
DESIGN NO
12-102-04
DATE
10-29-2012

REVISION DATES
1 **11-05-2012 TW**
2 **11-15-2012 TW**
3 **12-03-2012 TW**
4 **12-06-2012 TW**
5

VOLTAGE **120V**
240V



SEATTLE • SAN DIEGO

MAIN OFFICE
380 STEVENS AVENUE, SUITE 307
SOLANA BEACH, CA 92075

PHONE: 206.445.0774
WWW.IMAGEGROUPUSA.COM

PRIMARY ELECTRICAL TO SIGN
LOCATIONS IS TO BE PROVIDED BY
OTHERS. 20 AMP DEDICATED
CIRCUIT(S) WITH NO SHARED NEUTRALS
AND A GROUND RETURNING TO THE
PANEL IS REQUIRED FOR ALL
INSTALLATIONS.

COLORS REPRESENTED IN THIS
DRAWING ARE FOR PRESENTATION
PURPOSES ONLY. THEY MAY NOT MATCH
YOUR FINISHED PRODUCT PERFECTLY.
COLOR CALL-OUTS ARE FOR A MATCH
AS CLOSE AS POSSIBLE.

THIS ORIGINAL DESIGN IS THE SOLE
PROPERTY OF IMAGE GROUP. IT
CANNOT BE REPRODUCED, COPIED OR
EXHIBITED IN WHOLE OR PART,
WITHOUT FIRST OBTAINING WRITTEN
CONSENT FROM IMAGE GROUP.

THIS SIGN IS INTENDED TO BE
INSTALLED IN ACCORDANCE WITH THE
REQUIREMENTS OF ARTICLE 600 OF THE
NATIONAL ELECTRICAL CODE AND/OR
OTHER APPLICABLE LOCAL CODES. THIS
INCLUDES PROPER GROUNDING AND
BONDING OF THE SIGN.

PRODUCTION APPROVAL

CLIENT APPROVAL